

0CK50-M00040EN

# P R E F A C E

1. This Parts Catalog carries Yanmar excavator (crawler back-hoe) VI025-6A for U.S.A., Australia, New Zealand.

(M/# 60501~)

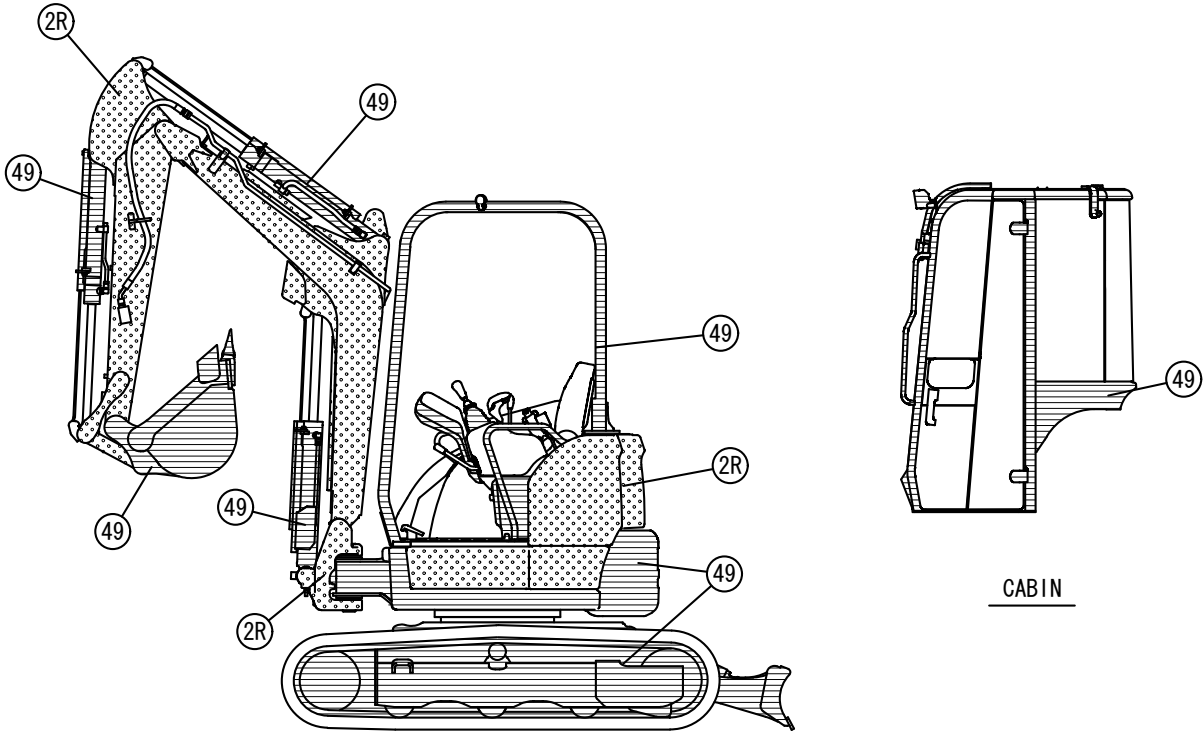
2. Parts catalog history



		Model	Published	Remarks
1st edition	Vehicle	VI025-6A (US, AS, NZ)	Apr. , 2014	
	Engine	3TNV80F-SXNBV		

3. Your understanding is asking that this parts catalog is not a technical data manual setting forth as servicing procedures, This parts catalog is using simplified illustration.

Be sure to use Yanmar Genuine Parts in your maintenance servicing of Yanmar products. Be careful not to use the simple parts available in the market, otherwise their use in repairing causes such as an early breakage, for instance.

# VEHICLE PAINTED COLOR



Color Code	Description	Painted Color	Paint Part No.		
			16L Can	4L Can	SPRAY
2R		YANMAR Turmeric Yellow	-----	977620-41001	977620-41002
49		YANMAR Navy Gray	-----	TOR-91390000	TOR-94800490

# PICTURESQUE INDEX (1) ■ ■ ■ MAIN PARTS

1. LABEL & ACCESSORY  
Fig. 1~6, 147

16. OPTIONAL & KIT  
Fig. 145, 146

3. ELECTRICAL PARTS  
Fig. 22~35

4. AIR CONDITIONER & HEATER  
Fig. 36

14. HYDRAULIC OIL PIPING  
Fig. 115~133

11. CANOPY  
Fig. 77~79

12. CABIN  
Fig. 80~87, 148

9. AROUND SEAT  
Fig. 63~72

2. ENGINE RELATED  
Fig. 7~21

10. BONNET  
Fig. 73~76

6. CONTROL EQUIPMENT  
Fig. 44~50

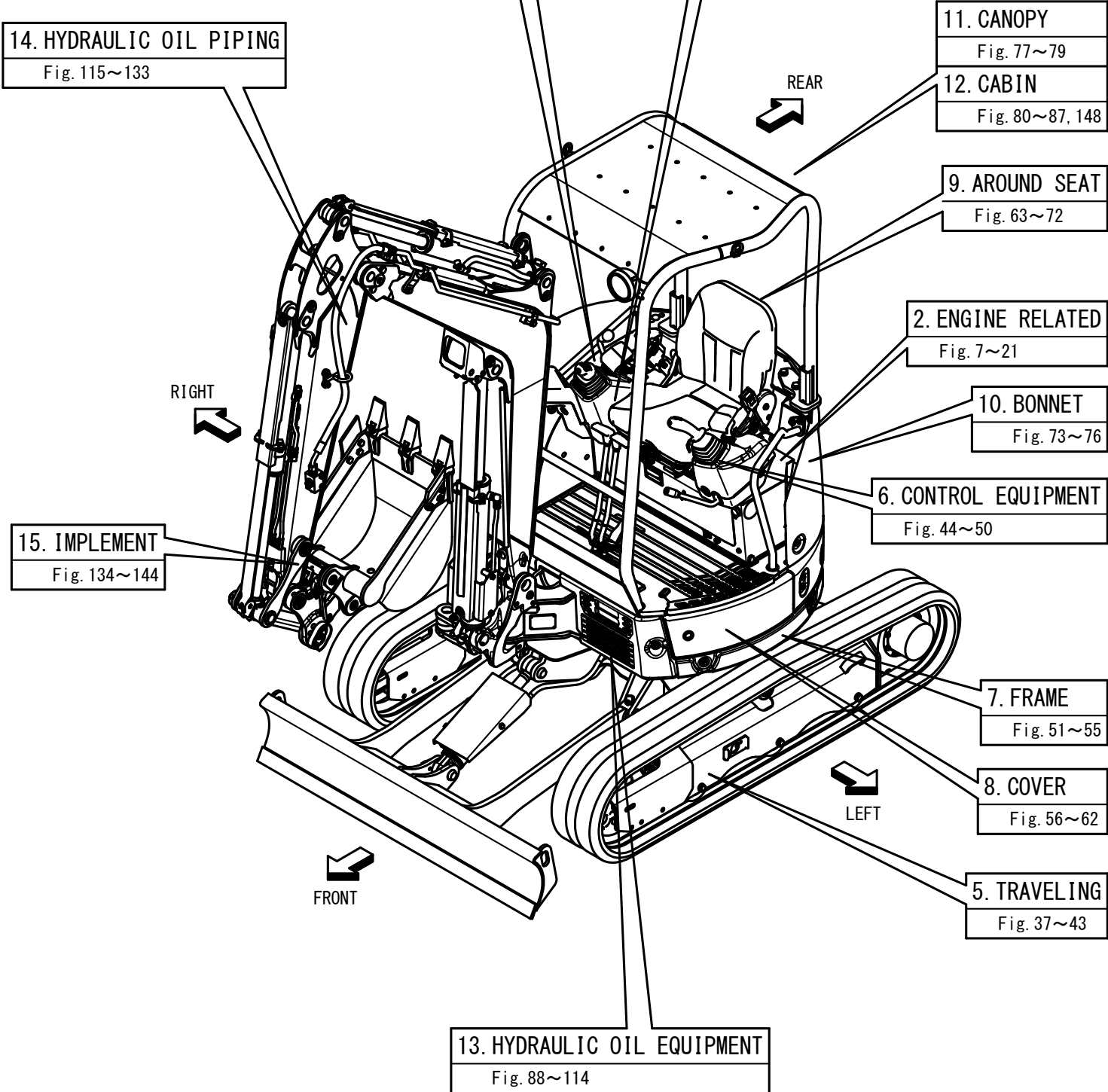
15. IMPLEMENT  
Fig. 134~144

7. FRAME  
Fig. 51~55

8. COVER  
Fig. 56~62

5. TRAVELING  
Fig. 37~43

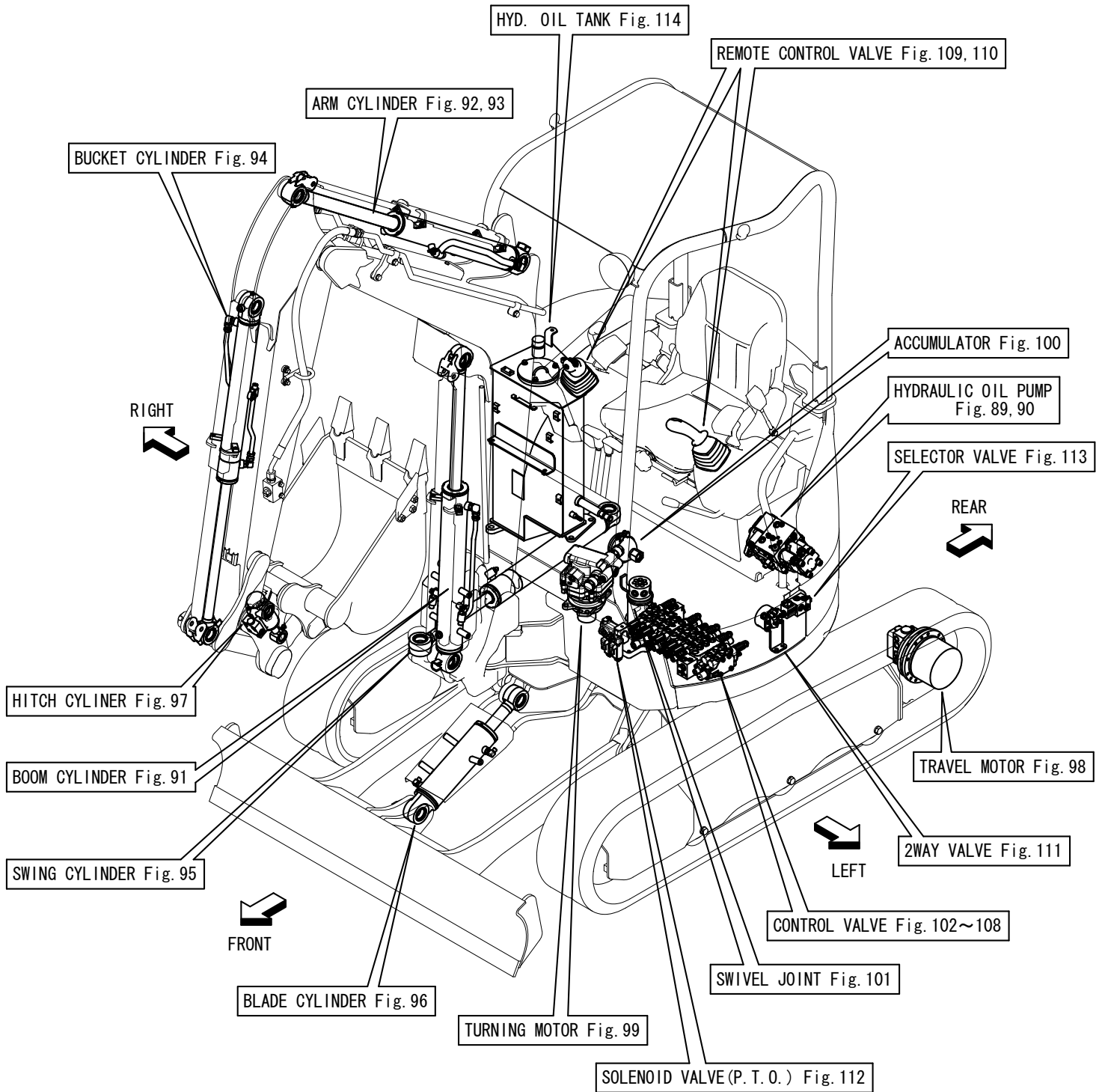
13. HYDRAULIC OIL EQUIPMENT  
Fig. 88~114



# PICTURESQUE INDEX (2) ■ ■ ■ HYDRAULIC SECTION

HYD. OIL PIPING Fig. 115~130

CONTROL PIPING Fig. 132, 133



# Contents

OCK50-M00040

Fig. No. Fig. Name

## LABEL & ACCESSORY

1. LABEL(EXTERIOR)(TO MAF000)
147. (1A)LABEL(EXTERIOR)(FROM MAF001)
2. LABEL(BONNET INSIDE)
3. LABEL(CANOPY)
4. LABEL(CABIN)
5. LABEL(QUICK COUPLER)
6. ACCESSORY

## ENGINE RELATED

7. MUFFLER
8. AIR CLEANER
9. AIR CLEANER(W)
10. ACCELERATOR(BRACKET)
11. ACCELERATOR(BRACKET)(AUTO DECELERATION)
12. ACCELERATOR
13. ACCELERATOR(AUTO DECELERATION)
14. ENGINE MOUNT
15. RADIATOR SHROUD
16. RADIATOR & SUB TANK
17. RADIATOR HOSE
18. DUCT
19. DUCT(AUTO DECELERATION)
20. FUEL TANK
21. FUEL PIPING

Fig. No. Fig. Name

## ELECTRICAL PARTS

22. AROUND THE ENGINE
23. BATTERY(MINUS CABLE)
24. HORN
25. STARTER SWITCH
26. SEAT MOUNT
27. PRESSURE SWITCH
28. TRAVEL ALARM
29. AUTO DECELERATION
30. QUICK COUPLER(SWITCH BOX)
31. WORK LAMP
32. INSTRUMENT PANEL
33. HEATER
34. BRACKET(GPS)
35. PLUG

## AIR CONDITIONER & HEATER

36. HEATER

## TRAVELING

37. SPROCKET
38. IDLER & ADJUST(RUBBER CRAWLER SPEC.)
39. IDLER & ADJUST(IRON CRAWLER SPEC.)
40. TRACK ROLLER(Y SPEC.)(TO M60501)

# Contents

0CK50-M00040

Fig. No. Fig. Name

- 41. TRACK ROLLER(K SPEC.)(FROM M60502)
- 42. CARRIER ROLLER
- 43. CRAWLER

## CONTROL EQUIPMENT

- 44. TRAVEL PEDAL
- 45. CONTROL VALVE PLATE
- 46. TRAVEL LEVER
- 47. LEVER SPACER
- 48. BLADE LEVER
- 49. ARMREST
- 50. LOCK LEVER & STAND

## FRAME

- 51. TRAVEL FRAME
- 52. CRAWLER GUARD
- 53. COUNTER WEIGHT
- 54. TURNING FRAME
- 55. TURNING BEARING

## COVER

- 56. COVER(MULTI)
- 57. COVER(TURNING FRAME)
- 58. COVER(TRAVEL FRAME)
- 59. FRAME GUARD(LEFT)

Fig. No. Fig. Name

- 60. FRAME GUARD(RIGHT)
- 61. COVER(TURNING FRAME)(FRONT - LEFT)
- 62. COVER(TURNING FRAME)(FRONT - RIGHT)

## AROUND SEAT

- 63. STEP(CANOPY)
- 64. STEP(CABIN)
- 65. COVER(MONITOR)(CANOPY)
- 66. COVER(MONITOR)(CABIN)
- 67. COVER(LEVER)
- 68. SEAT MOUNT
- 69. COVER(SEAT MOUNT)
- 70. SEAT
- 71. SEAT(INNER PARTS)
- 72. HANDRAIL

## BONNET

- 73. BONNET(REAR)
- 74. BONNET(FRONT)
- 75. BONNET(LEFT)
- 76. BONNET(RIGHT)

## CANOPY

- 77. CANOPY
- 78. CANOPY LAMP

# Contents

OCK50-M00040

Fig. No. Fig. Name

79. CANOPY MOUNT

## CABIN

80. CABIN(Accessory)(T SPEC.)(TO MAF295)

81. CABIN(EXTERIOR)

82. CABIN(INTERIOR)

83. CABIN(GLASS)

84. CABIN(WIPER & WINDOW WASHER)

85. CABIN(ELECTRIC PARTS)

86. CABIN DOOR

87. CABIN(FRONT WINDOW)

148. (87A)CABIN(Accessory)(Y SPEC.)(FROM MAF296)

## HYDRAULIC OIL EQUIPMENT

88. HYDRAULIC PUMP MOUNT

89. HYDRAULIC PUMP

90. HYDRAULIC PUMP(QUICK COUPLER SPEC.)

91. BOOM CYLINDER

92. ARM CYLINDER

93. ARM CYLINDER(QUICK COUPLER SPEC.)

94. BUCKET CYLINDER

95. SWING CYLINDER

96. BLADE CYLINDER

97. HITCH CYLINDER

98. TRAVEL MOTOR

Fig. No. Fig. Name

99. TURNING MOTOR

100. ACCUMULATOR

101. SWIVEL JOINT

102. CONTROL VALVE(1/7)

103. CONTROL VALVE(2/7)

104. CONTROL VALVE(3/7)

105. CONTROL VALVE(4/7)

106. CONTROL VALVE(5/7)

107. CONTROL VALVE(6/7)

108. CONTROL VALVE(7/7)

109. REMOTE CONTROL VALVE(RIGHT)

110. REMOTE CONTROL VALVE(LEFT)

111. 2-WAY VALVE

112. SOLENOID VALVE(P.T.O.)

113. SELECTOR VALVE

114. HYD. OIL TANK

## HYDRAULIC OIL PIPING

115. TANK - PUMP & CONTROL VALVE

116. CONTROL VALVE - TURNING MOTOR

117. CONTROL VALVE(FITTING)(1)

118. CONTROL VALVE(FITTING)(2)

119. CONTROL VALVE(FITTING)(3)

120. CONTROL VALVE - RETURN & DRAIN

121. CONTROL VALVE - BOOM & SWING



# Contents

OCK50-M00040

Fig. No. Fig. Name

- 122. CONTROL VALVE - SWIVEL JOINT
- 123. TRAVEL FRAME
- 124. ARM & BUCKET LINK
- 125. P.T.O.(CONTROL VALVE - BOOM)
- 126. P.T.O.(BOOM - ARM END)
- 127. P.T.O.(SOLENOID VALVE & SELECTOR VALVE)
- 128. QUICK COUPLER(1)(US, NZ SPEC.)
- 129. QUICK COUPLER(1)(AS SPEC.)
- 130. QUICK COUPLER(2)
- 131. CONTROL PIPING(1)
- 132. CONTROL PIPING(2)
- 133. GREASING

## IMPLEMENT

- 134. BOOM BRACKET
- 135. BOOM
- 136. ARM
- 137. BUCKET ARM & LINK
- 138. QUICK COUPLER(BODY)
- 139. BUCKET
- 140. BUCKET PIN
- 141. BUCKET PIN(QUICK COUPLER SPEC.)
- 142. COVER(BOOM)
- 143. PLUG(IMPLEMENT)
- 144. BLADE

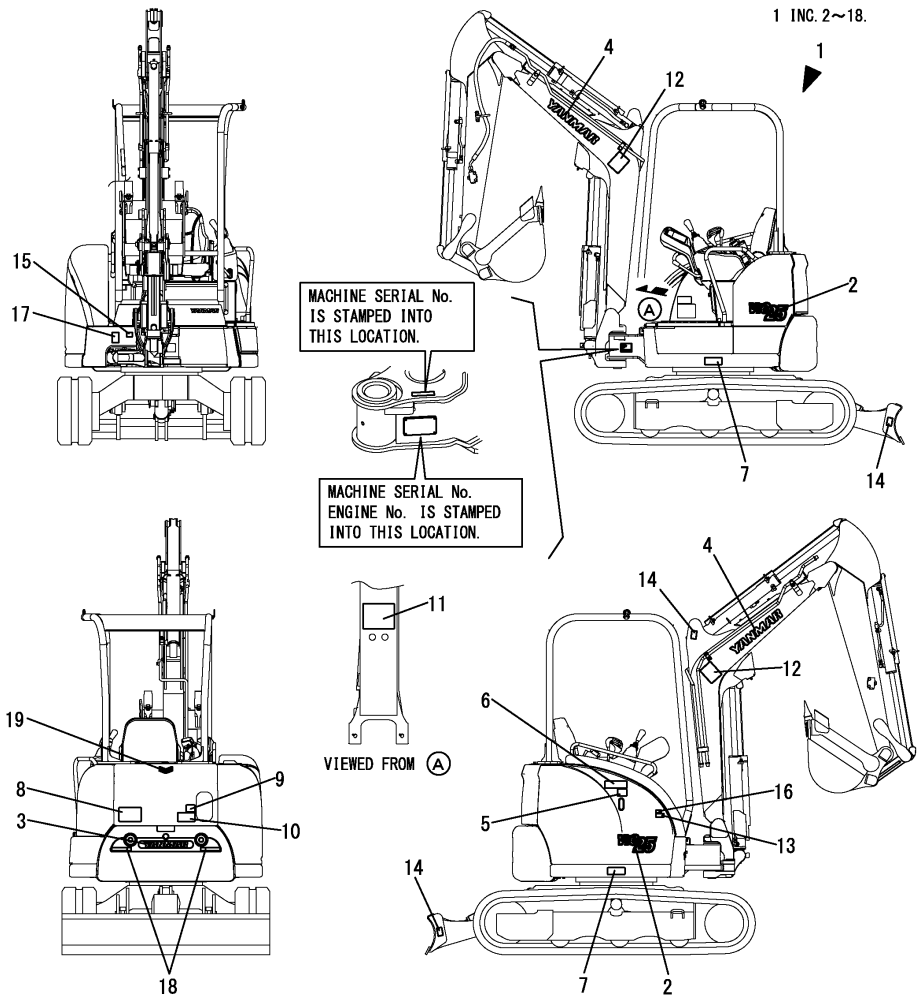
Fig. No. Fig. Name

## OPTIONAL & KIT

- 145. LABEL KIT(FOR CANADA)(OPTIONAL)
- 146. REMOTE CONTROLLER KIT(OPTIONAL)



Fig.147. (1A)LABEL(EXTERIOR)(FROM MAF001)



(A)=VIO25-6A P(US)  
 (B)=VIO25-6A C(US)  
 (C)=VIO25-6A P(AS)

(D)=VIO25-6A C(AS)  
 (E)=VIO25-6A P(NZ)  
 (F)=VIO25-6A C(NZ)

No.	Lev.	Parts No.	Description	Q'ty						I	R
				(A)	(B)	(C)	(D)	(E)	(F)		
1	1	172B16-08131	LABEL SET,OUT US D	1	1	1	1	1	1		
2	2	172B16-03570	LABEL,MODEL VIO25	2	2	2	2	2	2		
3	2	172B16-03790	LABEL,REAR 25	1	1	1	1	1	1		
4	2	172A86-03790	LABEL,YANMAR 450 B	2	2	2	2	2	2		
5	2	172463-03290	LABEL, HYD.OIL	1	1	1	1	1	1		
6	2	172437-03322	LABEL, RESEVOIR	1	1	1	1	1	1		
7	2	172437-03352	LABEL, CYLINDER	2	2	2	2	2	2		
8	2	172437-03381	LABEL, SWING AREA	1	1	1	1	1	1		
9	2	172437-03402	LABEL, ENGINE COVER	1	1	1	1	1	1		
10	2	172A36-03411	LABEL, ENGINE ROOM	1	1	1	1	1	1		
11	2	172437-03432	LABEL, STEERING	1	1	1	1	1	1		
12	2	172437-03461	LABEL, BOOM	2	2	2	2	2	2		
13	2	172437-03501	LABEL, FUEL	1	1	1	1	1	1		
14	2	172437-03511	LABEL, HOOK	3	3	3	3	3	3		
15	2	172A29-03800	LABEL, GREASE US	1	1	1	1	1	1		
16	2	114110-07761	LABEL, FUEL OIL CAUT	1	1	1	1	1	1		
17	2	172B16-03270	LABEL,PTO SELECT	1	1	1	1	1	1		
18	2	172B04-03980	LABEL, REFLECTOR M	2	2	2	2	2	2		
19	1	172B02-03300	EMBLEM ASSY,FY M1 Y	1	1	1	1	1	1		

SAFETY LABEL

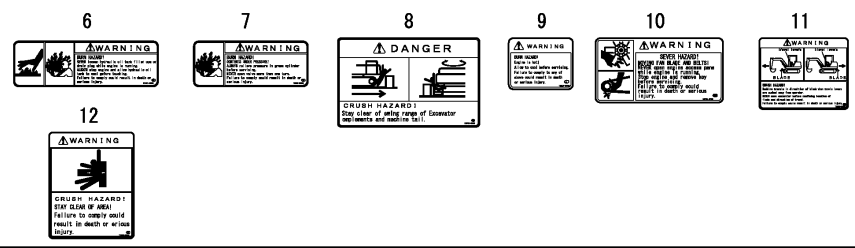
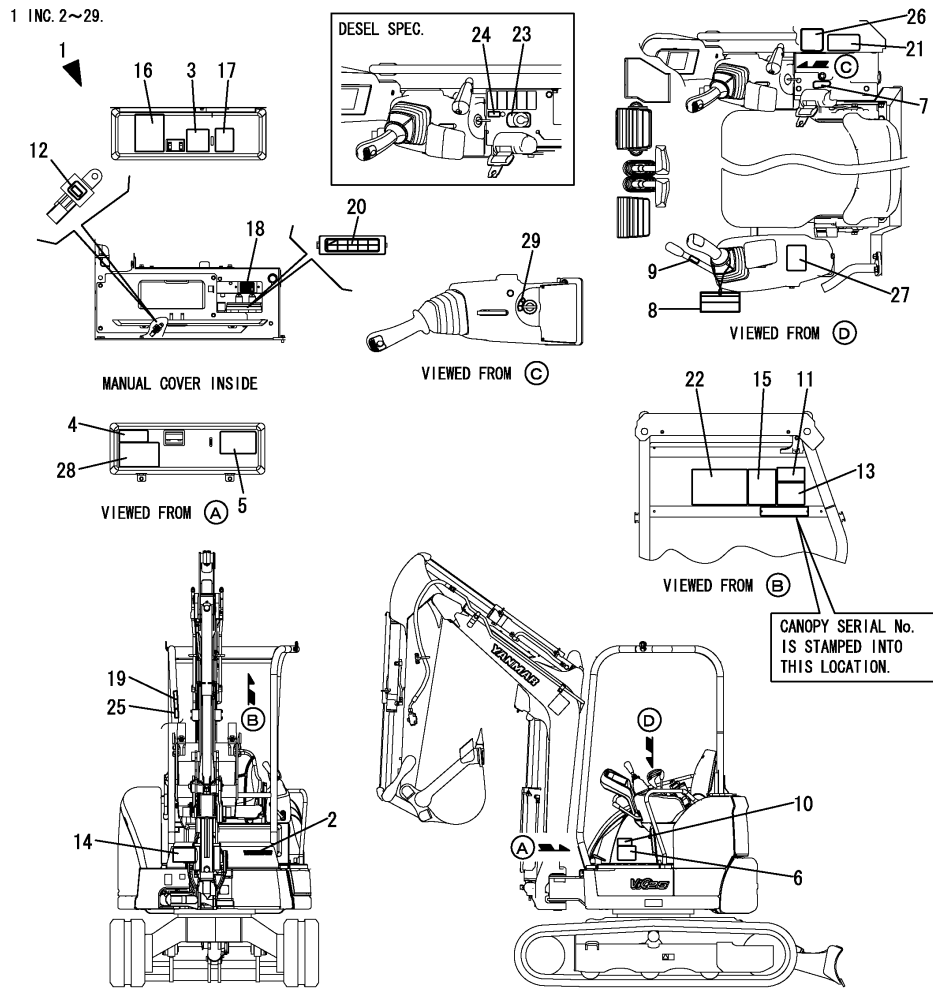




Fig.3. LABEL(CANOPY)



(A)=VIO25-6A P(US)  
 (B)=VIO25-6A C(US)  
 (C)=VIO25-6A P(AS)

(D)=VIO25-6A C(AS)  
 (E)=VIO25-6A P(NZ)  
 (F)=VIO25-6A C(NZ)

No.	Lev.	Parts No.	Description	Q'ty						I	R
				(A)	(B)	(C)	(D)	(E)	(F)		
1	1	172B16-08240	LABEL SET,4P US	1	1		1				
2	2	172B16-03180	LABEL,BRANDLOGO 200	1	1		1				
3	2	172437-03242	LABEL, CRAWLER	1	1		1				
4	2	172B16-03110	LABEL, SPEC US	1	1		1				
5	2	172472-03141	LABEL, SUPPORT	1	1		1				
6	2	172B16-03200	LABEL, OPERATION US	1	1		1				
7	2	172458-03220	LABEL, ACCELERATOR	1	1		1				
8	2	172437-03252	TAG ASSY, CAUTION	1	1		1				
9	2	172183-03280	LABEL, LOCK	1	1		1				
10	2	172437-03302	LABEL, MANUAL	1	1		1				
11	2	172437-03312	LABEL, SLOPE	1	1		1				
12	2	172B16-03310	LABEL, FUSE	1	1		1				
13	2	172437-03343	LABEL, TRANSPORT	1	1		1				
14	2	172437-03361	LABEL, BATTERY	1	1		1				
15	2	172437-03372	LABEL, NEUTRAL	1	1		1				
16	2	172B16-03380	LABEL,OIL/WATER US	1	1		1				
17	2	172B16-03430	LABEL, GREASING US	1	1		1				
18	2	172B16-03440	LABEL, FUSE BOX US	1	1		1				
19	2	172437-03451	LABEL, SEAT BELT	1	1		1				
20	2	172B16-03461	LABEL, RELAY BOX US	1	1		1				
21	2	172437-03471	LABEL, LEVER LOCK	1	1		1				
22	2	172B16-03480	LABEL,LIFT EX	1	1		1				
23	2	172A69-03220	LABEL,ACCELERATOR	1	1		1				
24	2	172B16-03220	LABEL,WARNING	1	1		1				
25	2	172437-03441	LABEL, ROPS	1	1		1				
26	2	172B16-03250	LABEL,OPERATION US	1	1		1				
27	2	172B16-03470	LABEL,PTO EX	1	1		1				
28	2	172437-03601	LABEL, 2-WAY US	1	1		1				
29	2	172B03-03220	LABEL,SW	1	1		1				

SAFETY LABEL

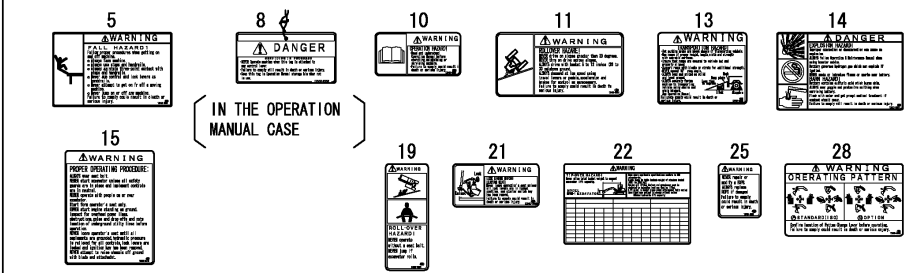
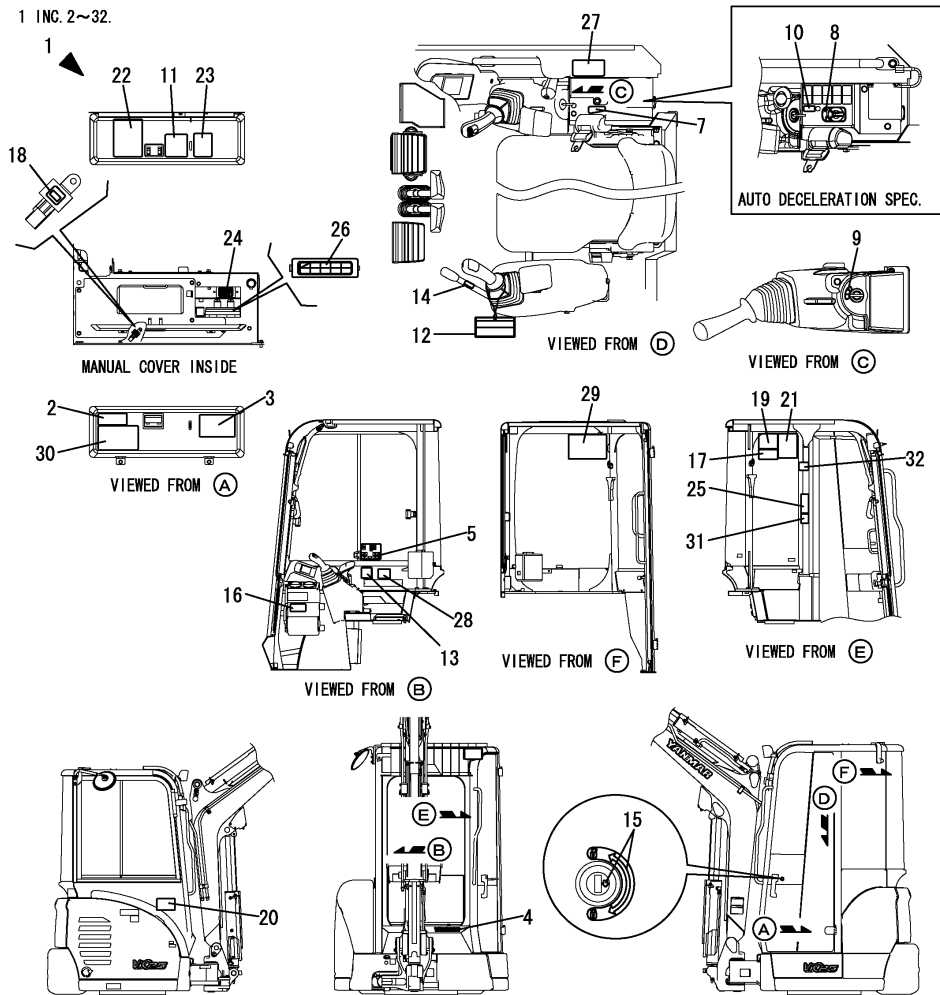


Fig.4. LABEL(CABIN)



(A)=VIO25-6A P(US)  
 (B)=VIO25-6A C(US)  
 (C)=VIO25-6A P(AS)  
 (D)=VIO25-6A C(AS)  
 (E)=VIO25-6A P(NZ)  
 (F)=VIO25-6A C(NZ)

No.	Lev.	Parts No.	Description	Q'ty						I	R
				(A)	(B)	(C)	(D)	(E)	(F)		
1	1	172B16-08270	LABEL SET,CAB US	1			1			1	
2	2	172B16-03110	LABEL, SPEC US		1		1			1	
3	2	172472-03141	LABEL, SUPPORT		1		1			1	
4	2	172B16-03180	LABEL,BRANDLOGO 200		1		1			1	
5	2	172B16-03200	LABEL, OPERATION US		1		1			1	
7	2	172458-03220	LABEL, ACCELERATOR		1		1			1	
8	2	172A69-03220	LABEL,ACCELERATOR		1		1			1	
9	2	172B03-03220	LABEL,SW		1		1			1	
10	2	172B16-03220	LABEL,WARNING		1		1			1	
11	2	172437-03242	LABEL, CRAWLER		1		1			1	
12	2	172437-03252	TAG ASSY, CAUTION		1		1			1	
13	2	172B16-03250	LABEL,OPERATION US		1		1			1	
14	2	172183-03280	LABEL, LOCK		1		1			1	
15	2	172B16-03280	LABEL,DOOR KEY LOCK		1		1			1	
16	2	172437-03302	LABEL, MANUAL		1		1			1	
17	2	172437-03312	LABEL, SLOPE		1		1			1	
18	2	172B16-03310	LABEL, FUSE		1		1			1	
19	2	172437-03343	LABEL, TRANSPORT		1		1			1	
20	2	172437-03361	LABEL, BATTERY		1		1			1	
21	2	172437-03372	LABEL, NEUTRAL		1		1			1	
22	2	172B16-03380	LABEL,OIL/WATER US		1		1			1	
23	2	172B16-03430	LABEL, GREASING US		1		1			1	
24	2	172B16-03440	LABEL, FUSE BOX US		1		1			1	
25	2	172437-03451	LABEL, SEAT BELT		1		1			1	
26	2	172B16-03461	LABEL, RELAY BOX US		1		1			1	
27	2	172437-03471	LABEL, LEVER LOCK		1		1			1	
28	2	172B16-03470	LABEL,PTO EX		1		1			1	
29	2	172B16-03480	LABEL,LIFT EX		1		1			1	
30	2	172437-03601	LABEL, 2-WAY US		1		1			1	
31	2	172437-03441	LABEL, ROPS		1		1			1	
32	2	172437-03551	LABEL, WINDOW US		1		1			1	

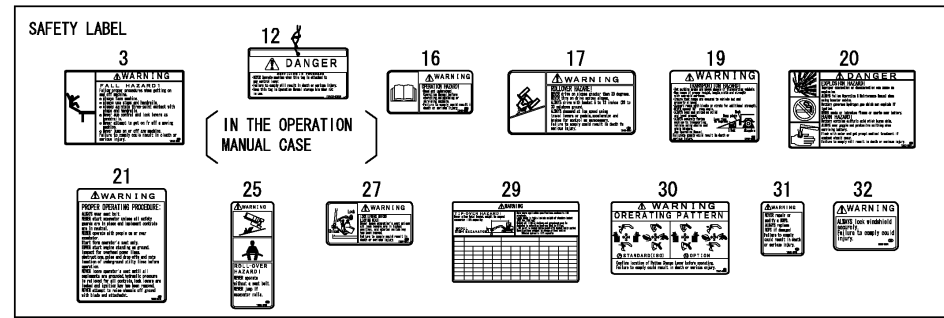
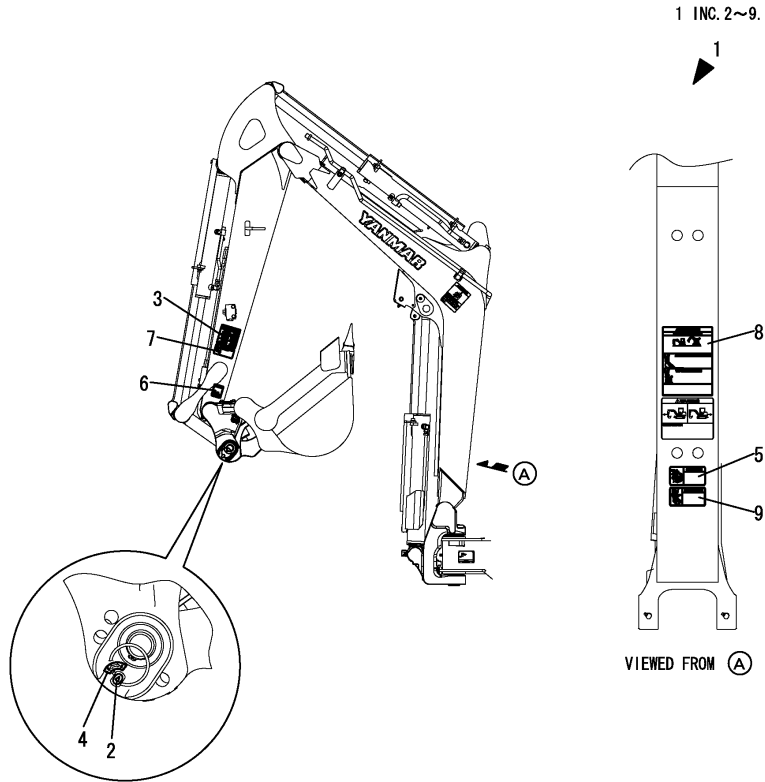


Fig.5. LABEL(QUICK COUPLER)

(A)=VIO25-6A P(US)  
 (B)=VIO25-6A C(US)  
 (C)=VIO25-6A P(AS)

(D)=VIO25-6A C(AS)  
 (E)=VIO25-6A P(NZ)  
 (F)=VIO25-6A C(NZ)

No.	Lev.	Parts No.	Description	Q'ty						I	R
				(A)	(B)	(C)	(D)	(E)	(F)		
1	1	172B03-08200	LABEL SET,Q EX	1	1			1	1		
2	2	172958-03160	LABEL	1	1			1	1		
3	2	172472-03230	LABEL, OPERATION	1	1			1	1		
4	2	172458-03240	LABEL, LOCK	1	1			1	1		
5	2	172472-03241	LABEL, PIN US	1	1			1	1		
6	2	172472-03261	LABEL, FINGER	1	1			1	1		
7	2	172472-03330	LABEL, LOCK PIN	1	1			1	1		
8	2	172B03-04400	LABEL,WARNING HITCH	1	1			1	1		
9	2	172B03-04410	LABEL,SAND US	1	1			1	1		



VIEWED FROM (A)

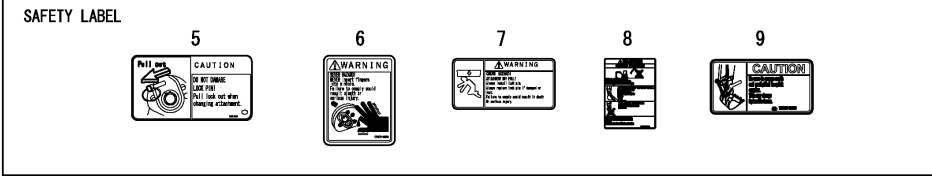


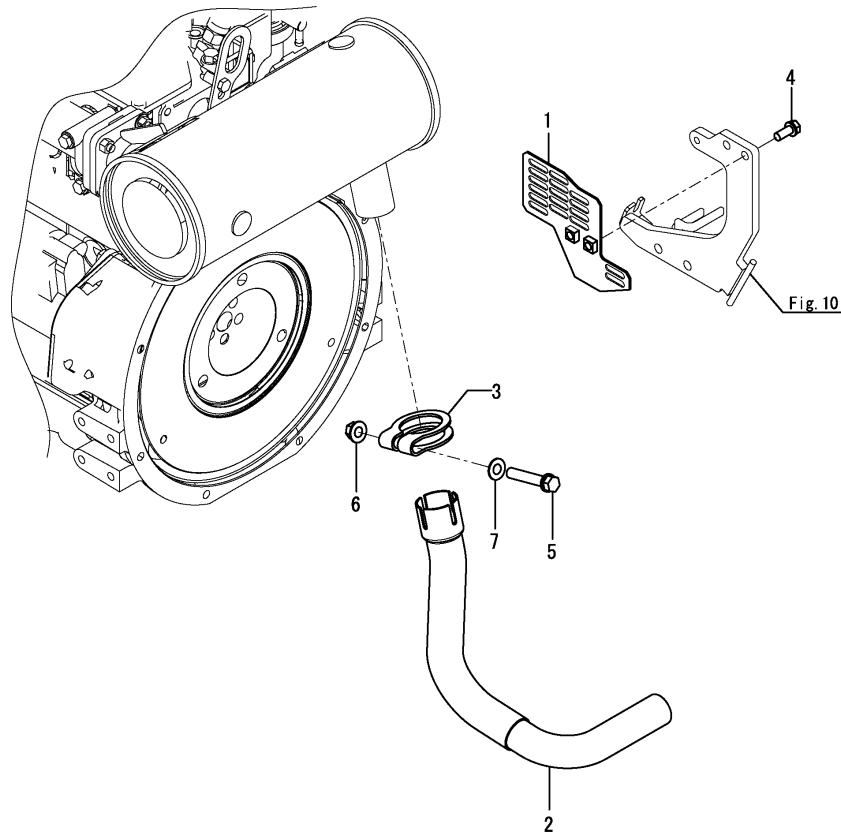




Fig.7. MUFFLER

(A)=VIO25-6A P(US)  
 (B)=VIO25-6A C(US)  
 (C)=VIO25-6A P(AS)

(D)=VIO25-6A C(AS)  
 (E)=VIO25-6A P(NZ)  
 (F)=VIO25-6A C(NZ)

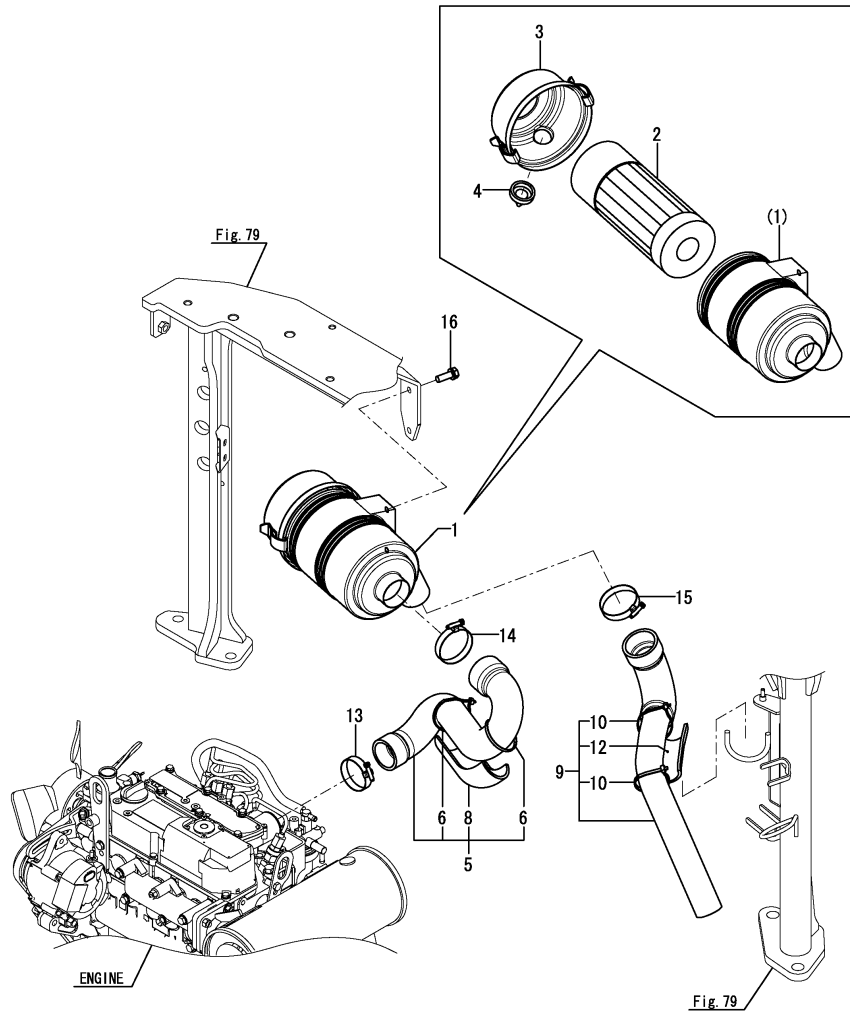


No.	Lev.	Parts No.	Description	Q'ty						I	R
				(A)	(B)	(C)	(D)	(E)	(F)		
1	1	172B16-11300	GUARD ASSY,MUFFLER	1	1	1	1	1	1		
2	1	172B16-11350	PIPE ASSY, EXHAUST	1	1	1	1	1	1		
3	1	172487-11400	CLAMP	1	1	1	1	1	1		
4	1	26013-080202	BOLT, M8X 20	2	2	2	2	2	2		
5	1	26013-100552	BOLT, M10X 55	1	1	1	1	1	1		
6	1	26366-100002	NUT, M10	1	1	1	1	1	1		
7	1	22137-100000	WASHER, 10	1	1	1	1	1	1		W
		(A=*2014.05)	(B=*2014.05)	(C=*2014.05)	(D=*2014.05)	(E=*2014.05)	(F=*2014.05)				

Fig.8. AIR CLEANER

(A)=VIO25-6A P(US)  
 (B)=VIO25-6A C(US)  
 (C)=VIO25-6A P(AS)

(D)=VIO25-6A C(AS)  
 (E)=VIO25-6A P(NZ)  
 (F)=VIO25-6A C(NZ)



No.	Lev.	Parts No.	Description	Q'ty						I	R
				(A)	(B)	(C)	(D)	(E)	(F)		
1	1	172B16-11510	AIR CLEANER ASSY	1	1						
2	2	119808-12520	ELEMENT, OUTER	1	1						
3	2	119808-12530	COVER	1	1						1
4	2	119808-12540	VALVE, UNLOAD	1	1						
4A	1	172125-03951	LABEL, AIR CLEANER	1	1						2
5	1	172B16-11550	HOSE ASSY, AIR/C A	1	1						
6	2	172126-11510	BAND	2	2						
8	2	172A23-11600	INSULATOR	1	1						
9	1	172B16-11560	HOSE ASSY, AIR/C B	1	1						
10	2	172126-11510	BAND	2	2						
12	2	172A23-11600	INSULATOR	1	1						
13	1	23000-060000	CLAMP, 60	1	1						
14	1	23000-070000	CLAMP, 70	1	1						
15	1	23000-070000	CLAMP, 70	1	1						
16	1	26013-080202	BOLT, M8X 20	2	2						

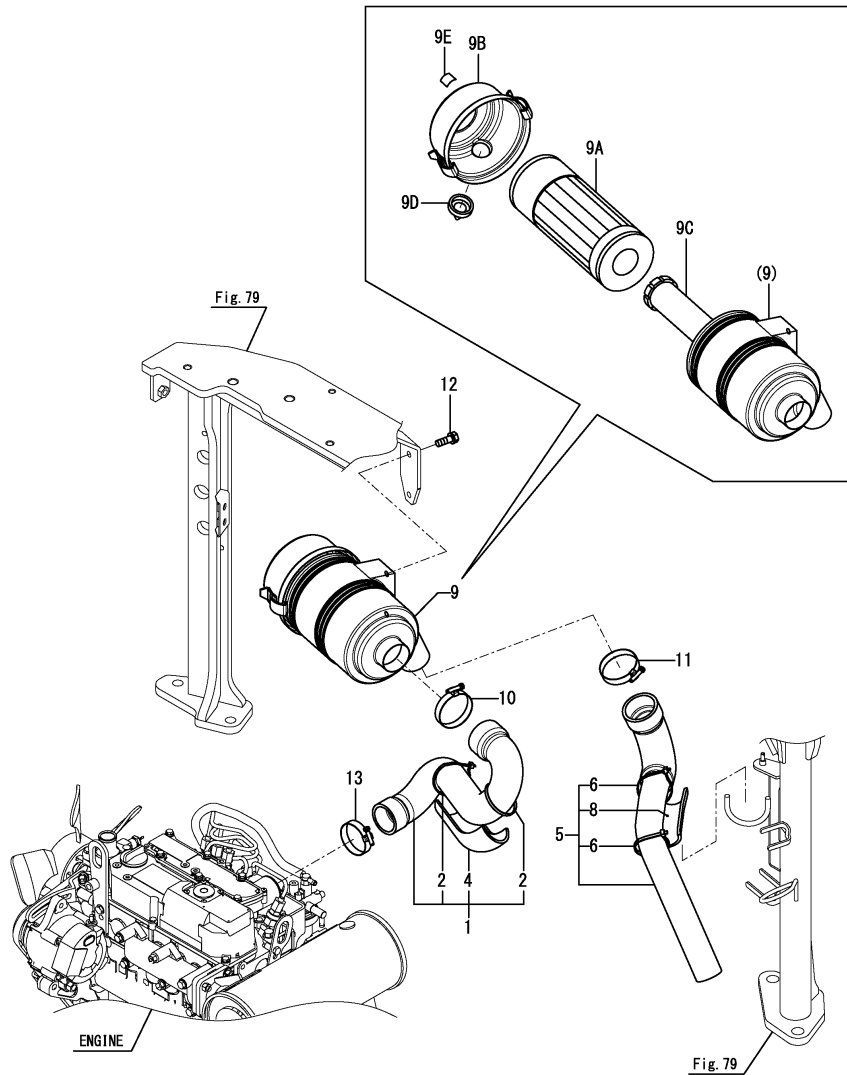
Remarks

- (1)Please use this part with following labels at the same time.  
No.4A.
- (2)Not illustrated.

Fig.9. AIR CLEANER(W)

(A)=VIO25-6A P(US)  
 (B)=VIO25-6A C(US)  
 (C)=VIO25-6A P(AS)

(D)=VIO25-6A C(AS)  
 (E)=VIO25-6A P(NZ)  
 (F)=VIO25-6A C(NZ)



No.	Lev.	Parts No.	Description	Q'ty						I	R
				(A)	(B)	(C)	(D)	(E)	(F)		
1	1	172B16-11550	HOSE ASSY, AIR/C A			1	1	1	1		
2	2	172126-11510	BAND			2	2	2	2		
4	2	172A23-11600	INSULATOR			1	1	1	1		
5	1	172B16-11560	HOSE ASSY, AIR/C B			1	1	1	1		
6	2	172126-11510	BAND			2	2	2	2		
8	2	172A23-11600	INSULATOR			1	1	1	1		
9	1	172B16-11610	AIR CLEANER ASSY			1	1	1	1		1
9A	2	119808-12520	ELEMENT, OUTER			1	1	1	1		
9B	2	119866-12530	COVER ASSY			1	1	1	1		
9C	2	129051-12530	ELEMENT, INNER			1	1	1	1		
9D	2	119808-12540	VALVE, UNLOAD			1	1	1	1		
9E	2	129612-12650	LABEL, MARKING			1	1	1	1		
9F	1	172125-03951	LABEL, AIR CLEANER			1	1	1	1		2
10	1	23000-070000	CLAMP, 70			1	1	1	1		
11	1	23000-070000	CLAMP, 70			1	1	1	1		
12	1	26013-080202	BOLT, M8X 20			2	2	2	2		
13	1	23000-060000	CLAMP, 60			1	1	1	1		

Remarks  
 (1)Please use this part with following labels at the same time.  
 No.9F.  
 (2)Not illustrated.

Fig.10. ACCELERATOR(BRACKET)

(A)=VIO25-6A P(US)  
 (B)=VIO25-6A C(US)  
 (C)=VIO25-6A P(AS)

(D)=VIO25-6A C(AS)  
 (E)=VIO25-6A P(NZ)  
 (F)=VIO25-6A C(NZ)

No.	Lev.	Parts No.	Description	Q'ty						I	R
				(A)	(B)	(C)	(D)	(E)	(F)		
1	1	172126-11510	BAND	1	1	1	1	1	1		
2	1	172B16-12200	CABLE, ACCELERATOR	1	1	1	1	1	1		
3	1	172B16-12220	BRACKET ASSY,W SEPA	1	1	1	1	1	1		
4	1	1C6281-52310	PIN, SNAP 6	1	1	1	1	1	1		
5	1	1A1040-56900	PIN, FLAT HEAD 6X17	1	1	1	1	1	1		
6	1	22137-060000	WASHER, 6	2	2	2	2	2	2		
7	1	26013-080202	BOLT, M8X 20	2	2	2	2	2	2		

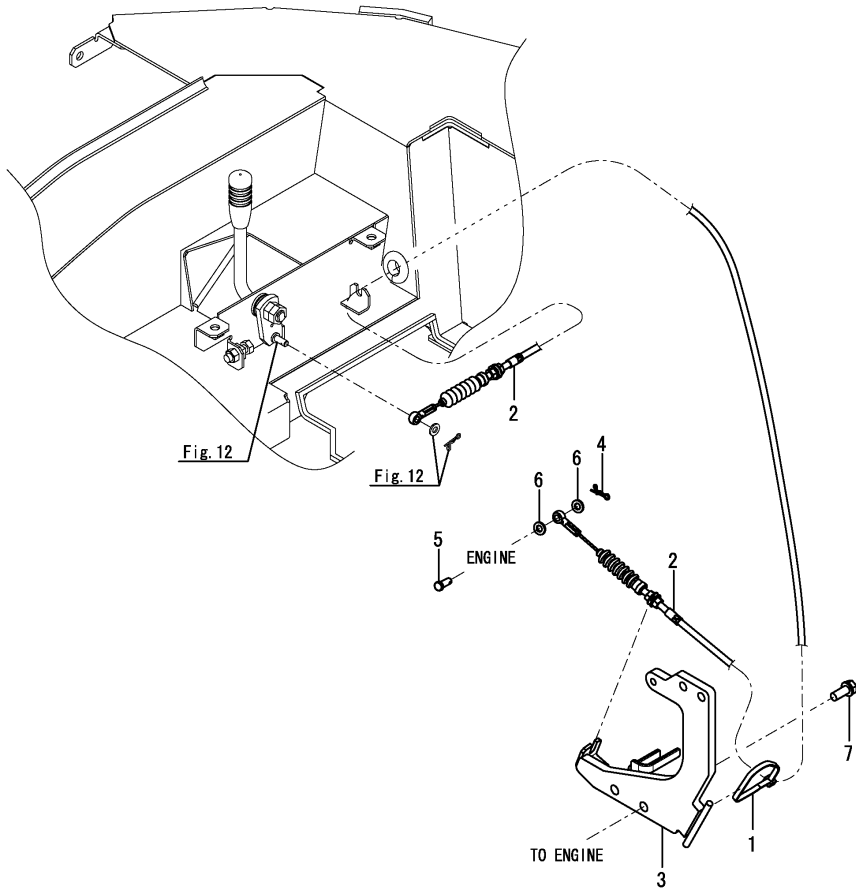
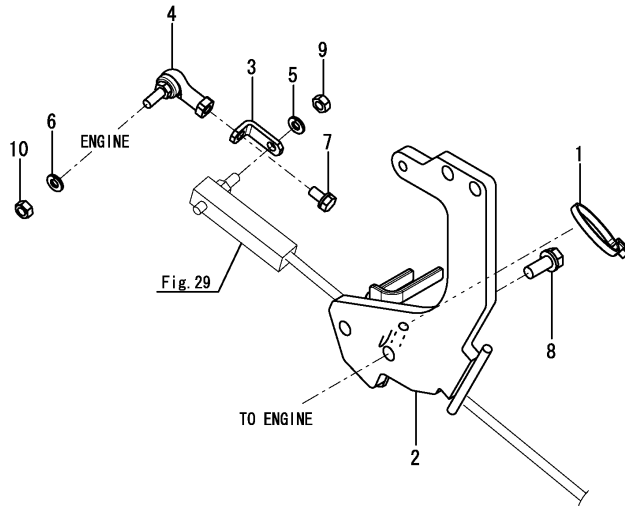


Fig.11. ACCELERATOR(BRACKET)(AUTO DECELERATION)

(A)=VIO25-6A P(US)  
 (B)=VIO25-6A C(US)  
 (C)=VIO25-6A P(AS)

(D)=VIO25-6A C(AS)  
 (E)=VIO25-6A P(NZ)  
 (F)=VIO25-6A C(NZ)

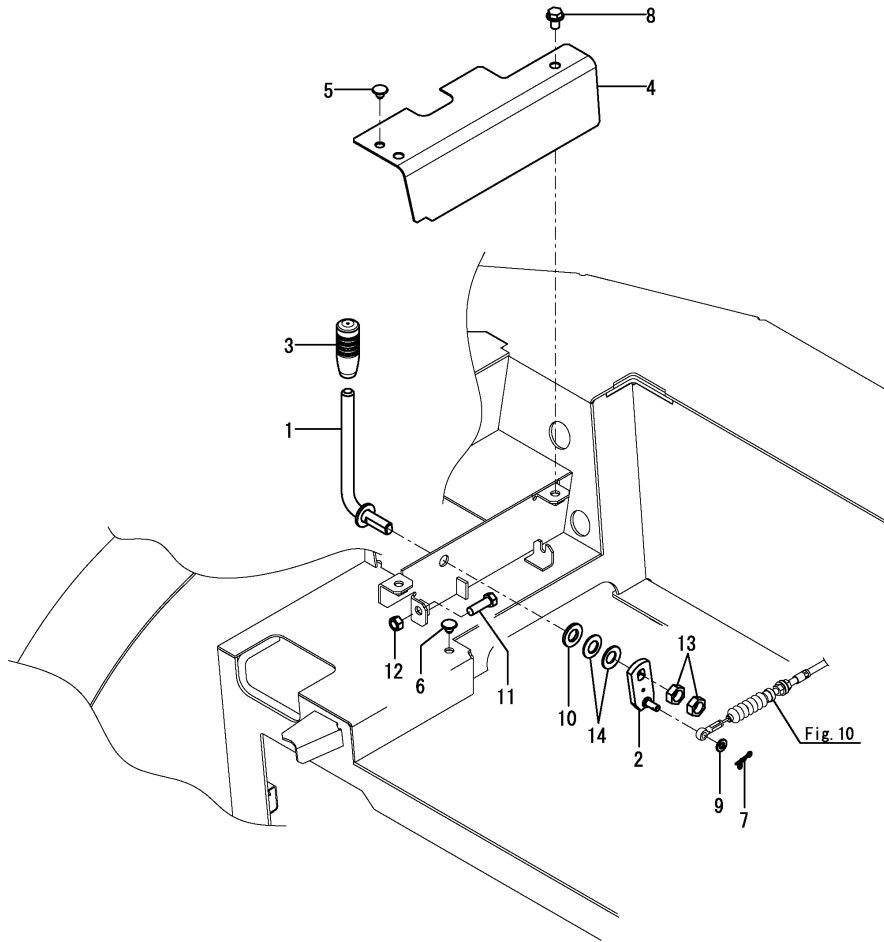


No.	Lev.	Parts No.	Description	Q'ty						I	R
				(A)	(B)	(C)	(D)	(E)	(F)		
1	1	172126-11510	BAND	1	1	1	1	1	1		
2	1	172B16-12320	BRACKET ASSY,W/S AD	1	1	1	1	1	1		
3	1	172B16-12350	BRACKET, CABLE AD	1	1	1	1	1	1		
4	1	172446-45820	LINK BALL 6	1	1	1	1	1	1		
5	1	22217-060000	WASHER, SPRING 6	1	1	1	1	1	1		
6	1	22217-060000	WASHER, SPRING 6	1	1	1	1	1	1		
7	1	26013-060122	BOLT, M6X 12	1	1	1	1	1	1		
8	1	26013-080202	BOLT, M8X 20	2	2	2	2	2	2		
9	1	26716-060002	NUT, M6	1	1	1	1	1	1		
10	1	26716-060002	NUT, M6	1	1	1	1	1	1		

Fig.12. ACCELERATOR

(A)=VIO25-6A P(US)  
 (B)=VIO25-6A C(US)  
 (C)=VIO25-6A P(AS)

(D)=VIO25-6A C(AS)  
 (E)=VIO25-6A P(NZ)  
 (F)=VIO25-6A C(NZ)

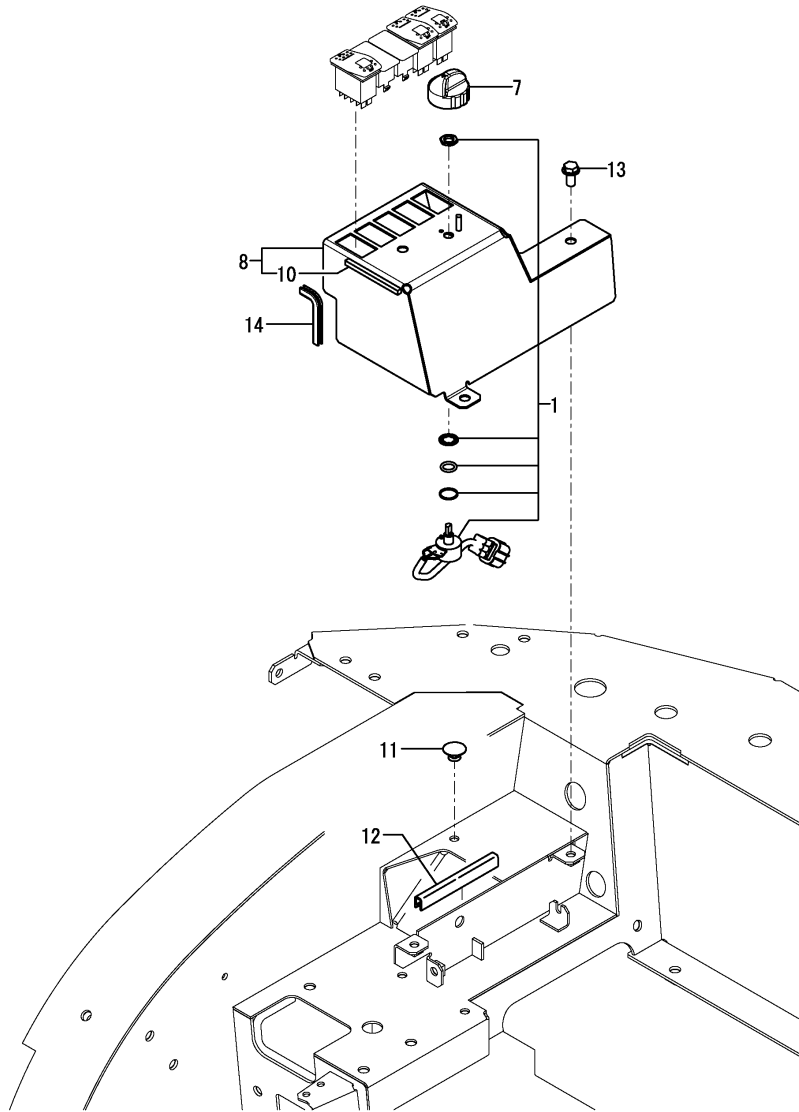


No.	Lev.	Parts No.	Description	Q'ty						I	R
				(A)	(B)	(C)	(D)	(E)	(F)		
1	1	172B16-12140	LEVER ASSY,ACCEL	1	1	1	1	1	1		
2	1	172B16-12180	ARM ASSY,ACCEL	1	1	1	1	1	1		
3	1	172498-12250	GRIP, ACCELERATOR	1	1	1	1	1	1		
4	1	172B16-12300	COVER ASSY,ACCEL	1	1	1	1	1	1		
5	1	172444-17660	CLIP, TREE	1	1	1	1	1	1		
6	1	172444-17660	CLIP, TREE	1	1	1	1	1	1		
7	1	1C6281-52310	PIN, SNAP 6	1	1	1	1	1	1		
8	1	172519-63240	BOLT	2	2	2	2	2	2		
9	1	22137-060000	WASHER, 6	1	1	1	1	1	1		
10	1	22137-120000	WASHER, 12	1	1	1	1	1	1		
10-1	1	172653-73200	WASHER, 12.5X26	1	1	1	1	1	1		N
		(A=M60790)	(B=M60790)	(C=M60790)	(D=M60790)	(E=M60790)	(F=M60790)				
11	1	26116-080254	BOLT, M8X 25 PLATED	1	1	1	1	1	1		
12	1	26716-080002	NUT, M8	1	1	1	1	1	1		
13	1	26756-120002	NUT, LOCK M12	2	2	2	2	2	2		
14	1	933170-01490	SPRING	2	2	2	2	2	2		

Fig.13. ACCELERATOR(AUTO DECELERATION)

(A)=VIO25-6A P(US)  
 (B)=VIO25-6A C(US)  
 (C)=VIO25-6A P(AS)

(D)=VIO25-6A C(AS)  
 (E)=VIO25-6A P(NZ)  
 (F)=VIO25-6A C(NZ)

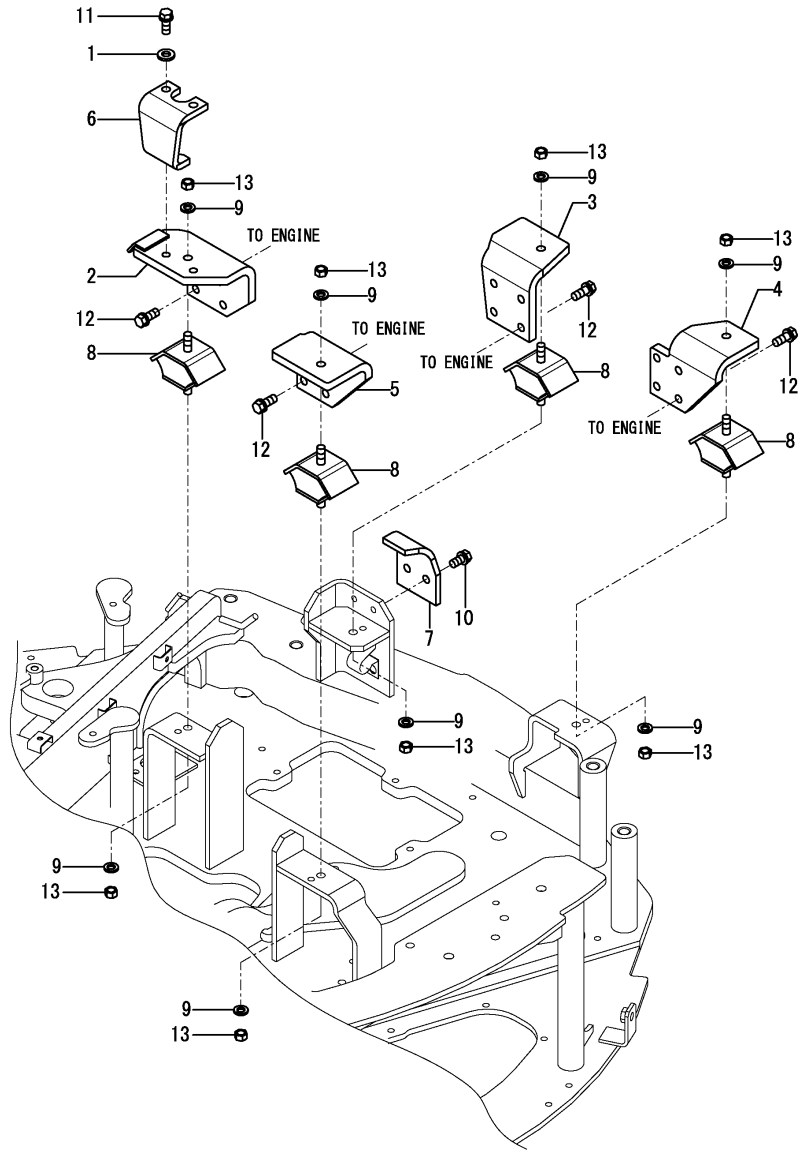


No.	Lev.	Parts No.	Description	Q'ty						I	R
				(A)	(B)	(C)	(D)	(E)	(F)		
1	1	172A69-12100	VOLUME, ACCEL ASSY	1	1	1	1	1	1		
7	1	172A69-12120	KNOB ASSY	1	1	1	1	1	1		
8	1	172B16-17520	BRACKET ASSY,AD SW	1	1	1	1	1	1		
10	2	172A65-64680	SEAL A,COVER D	1	1	1	1	1	1		
11	1	172444-17660	CLIP, TREE	1	1	1	1	1	1		
12	1	172146-62880	RUBBER	1	1	1	1	1	1		
13	1	172519-63240	BOLT	3	3	3	3	3	3		
14	1	172175-65641	TRIM	1	1	1	1	1	1		

Fig.14. ENGINE MOUNT

(A)=VIO25-6A P(US)  
 (B)=VIO25-6A C(US)  
 (C)=VIO25-6A P(AS)

(D)=VIO25-6A C(AS)  
 (E)=VIO25-6A P(NZ)  
 (F)=VIO25-6A C(NZ)



No.	Lev.	Parts No.	Description	Q'ty						I	R
				(A)	(B)	(C)	(D)	(E)	(F)		
1	1	194145-04810	WASHER, 10	2	2	2	2	2	2		
2	1	172487-13091	MOUNT ASSY,ENG LF	1	1	1	1	1	1		
3	1	172487-13101	MOUNT RF, ENG	1	1	1	1	1	1		
4	1	172456-13120	MOUNT RR,ENG	1	1	1	1	1	1		
5	1	172A23-13130	MOUNT LR, ENG	1	1	1	1	1	1		
6	1	172456-13140	STOPPER	1	1	1	1	1	1		
7	1	172456-13150	STOPPER	1	1	1	1	1	1		
8	1	172179-13211	RUBBER, ANTI VIBRAT.	4	4	4	4	4	4		
9	1	22217-100000	WASHER, SPRING 10	8	8	8	8	8	8		
10	1	26013-100202	BOLT, M10X 20	2	2	2	2	2	2		
11	1	26013-100252	BOLT, M10X 25	2	2	2	2	2	2		
12	1	26013-100252	BOLT, M10X 25	16	16	16	16	16	16		
13	1	26716-100002	NUT, M10	8	8	8	8	8	8		



Fig.15. RADIATOR SHROUD

(A)=VIO25-6A P(US)  
 (B)=VIO25-6A C(US)  
 (C)=VIO25-6A P(AS)

(D)=VIO25-6A C(AS)  
 (E)=VIO25-6A P(NZ)  
 (F)=VIO25-6A C(NZ)

No.	Lev.	Parts No.	Description	Q'ty						I	R
				(A)	(B)	(C)	(D)	(E)	(F)		
1	1	172B16-13900	SHROUD ASSY	1	1	1	1	1	1		
2	2	172B16-13590	RUBBER, SEAL 450	1	1	1	1	1	1		
3	2	172B16-13950	RUBBER, SEAL 108	2	2	2	2	2	2		
4	2	172B16-13960	SEAL, 108	2	2	2	2	2	2		
5	1	172B16-13970	GUARD,FAN	1	1	1	1	1	1		
6	1	26013-060122	BOLT, M6X 12	3	3	3	3	3	3		
7	1	26013-080162	BOLT, M8X 16	2	2	2	2	2	2		

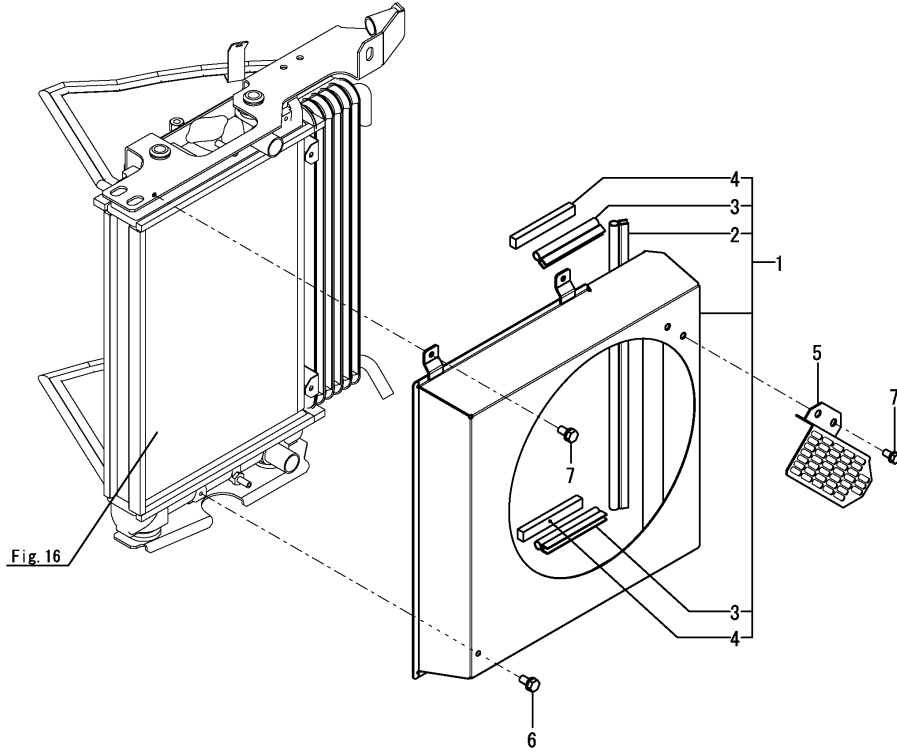
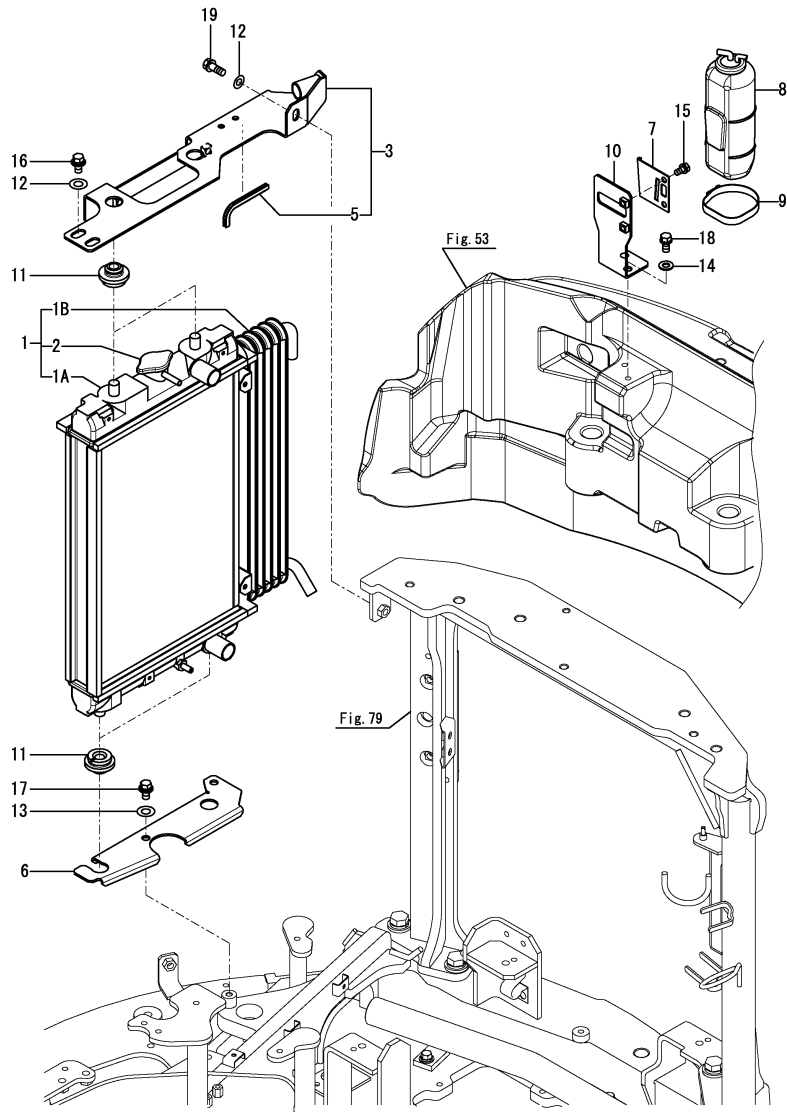


Fig.16. RADIATOR & SUB TANK

(A)=VIO25-6A P(US)  
 (B)=VIO25-6A C(US)  
 (C)=VIO25-6A P(AS)

(D)=VIO25-6A C(AS)  
 (E)=VIO25-6A P(NZ)  
 (F)=VIO25-6A C(NZ)



No.	Lev.	Parts No.	Description	Q'ty						I	R
				(A)	(B)	(C)	(D)	(E)	(F)		
1	1	172B16-13200	RADIATOR ASSY, OIL	1	1	1	1	1	1		
1A	2	172B16-13210	RADIATOR ASSY	1	1	1	1	1	1		
1B	2	172B16-13220	COOLER ASSY, OIL	1	1	1	1	1	1		
2	2	172456-13310	CAP ASSY	1	1	1	1	1	1		
3	1	172B16-13401	BRACKET ASSY,RADIATO	1	1	1	1	1	1		1
5	2	172458-18850	TRIM	1	1	1	1	1	1		
5A	1	172A38-03211	LABEL, ANTI-FREEZING	1	1	1	1	1	1		3
5B	1	172437-03391	LABEL, RADIATOR	1	1	1	1	1	1		3
6	1	172B16-13450	BRACKET,RADIATOR LOW	1	1	1	1	1	1		
7	1	172B16-13800	BRACKET ASSY,SUB	1	1	1	1	1	1		
8	1	129263-44510	TANK ASSY, SUB	1	1	1	1	1	1		2
8A	1	172A38-03201	LABEL, SUB TANK	1	1	1	1	1	1		3
9	1	124450-44550	BAND, SUB-TANK	1	1	1	1	1	1		
10	1	121256-44600	BRACKET, SUB TANK	1	1	1	1	1	1		
11	1	119255-44660	ABSORBER	4	4	4	4	4	4		
12	1	22137-100000	WASHER, 10	3	3	3	3	3	3		
13	1	22137-100000	WASHER, 10	2	2	2	2	2	2		
14	1	22137-100000	WASHER, 10	2	2	2	2	2	2		
15	1	26013-080162	BOLT, M8X 16	2	2	2	2	2	2		
16	1	26013-100202	BOLT, M10X 20	2	2	2	2	2	2		
17	1	26013-100202	BOLT, M10X 20	2	2	2	2	2	2		
18	1	26013-100202	BOLT, M10X 20	2	2	2	2	2	2		
19	1	26013-100252	BOLT, M10X 25	1	1	1	1	1	1		

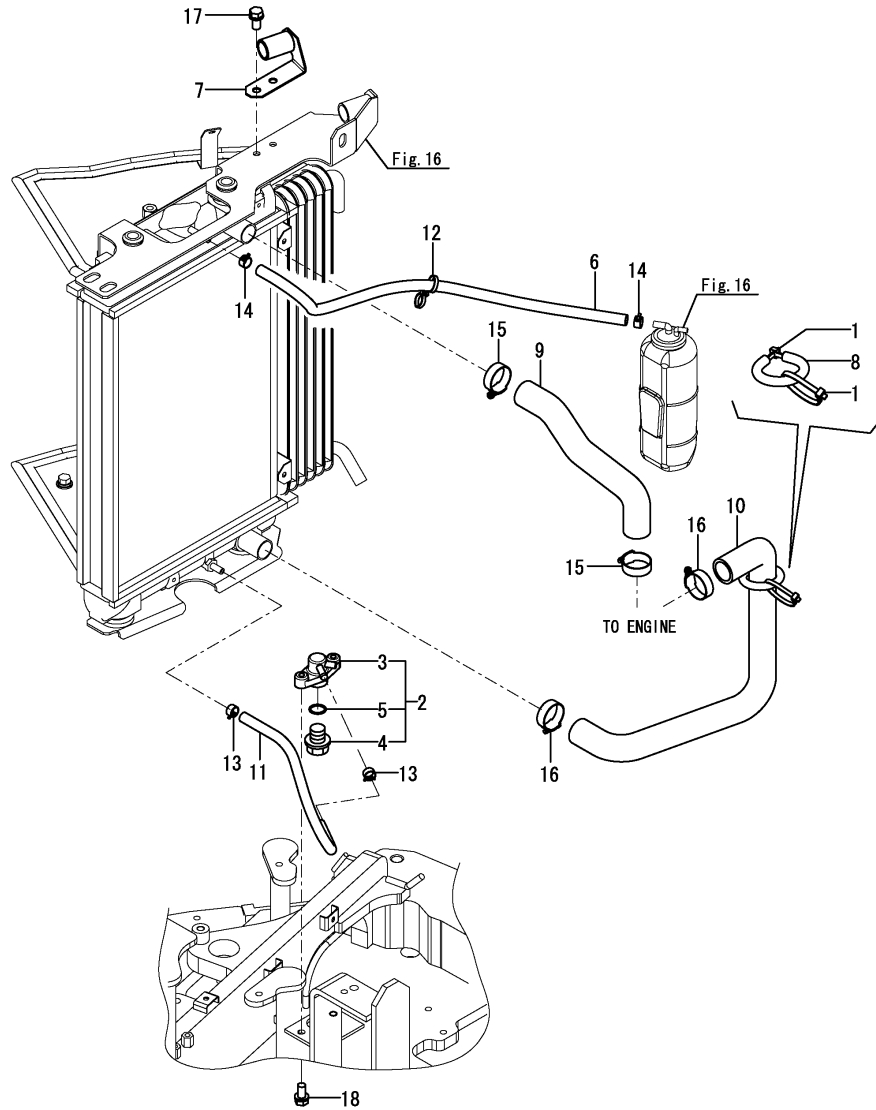
Remarks

- (1)Please use this part with following labels at the same time.  
No.5A & 5B.
- (2)Please use this part with following labels at the same time.  
No.8A.
- (3)Not illustrated.

Fig.17. RADIATOR HOSE

(A)=VIO25-6A P(US)  
 (B)=VIO25-6A C(US)  
 (C)=VIO25-6A P(AS)

(D)=VIO25-6A C(AS)  
 (E)=VIO25-6A P(NZ)  
 (F)=VIO25-6A C(NZ)

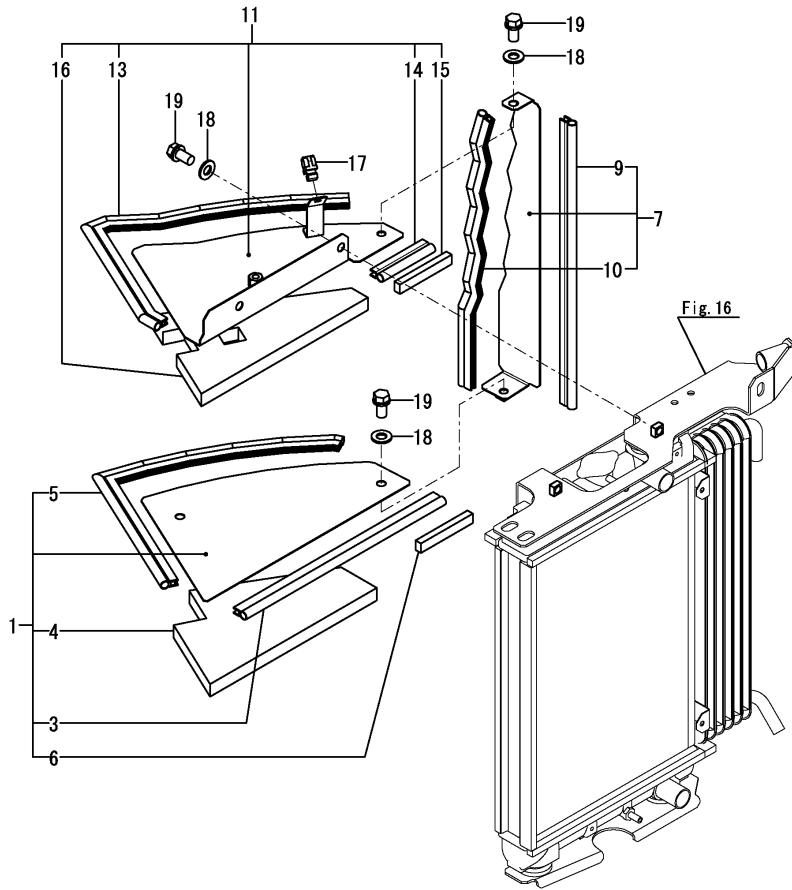


No.	Lev.	Parts No.	Description	Q'ty						I	R
				(A)	(B)	(C)	(D)	(E)	(F)		
1	1	172126-11510	BAND	2	2	2	2	2	2		
2	1	172444-13210	COCK ASSY, 2-WAY	1	1	1	1	1	1		
3	2	172444-13220	BODY	1	1	1	1	1	1		
4	2	121250-49121	PLUG, DRAIN M16	1	1	1	1	1	1		
5	2	24311-000160	O-RING, 1AP16.0	1	1	1	1	1	1		
6	1	172122-13381	HOSE	1	1	1	1	1	1		
7	1	172B16-13471	PLATE ASSY, GREASE	1	1	1	1	1	1		
8	1	172A23-13530	HOSE	1	1	1	1	1	1		
9	1	172B16-13980	HOSE, CW-T A	1	1	1	1	1	1		
10	1	172B16-13990	HOSE, CW-T B	1	1	1	1	1	1		
11	1	172734-14620	HOSE, FUEL	1	1	1	1	1	1		
12	1	172137-16560	BAND	1	1	1	1	1	1		
13	1	124766-59050	CLAMP, HOSE 11.5	2	2	2	2	2	2		
14	1	124766-59050	CLAMP, HOSE 11.5	2	2	2	2	2	2		
15	1	23001-041000	CLAMP, HOSE 41	2	2	2	2	2	2		
16	1	23001-041000	CLAMP, HOSE 41	2	2	2	2	2	2		
17	1	26013-080162	BOLT, M8X 16	2	2	2	2	2	2		
18	1	26013-080162	BOLT, M8X 16	2	2	2	2	2	2		

Fig.18. DUCT

(A)=VIO25-6A P(US)  
 (B)=VIO25-6A C(US)  
 (C)=VIO25-6A P(AS)

(D)=VIO25-6A C(AS)  
 (E)=VIO25-6A P(NZ)  
 (F)=VIO25-6A C(NZ)

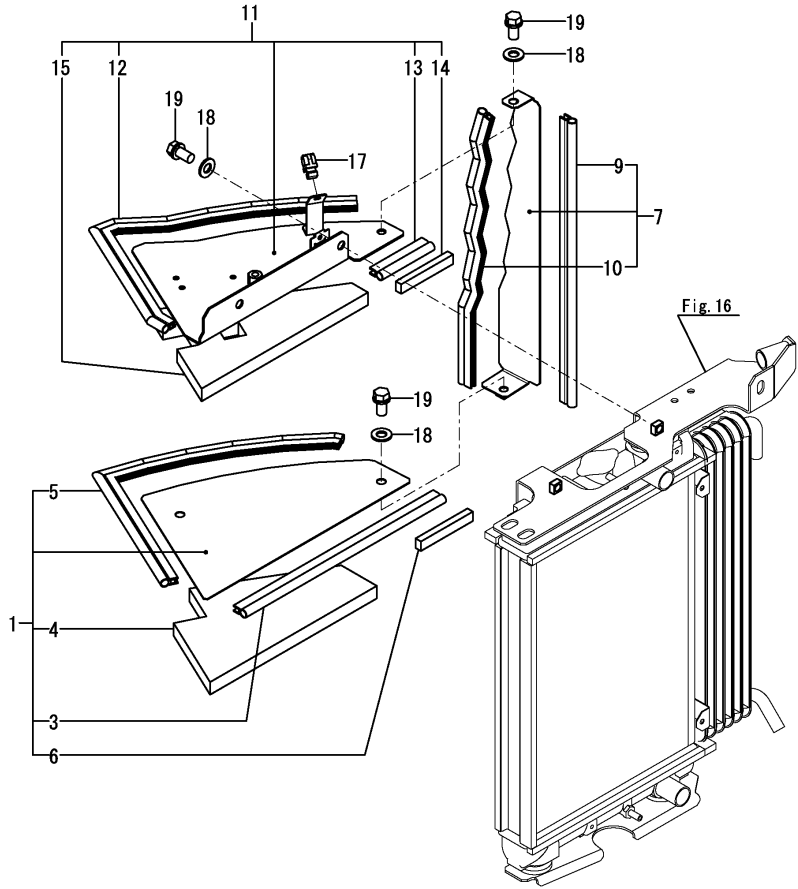


No.	Lev.	Parts No.	Description	Q'ty						I	R
				(A)	(B)	(C)	(D)	(E)	(F)		
1	1	172B16-13540	DUCT ASSY,LOW	1	1	1	1	1	1		
3	2	172B16-13520	RUBBER, SEAL 365	1	1	1	1	1	1		
4	2	172B16-13530	SPONGE, B	1	1	1	1	1	1		
5	2	172B16-13650	RUBBER, SEAL 570	1	1	1	1	1	1		
6	2	172B16-13670	SEAL, 95	1	1	1	1	1	1		
7	1	172B16-13560	PLATE ASSY,DUCT SIDE	1	1	1	1	1	1		
9	2	172B16-13590	RUBBER, SEAL 450	1	1	1	1	1	1		
10	2	172A64-64920	SEAL, 480	1	1	1	1	1	1		
11	1	172B16-13691	DUCT ASSY,UP US	1	1	1	1	1	1		
13	2	172B16-13650	RUBBER, SEAL 570	1	1	1	1	1	1		
14	2	172B16-13660	RUBBER, SEAL 95	1	1	1	1	1	1		
15	2	172B16-13670	SEAL, 95	1	1	1	1	1	1		
16	2	172B16-13680	SPONGE, A	1	1	1	1	1	1		
17	1	1A7400-61250	HOLDER, ROD 8	1	1	1	1	1	1		
18	1	22137-100000	WASHER, 10	5	5	5	5	5	5		
19	1	26013-100202	BOLT, M10X 20	5	5	5	5	5	5		

Fig.19. DUCT(AUTO DECELERATION)

(A)=VIO25-6A P(US)  
 (B)=VIO25-6A C(US)  
 (C)=VIO25-6A P(AS)

(D)=VIO25-6A C(AS)  
 (E)=VIO25-6A P(NZ)  
 (F)=VIO25-6A C(NZ)

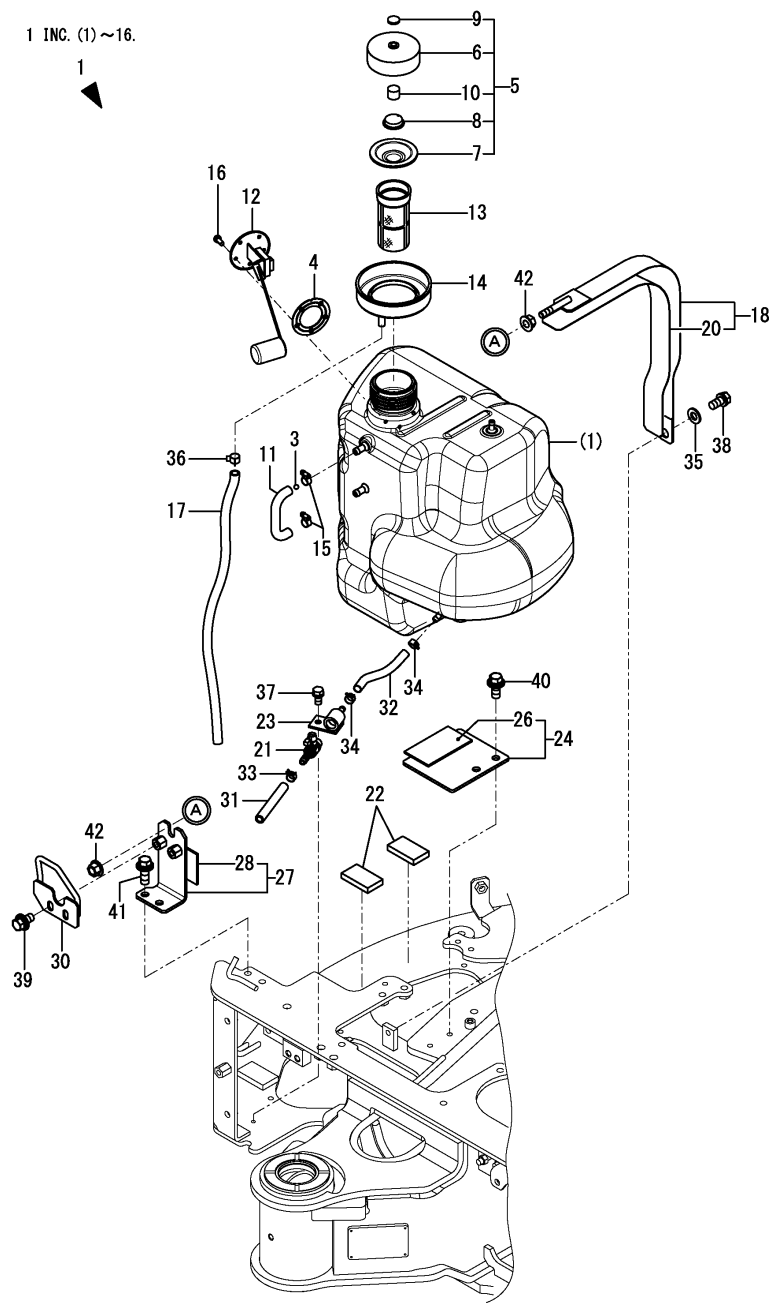


No.	Lev.	Parts No.	Description	Q'ty						I	R
				(A)	(B)	(C)	(D)	(E)	(F)		
1	1	172B16-13540	DUCT ASSY,LOW	1	1	1	1	1	1		
3	2	172B16-13520	RUBBER, SEAL 365	1	1	1	1	1	1		
4	2	172B16-13530	SPONGE, B	1	1	1	1	1	1		
5	2	172B16-13650	RUBBER, SEAL 570	1	1	1	1	1	1		
6	2	172B16-13670	SEAL, 95	1	1	1	1	1	1		
7	1	172B16-13560	PLATE ASSY,DUCT SIDE	1	1	1	1	1	1		
9	2	172B16-13590	RUBBER, SEAL 450	1	1	1	1	1	1		
10	2	172A64-64920	SEAL, 480	1	1	1	1	1	1		
11	1	172B16-13751	DUCT ASSY,UP DECEL	1	1	1	1	1	1		
12	2	172B16-13650	RUBBER, SEAL 570	1	1	1	1	1	1		
13	2	172B16-13660	RUBBER, SEAL 95	1	1	1	1	1	1		
14	2	172B16-13670	SEAL, 95	1	1	1	1	1	1		
15	2	172B16-13680	SPONGE, A	1	1	1	1	1	1		
17	1	1A7400-61250	HOLDER, ROD 8	1	1	1	1	1	1		
18	1	22137-100000	WASHER, 10	5	5	5	5	5	5		
19	1	26013-100202	BOLT, M10X 20	5	5	5	5	5	5		

Fig.20. FUEL TANK

(A)=VIO25-6A P(US)  
 (B)=VIO25-6A C(US)  
 (C)=VIO25-6A P(AS)

(D)=VIO25-6A C(AS)  
 (E)=VIO25-6A P(NZ)  
 (F)=VIO25-6A C(NZ)

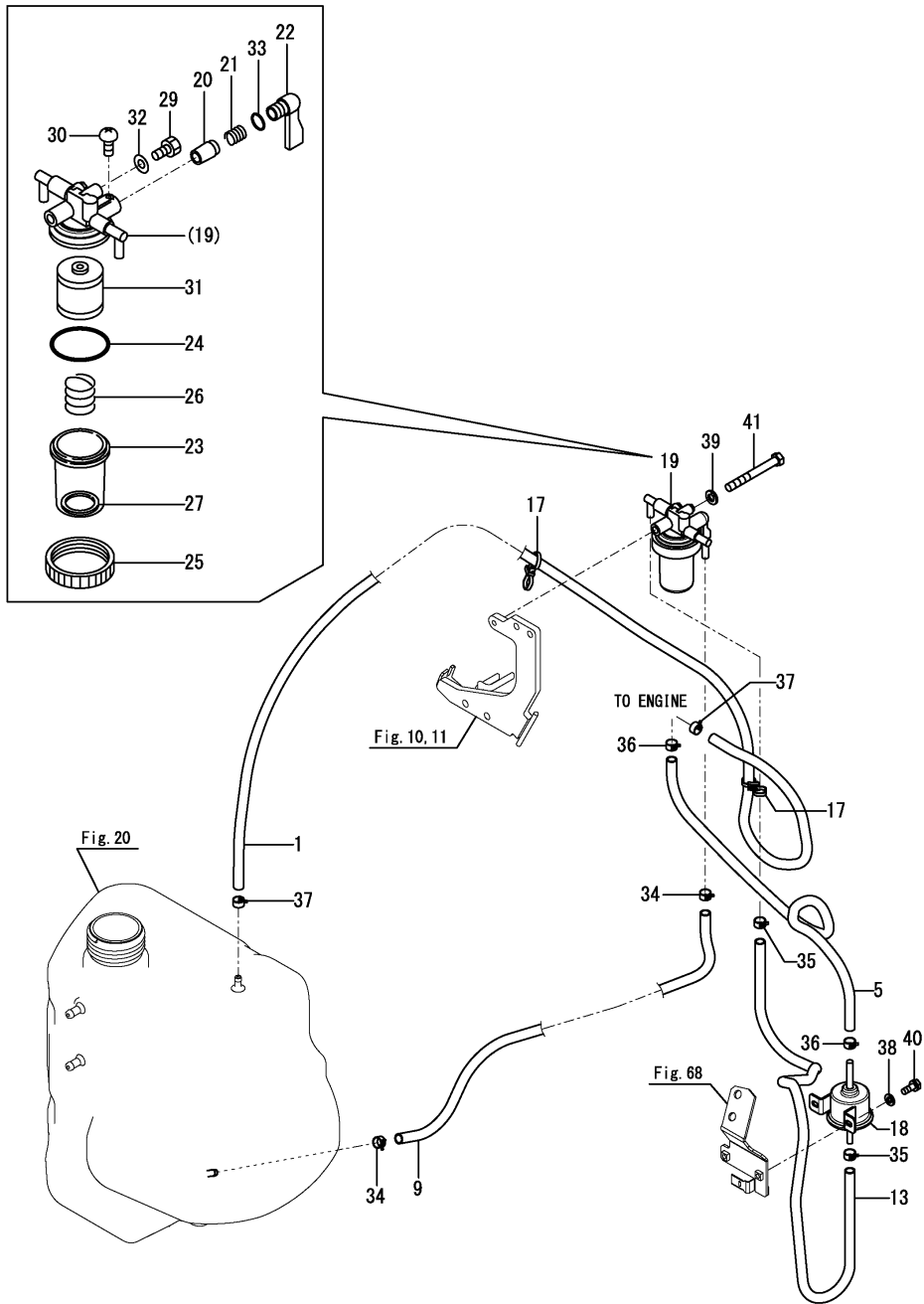


No.	Lev.	Parts No.	Description	Q'ty						I	R
				(A)	(B)	(C)	(D)	(E)	(F)		
1	1	172B16-08390	TANK KIT,FUEL	1	1	1	1	1	1		
3	2	172447-14160	FLOAT	1	1	1	1	1	1		
4	2	172162-14200	GASKET	1	1	1	1	1	1		
5	2	172444-14200	CAP, FUEL	1	1	1	1	1	1		
6	3	172444-14450	CAP	1	1	1	1	1	1		
7	3	172444-14460	PACKING, RUBBER	1	1	1	1	1	1		
8	3	172444-14470	PACKING, RUBBER	1	1	1	1	1	1		
9	3	172444-14480	WASHER	1	1	1	1	1	1		
10	3	172444-14490	SPONGE	1	1	1	1	1	1		
11	2	172458-14203	HOSE, FUEL GAUGE	1	1	1	1	1	1		
12	2	172B16-14220	GAUGE, FUEL	1	1	1	1	1	1		
13	2	172183-14250	FILTER, FUEL	1	1	1	1	1	1		
14	2	172458-14370	SUMP, FUEL	1	1	1	1	1	1		
15	2	23000-013000	CLAMP, 13	2	2	2	2	2	2		
16	2	26022-050122	SCREW, M5X12	5	5	5	5	5	5		
17	1	172B16-14080	HOSE,470	1	1	1	1	1	1		
18	1	172B16-14150	CLAMP ASSY, FO	1	1	1	1	1	1		
20	2	172B16-14190	RUBBER, CLAMP	1	1	1	1	1	1		
21	1	172A69-14230	VALVE, FUEL DRAIN	1	1	1	1	1	1		
22	1	172B03-14230	RUBBER	2	2	2	2	2	2		
23	1	172444-14270	JOINT, DRAIN	1	1	1	1	1	1		
24	1	172B16-14350	BRACKET ASSY,FO	1	1	1	1	1	1		
26	2	172B16-75470	RUBBER,PLATE	1	1	1	1	1	1		
27	1	172B16-14370	STAY ASSY,FO	1	1	1	1	1	1		
28	2	172446-14250	PLATE, RUBBER	1	1	1	1	1	1		
30	1	172B16-14400	CATCH ASSY,COVER B	1	1	1	1	1	1		
31	1	172444-14410	HOSE, DRAIN	1	1	1	1	1	1		
32	1	172456-14630	HOSE,FO 150 ASSY	1	1	1	1	1	1		
33	1	106990-44660	CLAMP, HOSE 12.5	1	1	1	1	1	1		
34	1	124766-59050	CLAMP, HOSE 11.5	2	2	2	2	2	2		
35	1	22137-100000	WASHER, 10	1	1	1	1	1	1		
36	1	23080-013000	CLAMP, 13	1	1	1	1	1	1		
37	1	26013-080162	BOLT, M8X 16	1	1	1	1	1	1		
38	1	26013-100202	BOLT, M10X 20	1	1	1	1	1	1		
39	1	26014-100202	BOLT, M10X 20	2	2	2	2	2	2		
40	1	26014-100252	BOLT, M10X 25	2	2	2	2	2	2		
41	1	26014-100302	BOLT, M10X 30	2	2	2	2	2	2		
42	1	26367-100002	NUT, M10	2	2	2	2	2	2		

Fig.21. FUEL PIPING

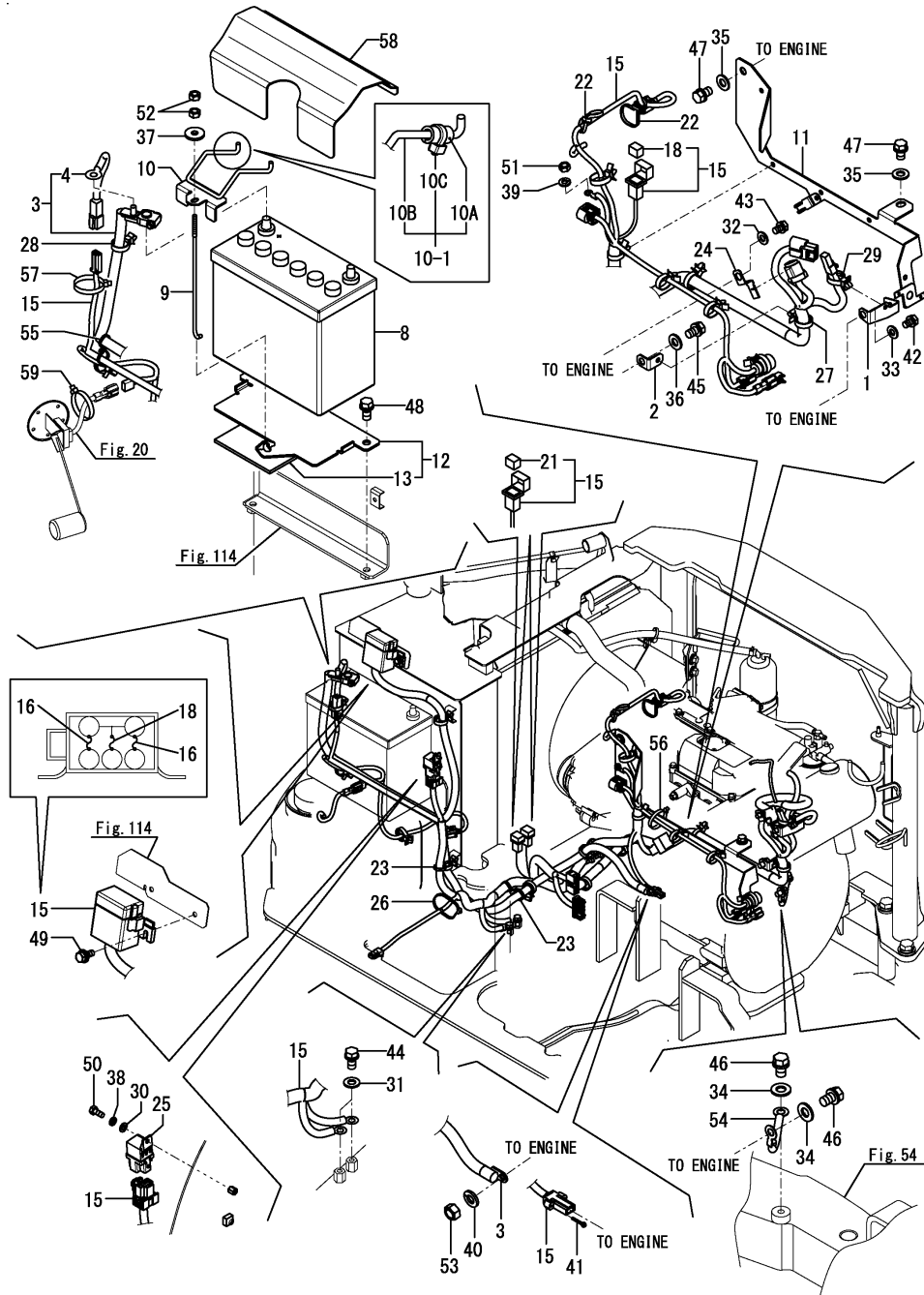
(A)=VIO25-6A P(US)  
 (B)=VIO25-6A C(US)  
 (C)=VIO25-6A P(AS)

(D)=VIO25-6A C(AS)  
 (E)=VIO25-6A P(NZ)  
 (F)=VIO25-6A C(NZ)



No.	Lev.	Parts No.	Description	Q'ty						I	R
				(A)	(B)	(C)	(D)	(E)	(F)		
1	1	172B16-14050	HOSE ASSY, FUEL 2100	1	1	1	1	1	1		
5	1	172B16-14060	HOSE ASSY, FUEL 1000	1	1	1	1	1	1		
9	1	172A78-14600	HOSE ASSY, FUEL	1	1	1	1	1	1		
13	1	172A46-14650	HOSE ASSY, FUEL	1	1	1	1	1	1		
17	1	172137-16560	BAND	2	2	2	2	2	2		
18	1	129612-52100	PUMP, FUEL FEED	1	1	1	1	1	1		
19	1	129335-55701	SEPARATOR ASSY,WATER	1	1	1	1	1	1		
20	2	104200-55321	VALVE, TAPER	1	1	1	1	1	1		
21	2	104200-55330	SPRING, FUEL VALVE	1	1	1	1	1	1		
22	2	104200-55341	HANDLE, COCK	1	1	1	1	1	1		
23	2	124064-55510	CUP, FUEL STARINER	1	1	1	1	1	1		
24	2	102103-55520	O-RING	1	1	1	1	1	1		
25	2	110250-55610	RING, CUP RETAINING	1	1	1	1	1	1		
26	2	121257-55720	SPRING, FILTER	1	1	1	1	1	1		
27	2	121257-55731	FLOAT	1	1	1	1	1	1		
29	2	101720-55750	PLUG, HEXAGON M6	2	2	2	2	2	2		
30	2	104200-55750	SCREW, PAN M4	1	1	1	1	1	1		
31	2	171081-55910	FILTER, FUEL	1	1	1	1	1	1		
32	2	23418-060000	GASKET, 6X1.0	2	2	2	2	2	2		
33	2	24311-240100	O-RING, 1AP10A	1	1	1	1	1	1		
34	1	124766-59050	CLAMP, HOSE 11.5	2	2	2	2	2	2		
35	1	124766-59050	CLAMP, HOSE 11.5	2	2	2	2	2	2		
36	1	124766-59050	CLAMP, HOSE 11.5	2	2	2	2	2	2		
37	1	124766-59050	CLAMP, HOSE 11.5	2	2	2	2	2	2		
38	1	22137-060000	WASHER, 6	2	2	2	2	2	2		
39	1	22217-080000	WASHER, SPRING 8	1	1	1	1	1	1		
40	1	26013-060162	BOLT, M6X 16	2	2	2	2	2	2		
41	1	26116-080702	BOLT, M8X 70 PLATED	1	1	1	1	1	1		

Fig.22. AROUND THE ENGINE



(A)=VIO25-6A P(US)  
 (B)=VIO25-6A C(US)  
 (C)=VIO25-6A P(AS)

(D)=VIO25-6A C(AS)  
 (E)=VIO25-6A P(NZ)  
 (F)=VIO25-6A C(NZ)

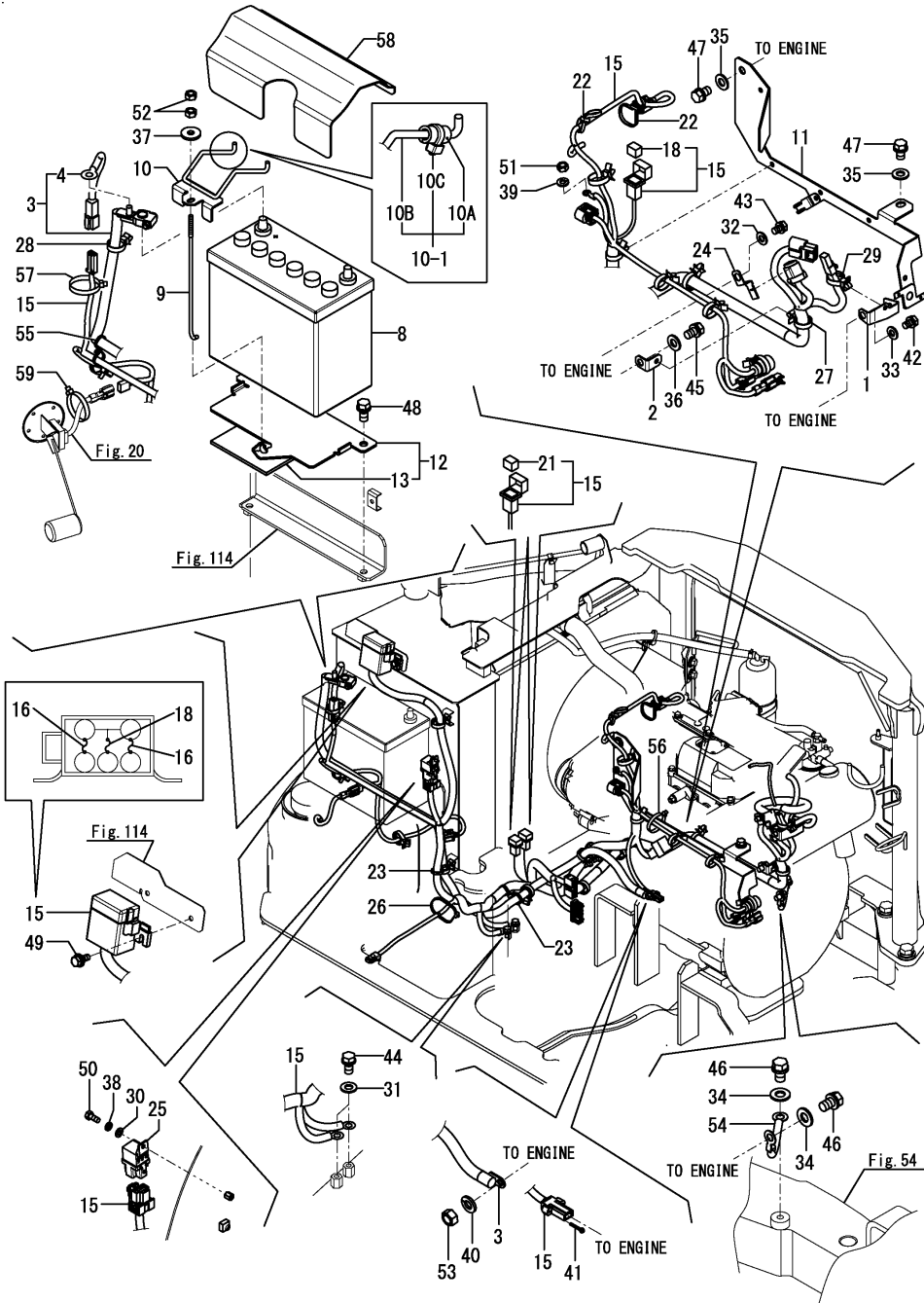
No.	Lev.	Parts No.	Description	Q'ty						I	R
				(A)	(B)	(C)	(D)	(E)	(F)		
1	1	172B16-16060	STAY,TS	1	1	1	1	1	1		
2	1	172B16-16070	CLAMP,HARNES	1	1	1	1	1	1		
3	1	172B16-16100	CORD ASSY,BATT PULSE	1	1	1	1	1	1		
4	2	172B16-16111	CORD, BATTERY PLUS	1	1	1	1	1	1		
8	1	172458-16110	BATTERY	1	1	1	1	1	1		
9	1	172725-16160	ROD, BATTERY CLAMP	1	1	1	1	1	1		
10	1	172458-16300	CLAMP ASSY, BATTERY	1	1	1	1	1	1		
10-1	1	172B16-16400	CLAMP ASSY, BATTERY	1	1	1	1	1	1		N
		(A=MAF056)	(B=MAF056)	(C=MAF056)	(D=MAF056)	(E=MAF056)	(F=MAF056)				
10A	2	172126-11510	BAND	1	1	1	1	1	1		W
		(A=MAF056)	(B=MAF056)	(C=MAF056)	(D=MAF056)	(E=MAF056)	(F=MAF056)				
10B	2	172458-16300	CLAMP ASSY, BATTERY	1	1	1	1	1	1		
10C	2	172A46-16360	HOSE, CLAMP	1	1	1	1	1	1		W
		(A=MAF056)	(B=MAF056)	(C=MAF056)	(D=MAF056)	(E=MAF056)	(F=MAF056)				
11	1	172B16-16300	STAY ASSY,HARNES	1	1	1	1	1	1		
12	1	172B16-16340	PLATE ASSY,BATTERY	1	1	1	1	1	1		
13	2	172444-14130	PLATE, RUBBER	1	1	1	1	1	1		
15	1	172B16-16500	HARNES ASSY,A	1	1	1	1	1	1		
16	2	1C6900-06190	FUSE, SLOW BLOW 60A	2	2	2	2	2	2		
18	2	1A7000-52820	FUSE, SLOW BLOW 60A	2	2	2	2	2	2		
21	2	1E8235-84910	DIODE, 090 31	2	2	2	2	2	2		
22	1	172137-16560	BAND	2	2	2	2	2	2		
23	1	172137-16560	BAND	2	2	2	2	2	2		
24	1	172460-16700	STAY	1	1	1	1	1	1		
25	1	172B16-17190	RELAY, CB C TYPE	1	1	1	1	1	1		
26	1	194202-56460	BAND, 200	1	1	1	1	1	1		
27	1	1E8775-84120	CLAMP, BAND	1	1	1	1	1	1		
28	1	1E8490-84130	CLAMP, BAND	1	1	1	1	1	1		
29	1	1E8490-84130	CLAMP, BAND	1	1	1	1	1	1		
30	1	22137-050000	WASHER, 5	1	1	1	1	1	1		
31	1	22137-080000	WASHER, 8	2	2	2	2	2	2		
32	1	22137-080000	WASHER, 8	1	1	1	1	1	1		
33	1	22137-080000	WASHER, 8	1	1	1	1	1	1		
34	1	22137-100000	WASHER, 10	2	2	2	2	2	2		
35	1	22137-100000	WASHER, 10	2	2	2	2	2	2		
36	1	22137-100000	WASHER, 10	1	1	1	1	1	1		
37	1	22157-060000	WASHER, 6	1	1	1	1	1	1		
38	1	22217-050000	WASHER, SPRING 5	1	1	1	1	1	1		
39	1	22217-060000	WASHER, SPRING 6	1	1	1	1	1	1		
40	1	22217-080000	WASHER, SPRING 8	1	1	1	1	1	1		
41	1	22417-200250	PIN, COTTER 2.0X25	1	1	1	1	1	1		
42	1	26013-080122	BOLT, M8X 12	1	1	1	1	1	1		
43	1	26013-080122	BOLT, M8X 12	1	1	1	1	1	1		
44	1	26013-080162	BOLT, M8X 16	2	2	2	2	2	2		
45	1	26013-100162	BOLT, M10X 16	1	1	1	1	1	1		
46	1	26013-100162	BOLT, M10X 16	2	2	2	2	2	2		
47	1	26013-100162	BOLT, M10X 16	2	2	2	2	2	2		
48	1	26013-100202	BOLT, M10X 20	2	2	2	2	2	2		
49	1	26014-060162	BOLT, M6X 16	2	2	2	2	2	2		
50	1	26116-050122	BOLT, M5X 12 PLATED	1	1	1	1	1	1		
50-1	2	26116-050102	BOLT, M5X 10 PLATED	1	1	1	1	1	1		N

N:Old  $\begin{matrix} \text{Yes} \\ \text{No} \end{matrix}$  New, Q:Old  $\begin{matrix} \text{No} \\ \text{Yes} \end{matrix}$  New, R:Old  $\begin{matrix} \text{Yes} \\ \text{No} \end{matrix}$  New, S:Old  $\begin{matrix} \text{No} \\ \text{Yes} \end{matrix}$  New, W:Add, Z:Discontinued, F:Interchangeable by set, K:Q'ty Change  
 ++ CONTINUE ++  
 Copyright (C) 2014 YANMAR CO., LTD. All Rights Reserved.



Fig.22. AROUND THE ENGINE

- (A)=VIO25-6A P(US)
- (B)=VIO25-6A C(US)
- (C)=VIO25-6A P(AS)
- (D)=VIO25-6A C(AS)
- (E)=VIO25-6A P(NZ)
- (F)=VIO25-6A C(NZ)

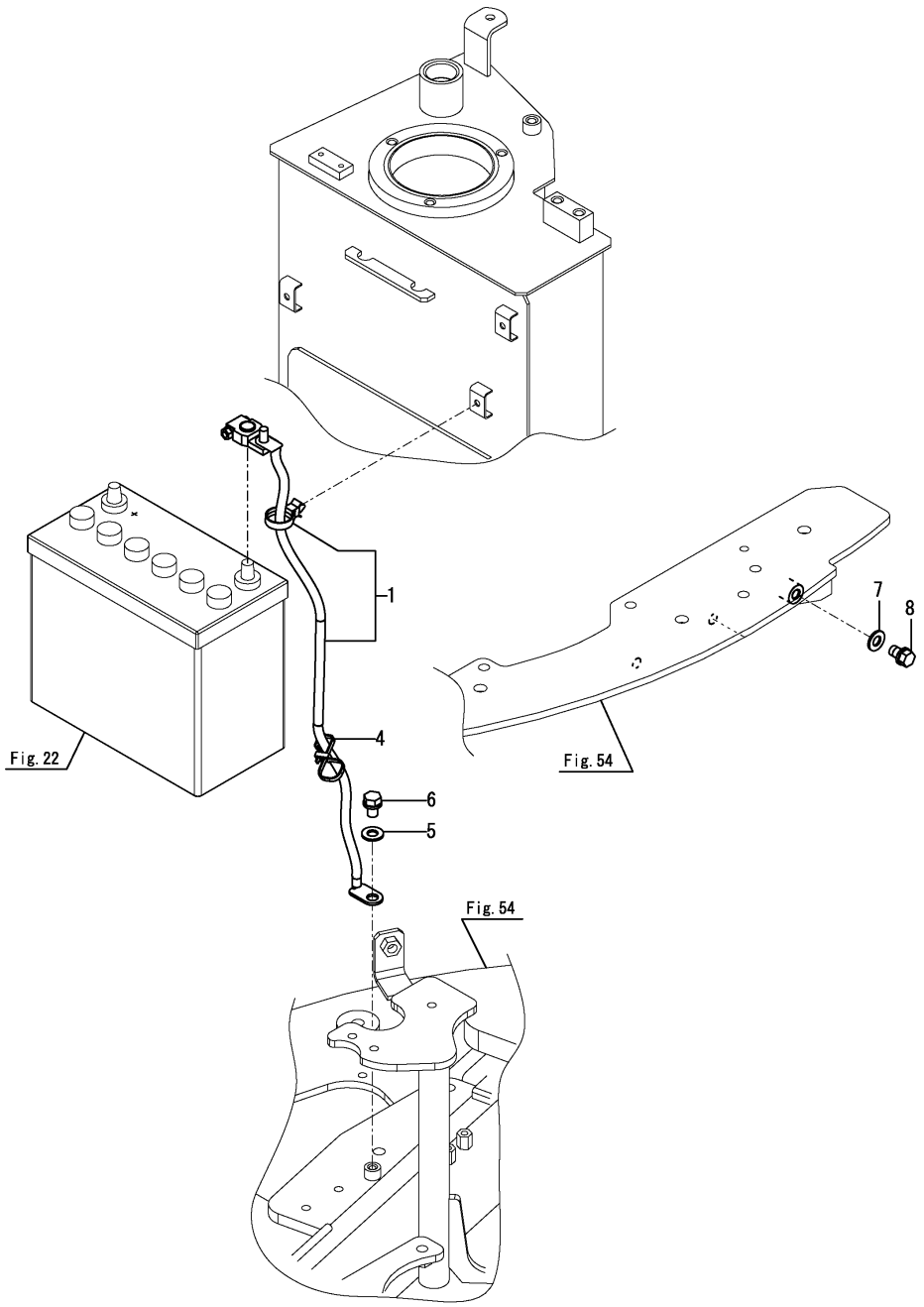


No.	Lev.	Parts No.	Description	Q'ty						I	R
				(A)	(B)	(C)	(D)	(E)	(F)		
		(A=M60563)	(B=M60563)	(C=M60563)	(D=M60563)	(E=M60563)	(F=M60563)				
51	1	26716-060002	NUT, M6	1	1	1	1	1	1		
52	1	26716-060002	NUT, M6	2	2	2	2	2	2		
53	1	26716-080002	NUT, M8	1	1	1	1	1	1		
54	1	933171-15801	CORD, ENGINE EARTH	1	1	1	1	1	1		
55	1	172137-16560	BAND	1	1	1	1	1	1	W	
		(A=*2014.09.)	(B=*2014.09.)	(C=*2014.09.)	(D=*2014.09.)	(E=*2014.09.)	(F=*2014.09.)				
56	1	194202-56460	BAND, 200	1	1	1	1	1	1	W	
		(A=*2014.09.)	(B=*2014.09.)	(C=*2014.09.)	(D=*2014.09.)	(E=*2014.09.)	(F=*2014.09.)				
57	1	194202-56460	BAND, 200	1	1	1	1	1	1	W	
		(A=*2014.09.)	(B=*2014.09.)	(C=*2014.09.)	(D=*2014.09.)	(E=*2014.09.)	(F=*2014.09.)				
58	1	172B16-16150	COVER, BATTERY	1	1	1	1	1	1	W	
		(A=MAF056)	(B=MAF056)	(C=MAF056)	(D=MAF056)	(E=MAF056)	(F=MAF056)				
59	1	194202-56460	BAND, 200	1	1	1	1	1	1	W	
		(A=MAF056)	(B=MAF056)	(C=MAF056)	(D=MAF056)	(E=MAF056)	(F=MAF056)				

Fig.23. BATTERY(MINUS CABLE)

(A)=VIO25-6A P(US)  
 (B)=VIO25-6A C(US)  
 (C)=VIO25-6A P(AS)

(D)=VIO25-6A C(AS)  
 (E)=VIO25-6A P(NZ)  
 (F)=VIO25-6A C(NZ)

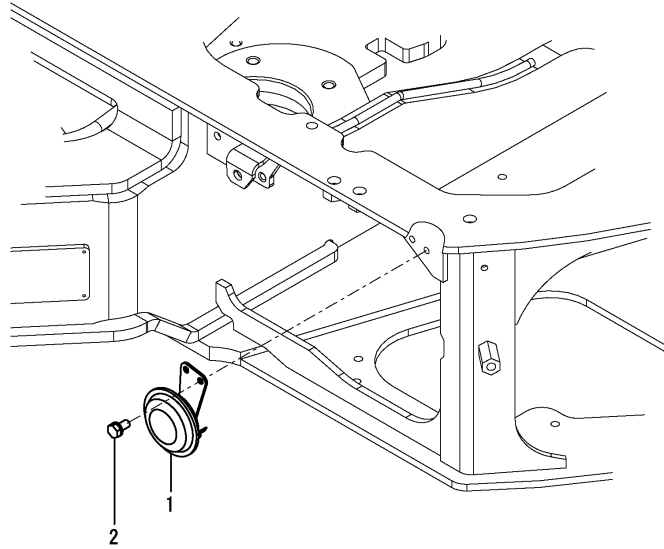


No.	Lev.	Parts No.	Description	Q'ty						I	R
				(A)	(B)	(C)	(D)	(E)	(F)		
1	1	172B16-16200	HARNES, BAT.MINUS	1	1	1	1	1	1		
4	1	172137-16560	BAND	1	1	1	1	1	1		
5	1	22137-080000	WASHER, 8	1	1	1	1	1	1		
6	1	26013-080122	BOLT, M8X 12	1	1	1	1	1	1		
7	1	22137-100000	WASHER, 10	1	1	1	1	1	1		W
		(A=M60680) (B=M60680) (C=M60680) (D=M60680)		(E=M60680)	(F=M60680)						
8	1	26116-100162	BOLT, M10X 16 PLATED	1	1	1	1	1	1		W
		(A=M60680) (B=M60680) (C=M60680) (D=M60680)		(E=M60680)	(F=M60680)						

Fig.24. HORN

(A)=VIO25-6A P(US)  
 (B)=VIO25-6A C(US)  
 (C)=VIO25-6A P(AS)

(D)=VIO25-6A C(AS)  
 (E)=VIO25-6A P(NZ)  
 (F)=VIO25-6A C(NZ)

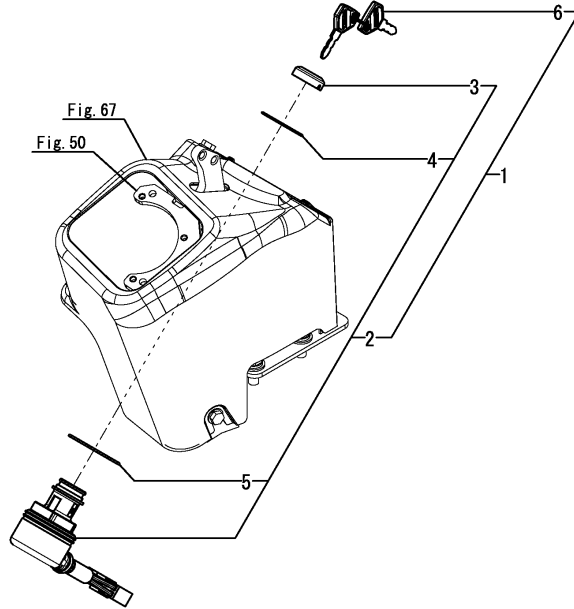


No.	Lev.	Parts No.	Description	Q'ty						I	R
				(A)	(B)	(C)	(D)	(E)	(F)		
1	1	194151-57100	HORN	1	1	1	1	1	1		
2	1	26013-060122	BOLT, M6X 12	2	2	2	2	2	2		

Fig.25. STARTER SWITCH

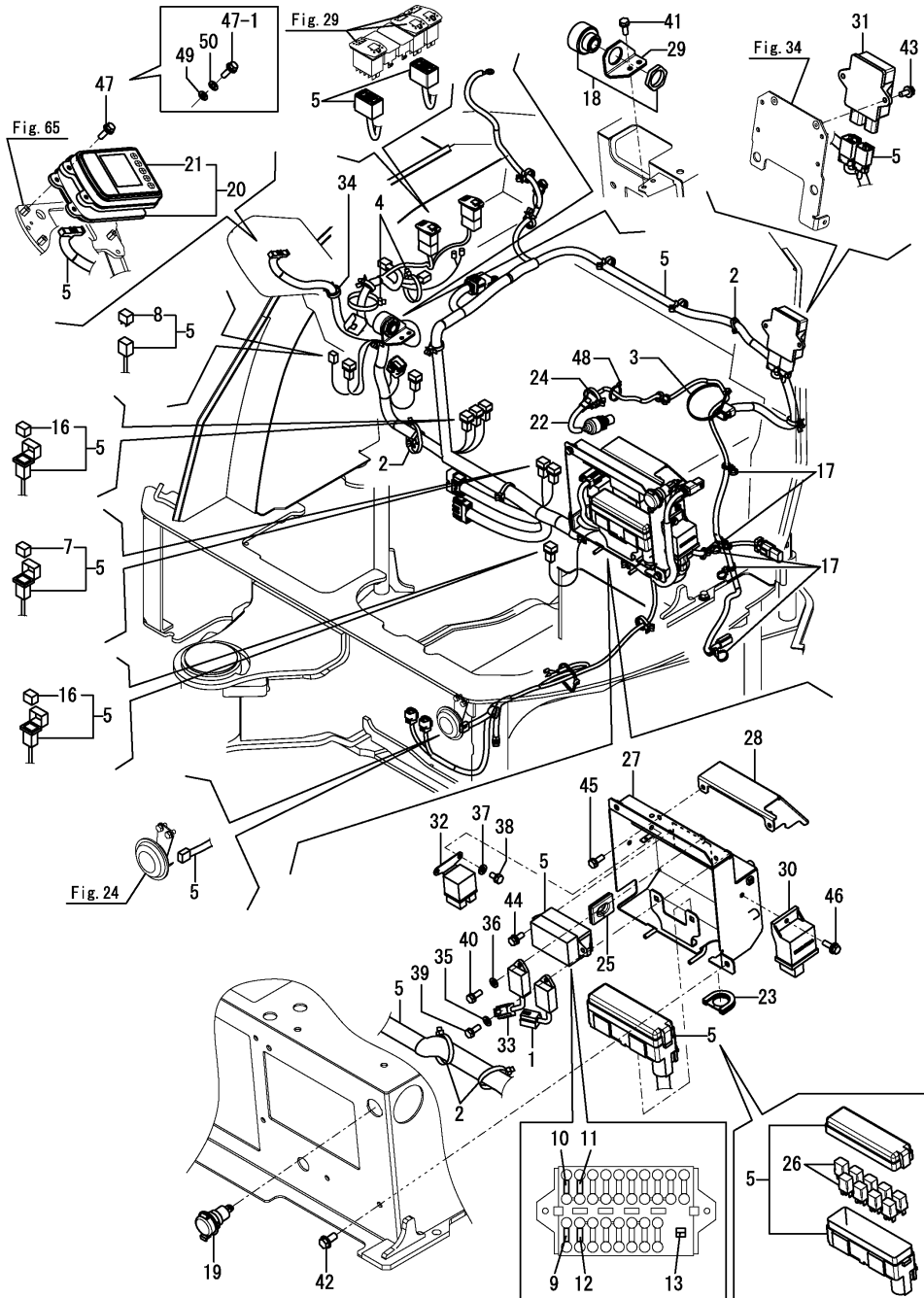
(A)=VIO25-6A P(US)  
 (B)=VIO25-6A C(US)  
 (C)=VIO25-6A P(AS)

(D)=VIO25-6A C(AS)  
 (E)=VIO25-6A P(NZ)  
 (F)=VIO25-6A C(NZ)



No.	Lev.	Parts No.	Description	Q'ty						I	R
				(A)	(B)	(C)	(D)	(E)	(F)		
1	1	172B11-17100	SWITCH ASSY, STARTER	1	1	1	1	1	1		
2	2	172B11-17110	CYLINDER ASSY, KEY	1	1	1	1	1	1		
3	3	172B11-17120	NUT, RING	1	1	1	1	1	1		
4	3	172B11-17130	WASHER	1	1	1	1	1	1		
5	3	172B11-17140	O-RING	1	1	1	1	1	1		
6	2	198360-52160	KEY ASSY, SPARE	1	1	1	1	1	1		

Fig.26. SEAT MOUNT

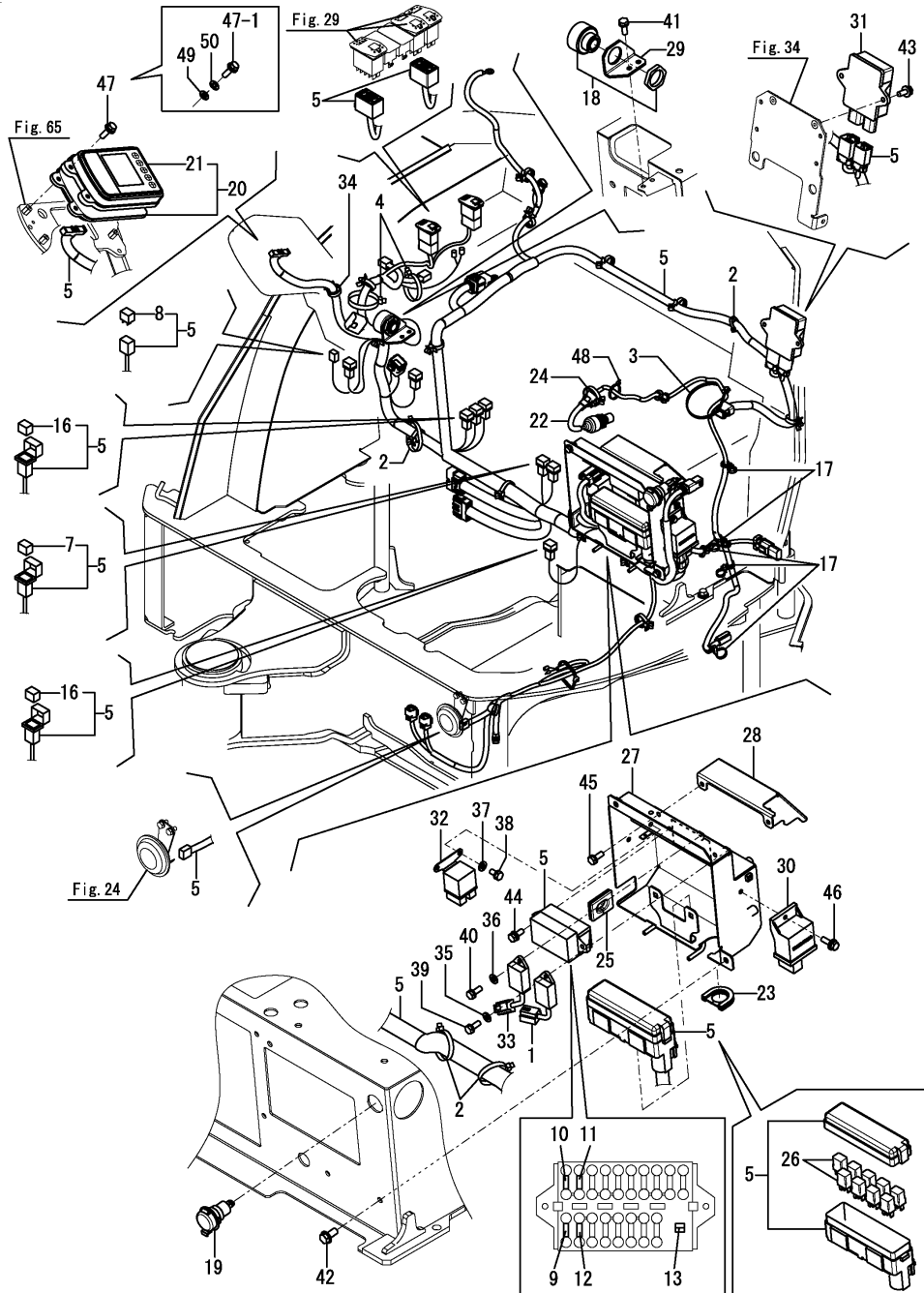


(A)=VIO25-6A P(US)  
 (B)=VIO25-6A C(US)  
 (C)=VIO25-6A P(AS)

(D)=VIO25-6A C(AS)  
 (E)=VIO25-6A P(NZ)  
 (F)=VIO25-6A C(NZ)

No.	Lev.	Parts No.	Description	Q'ty						I	R
				(A)	(B)	(C)	(D)	(E)	(F)		
1	1	1E8665-05100	TIMER, 3SEC	1	1	1	1	1	1		
2	1	172126-11510	BAND	4	4	4	4	4	4		
3	1	172126-11510	BAND	1	1	1	1	1	1		
4	1	172126-11510	BAND	2	2	2	2	2	2		
5	1	172B16-16541	HARNESS ASSY,B US	1	1	1	1	1	1		
5-1	1	172B16-16542	HARNESS ASSY,B US	1	1	1	1	1	1		N
5-2		(A=M60502) (B=M60502) (C=M60502) (D=M60502) (E=M60502) (F=M60502)	HARNESS ASSY,B US	1	1	1	1	1	1		N
		(A=M60747) (B=M60747) (C=M60747) (D=M60747) (E=M60747) (F=M60747)									
7	2	1A7500-51140	DIODE, 1.5AX2	2	2	2	2	2	2		
8	2	1A6382-51510	RESISTANCE, 2W R120	1	1	1	1	1	1		
9	2	198535-52110	FUSE, 5A	10	10	10	10	10	10		
10	2	198535-52120	FUSE, 10A	4	4	4	4	4	4		
11	2	198535-52130	FUSE, 15A	4	4	4	4	4	4		
12	2	198535-52140	FUSE, 20A	2	2	2	2	2	2		
13	2	1E9570-83900	MINI FUSE PULLER	1	1	1	1	1	1		
16	2	1E8235-84910	DIODE, 090 31	6	6	6	6	6	6		
17	1	172137-16560	BAND	6	6	6	6	6	6		
18	1	172B16-17200	BUZZER	1	1	1	1	1	1		
19	1	172A64-17250	SOCKET ASSY	1	1	1	1	1	1		
20	1	172B03-17254	MONITOR ASSY	1	1	1	1	1	1		
21	2	172B03-17261	MONITOR ASSY,UPPER	1	1	1	1	1	1		
22	1	1D4103-18301	SWITCH, PUSH	1	1	1	1	1	1		
23	1	198155-51290	GROMMET, D25	1	1	1	1	1	1		
24	1	194680-51670	BAND, CLIP	1	1	1	1	1	1		
25	1	1A7880-51710	GROMMET, HARNESS	1	1	1	1	1	1		
26	1	1A7522-52950	RELAY, ACM13221M19	7	7	7	7	7	7		
27	1	172B16-62801	BOX ASSY,ELLCC	1	1	1	1	1	1		
28	1	172B16-62850	BRACKET ASSY	1	1	1	1	1	1		
29	1	172B16-63650	BRACKET ASSY, BUZZER	1	1	1	1	1	1		
30	1	119802-77200	RELAY, SAFETY	1	1	1	1	1	1		
31	1	119C10-77600	DRIVER	1	1	1	1	1	1		
32	1	119650-77911	RELAY ASSY, GLOW	1	1	1	1	1	1		
33	1	129211-77920	TIMER	1	1	1	1	1	1		
34	1	1E8490-84130	CLAMP, BAND	1	1	1	1	1	1		
35	1	22137-060000	WASHER, 6	1	1	1	1	1	1		
36	1	22137-060000	WASHER, 6	1	1	1	1	1	1		
37	1	22137-060000	WASHER, 6	2	2	2	2	2	2		
38	1	26013-060122	BOLT, M6X 12	2	2	2	2	2	2		
39	1	26013-060162	BOLT, M6X 16	1	1	1	1	1	1		
40	1	26013-060162	BOLT, M6X 16	1	1	1	1	1	1		
41	1	26013-060162	BOLT, M6X 16	2	2	2	2	2	2		
42	1	26013-080162	BOLT, M8X 16	2	2	2	2	2	2		
43	1	26014-060162	BOLT, M6X 16	2	2	2	2	2	2		
44	1	26014-060162	BOLT, M6X 16	2	2	2	2	2	2		
45	1	26014-060162	BOLT, M6X 16	2	2	2	2	2	2		
46	1	26014-060202	BOLT, M6X 20	1	1	1	1	1	1		
47	1	26014-060202	BOLT, M6X 20	4	4	4	4	4	4		
47-1	1	26116-050202	BOLT, M5X 20 PLATED	4	4	4	4	4	4		S
		(A=M60760) (B=M60760) (C=M60760) (D=M60760) (E=M60760) (F=M60760)									
48	1	194202-56460	BAND, 200	1	1	1	1	1	1		W

Fig.26. SEAT MOUNT



(A)=VIO25-6A P(US)  
 (B)=VIO25-6A C(US)  
 (C)=VIO25-6A P(AS)

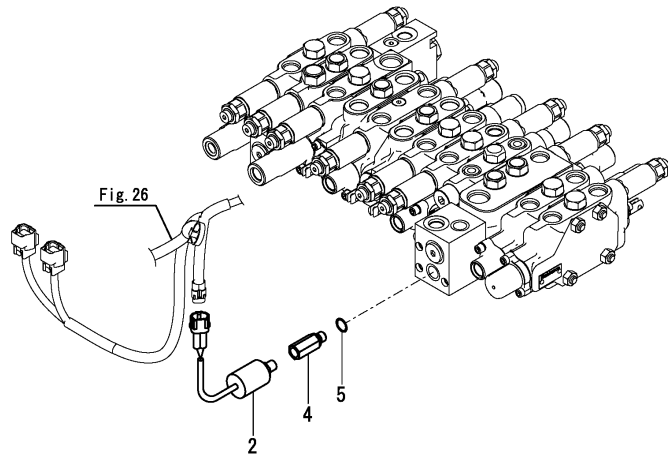
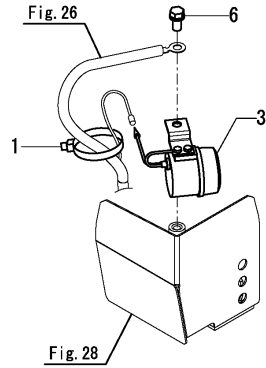
(D)=VIO25-6A C(AS)  
 (E)=VIO25-6A P(NZ)  
 (F)=VIO25-6A C(NZ)

No.	Lev.	Parts No.	Description	Q'ty						I	R		
				(A)	(B)	(C)	(D)	(E)	(F)				
49	1	(A=*2014.05.) 22137-050000	(B=*2014.05.) WASHER, 5	(C=*2014.05.)	(D=*2014.05.)	(E=*2014.05.)	(F=*2014.05.)						
		(A=M60760)	(B=M60760)	(C=M60760)	(D=M60760)	(E=M60760)	(F=M60760)	4	4	4	4	4	4
50	1	22217-050000	WASHER, SPRING 5										
		(A=M60760)	(B=M60760)	(C=M60760)	(D=M60760)	(E=M60760)	(F=M60760)	4	4	4	4	4	4

Fig.27. PRESSURE SWITCH

(A)=VIO25-6A P(US)  
 (B)=VIO25-6A C(US)  
 (C)=VIO25-6A P(AS)

(D)=VIO25-6A C(AS)  
 (E)=VIO25-6A P(NZ)  
 (F)=VIO25-6A C(NZ)

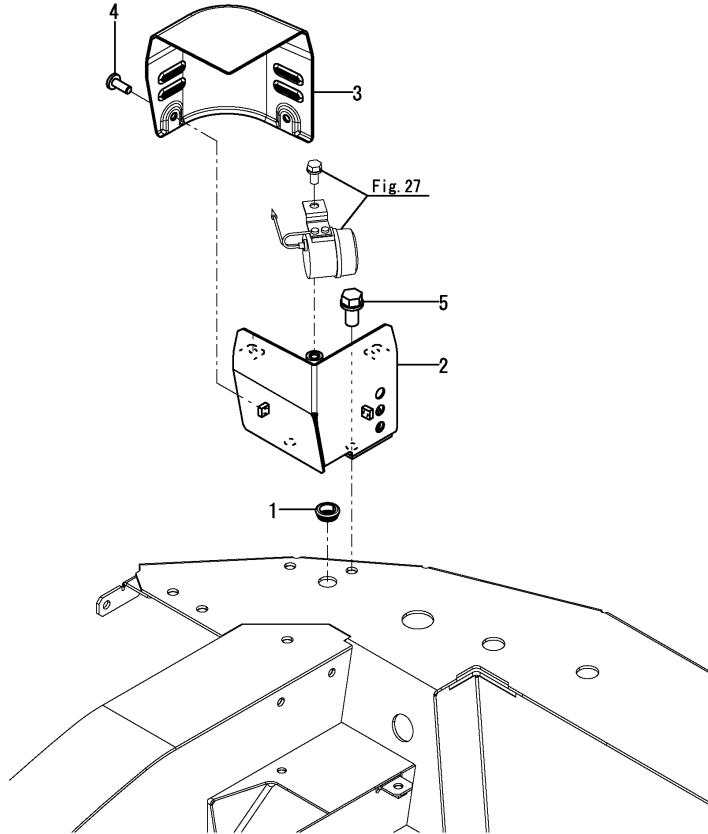


No.	Lev.	Parts No.	Description	Q'ty						I	R
				(A)	(B)	(C)	(D)	(E)	(F)		
1	1	172126-11510	BAND	1	1	1	1	1	1		
2	1	172478-17201	SWITCH, PRESSURE	1	1	1	1	1	1		
3	1	172511-17351	BUZZER, BACK	1	1	1	1	1	1		
4	1	172A47-76111	CONNECTOR, G1/8XR1/8	1	1	1	1	1	1		
5	2	24315-000080	O-RING, 1BP8.0	1	1	1	1	1	1		
6	1	26013-080162	BOLT, M8X 16	1	1	1	1	1	1		

Fig.28. TRAVEL ALARM

(A)=VIO25-6A P(US)  
 (B)=VIO25-6A C(US)  
 (C)=VIO25-6A P(AS)

(D)=VIO25-6A C(AS)  
 (E)=VIO25-6A P(NZ)  
 (F)=VIO25-6A C(NZ)



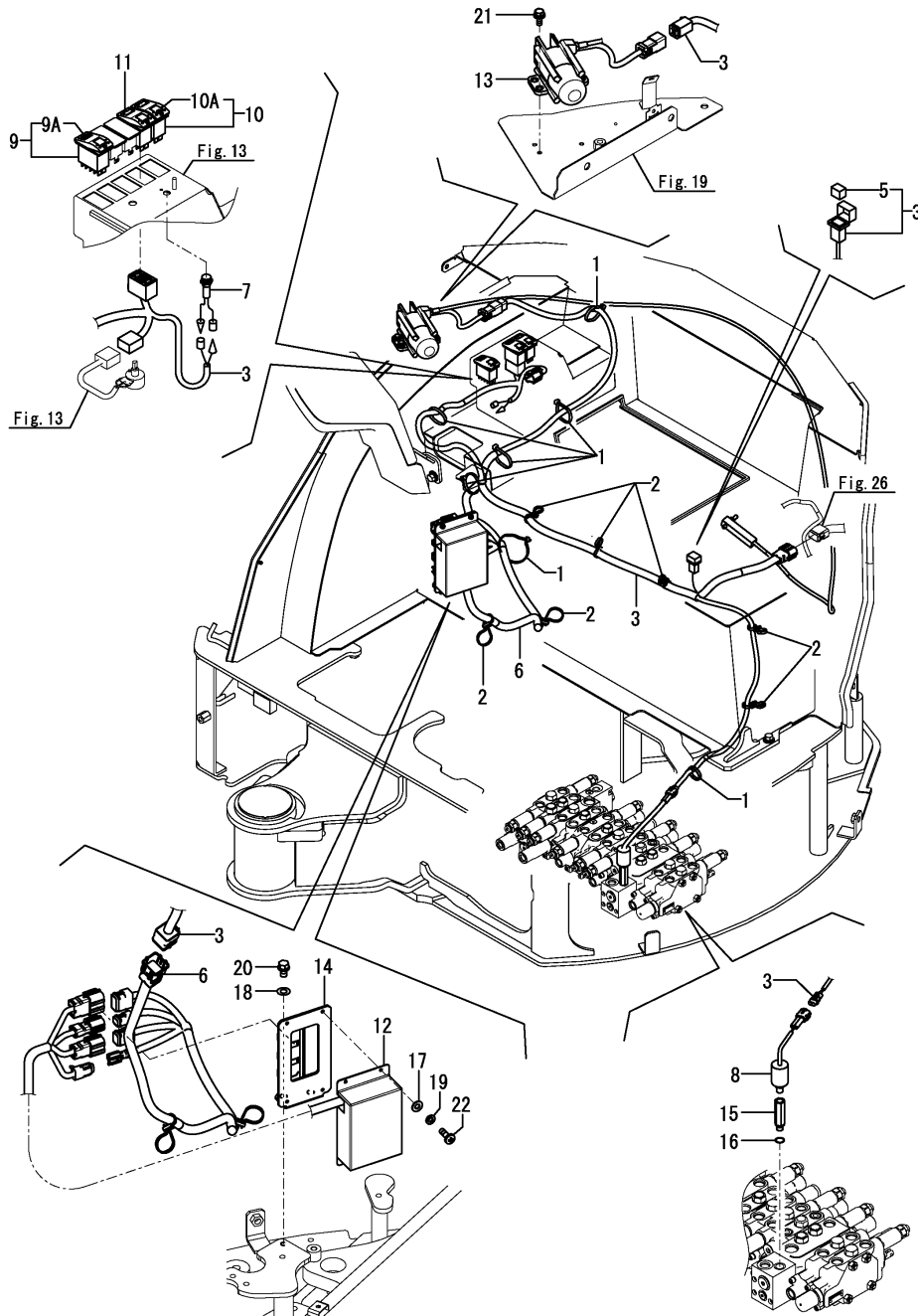
No.	Lev.	Parts No.	Description	Q'ty						I	R
				(A)	(B)	(C)	(D)	(E)	(F)		
1	1	1A7805-04980	STAY ASSY, LR TANK	1	1	1	1	1	1		
1-1	1	172B16-17170	GROMME,20X30X3	1	1	1	1	1	1		S
		(A=*2015.04)	(B=*2015.04)	(C=*2015.04)	(D=*2015.04)	(E=*2015.04)	(F=*2015.04)				
2	1	172B16-17100	COVER ASSY,BUZZER	1	1	1	1	1	1		
3	1	172B16-17160	COVER, BUZZER	1	1	1	1	1	1		
4	1	172137-46210	SCREW	2	2	2	2	2	2		
5	1	26013-100202	BOLT, M10X 20	2	2	2	2	2	2		



Fig.29. AUTO DECELERATION

(A)=VIO25-6A P(US)  
 (B)=VIO25-6A C(US)  
 (C)=VIO25-6A P(AS)

(D)=VIO25-6A C(AS)  
 (E)=VIO25-6A P(NZ)  
 (F)=VIO25-6A C(NZ)

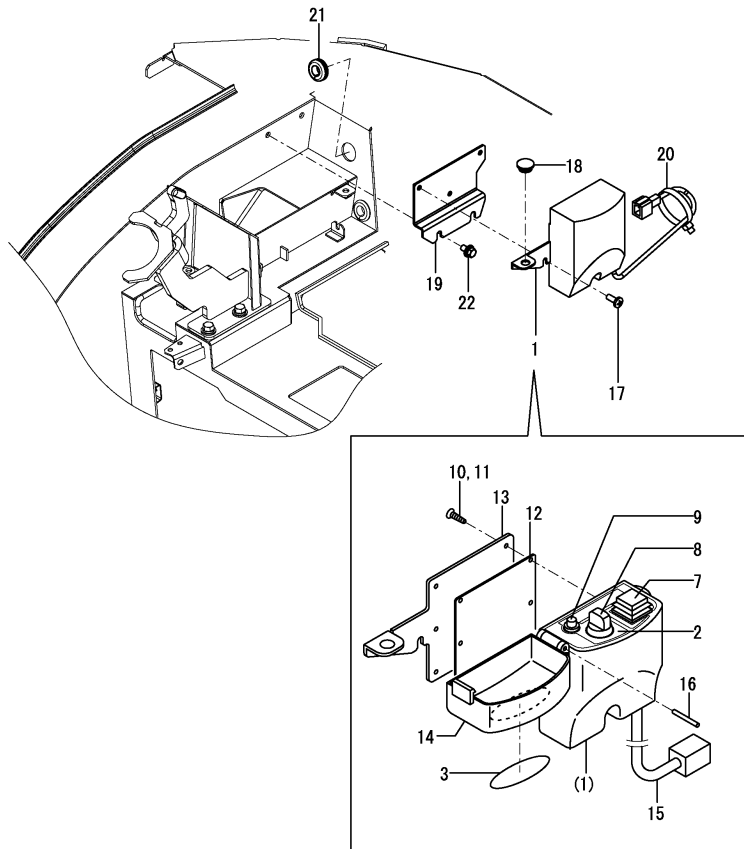


No.	Lev.	Parts No.	Description	Q'ty						I	R
				(A)	(B)	(C)	(D)	(E)	(F)		
1	1	172126-11510	BAND	7	7	7	7	7	7		
2	1	172137-16560	BAND	7	7	7	7	7	7		
3	1	172B16-16600	HARNESS ASSY,DECEL A	1	1	1	1	1	1		
5	2	1A7500-51140	DIODE, 1.5AX2	1	1	1	1	1	1		
6	1	172B16-16660	HARNESS,DECEL B	1	1	1	1	1	1		
7	1	172A65-17150	LAMP ASSY ASSY	1	1	1	1	1	1		
8	1	172478-17201	SWITCH, PRESSURE	1	1	1	1	1	1		
9	1	172B03-17301	SWITCH,LIGHT	1	1	1	1	1	1		
9A	2	172B03-17350	COVER,SWITCH LIGHT	1	1	1	1	1	1		
10	1	172B03-17320	SWITCH, AUTO DECEL	1	1	1	1	1	1		
10A	2	172B03-17370	COVER,SWITCH A/D	1	1	1	1	1	1		
11	1	172B16-17350	SWITCH, PTO-SWING	1	1	1	1	1	1		
12	1	172B16-17500	CONTROL-UNIT,AD	1	1	1	1	1	1		
13	1	172B16-17600	ACTUATOR,AD	1	1	1	1	1	1		
14	1	172B16-17700	BRACKET ASSY, CNT	1	1	1	1	1	1		
15	1	172A79-76110	CONNECTOR, G1/8XR1/8	1	1	1	1	1	1		
16	2	24315-000080	O-RING, 1BP8.0	1	1	1	1	1	1		
17	1	22137-040000	WASHER, 4	4	4	4	4	4	4		
18	1	22137-100000	WASHER, 10	2	2	2	2	2	2		
19	1	22217-040000	WASHER, SPRING 4	4	4	4	4	4	4		
20	1	26013-100162	BOLT, M10X 16	2	2	2	2	2	2		
21	1	26014-060162	BOLT, M6X 16	3	3	3	3	3	3		
22	1	26587-040122	SCREW, M4X12	4	4	4	4	4	4		

Fig.30. QUICK COUPLER(SWITCH BOX)

(A)=VIO25-6A P(US)  
 (B)=VIO25-6A C(US)  
 (C)=VIO25-6A P(AS)

(D)=VIO25-6A C(AS)  
 (E)=VIO25-6A P(NZ)  
 (F)=VIO25-6A C(NZ)



No.	Lev.	Parts No.	Description	Q'ty						I	R
				(A)	(B)	(C)	(D)	(E)	(F)		
1	1	172958-17111	BOX, SWITCH EX	1	1	1	1	1	1		1
1-1	1	172958-17410	BOX, SWITCH EX D	1	1	1	1	1	1		S 3
		(A=MAF001)	(B=MAF001)	(C=MAF001)	(D=MAF001)	(E=MAF001)	(F=MAF001)				
2	2	172472-03290	LABEL, SWITCH	1	1	1	1	1	1		
3	2	172472-03300	LABEL, COVER	1	1	1	1	1	1		
7	3	172958-17140	SWITCH ASSY	1	1	1	1	1	1		
8	3	172958-17150	SWITCH ASSY	1	1	1	1	1	1		
9	3	172958-17160	LAMP, INDICATOR	1	1	1	1	1	1		
10	3	172958-17170	SCREW, TAPPING	6	6	6	6	6	6		
11	3	172958-17180	SCREW, TAPPING	2	2	2	2	2	2		
12	3	172958-17190	PACKING	1	1	1	1	1	1		
13	3	172958-17200	BRACKET	1	1	1	1	1	1		
14	3	172958-17210	CASE	1	1	1	1	1	1		1
14-1	3	172958-17230	CASE, UPPER	1	1	1	1	1	1		S 3
		(A=MAF001)	(B=MAF001)	(C=MAF001)	(D=MAF001)	(E=MAF001)	(F=MAF001)				
15	3	172958-17220	CORD	1	1	1	1	1	1		
16	3	22351-030028	PIN, SPRING 3.0X28	1	1	1	1	1	1		
17	1	172137-46210	SCREW	3	3	3	3	3	3		
18	1	172187-64900	PLUG	1	1	1	1	1	1		
19	1	172B16-17900	STAY ASSY, SWITCH BOX	1	1	1	1	1	1		
20	1	194202-56460	BAND, 200	1	1	1	1	1	1		
21	1	172958-64500	PLUG	1	1	1	1	1	1		2
21-1	1	172958-64600	PLUG, BLACK 28	1	1	1	1	1	1		S 4
		(A=MAF001)	(B=MAF001)	(C=MAF001)	(D=MAF001)	(E=MAF001)	(F=MAF001)				
22	1	26014-080162	BOLT, M8X 16	2	2	2	2	2	2		

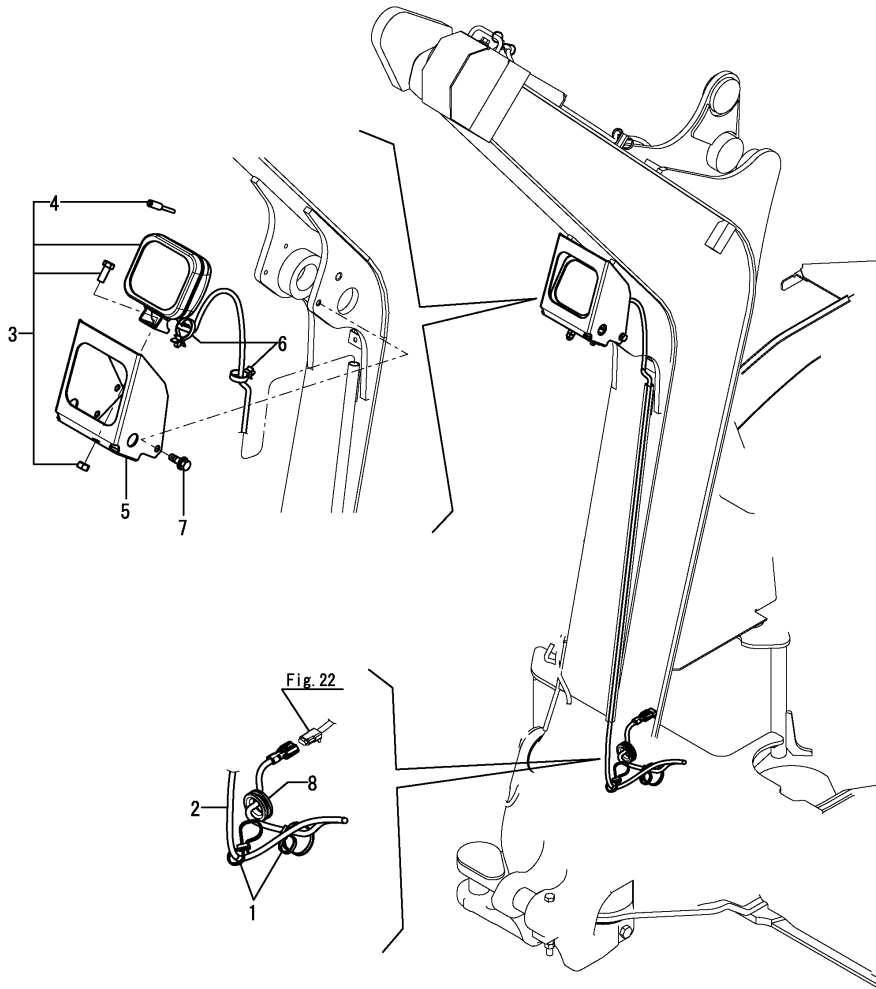
Remarks

- (1)Color = DARK OLIVE GRAY.
- (2)Color = WORM GRAY.
- (3)Color = PANTONE 425C.
- (4)Color = BLACK.

Fig.31. WORK LAMP

(A)=VIO25-6A P(US)  
 (B)=VIO25-6A C(US)  
 (C)=VIO25-6A P(AS)

(D)=VIO25-6A C(AS)  
 (E)=VIO25-6A P(NZ)  
 (F)=VIO25-6A C(NZ)



No.	Lev.	Parts No.	Description	Q'ty						I	R
				(A)	(B)	(C)	(D)	(E)	(F)		
1	1	172137-16560	BAND	2	2	2	2	2	2		
2	1	172B16-16560	HARNES,BOOM LAMP	1	1	1	1	1	1		
3	1	172B03-17460	LAMP ASSY,WORK	1	1	1	1	1	1		
4	2	172B03-17470	BULB, 12V 55W	1	1	1	1	1	1		
5	1	172B16-17920	BRACKET,LAMP	1	1	1	1	1	1		
6	1	1E8775-84120	CLAMP, BAND	2	2	2	2	2	2		
7	1	26014-080202	BOLT, M8X 20	3	3	3	3	3	3		
8	1	933171-15680	GROMMET	1	1	1	1	1	1		

Fig.32. INSTRUMENT PANEL

(A)=VIO25-6A P(US)  
 (B)=VIO25-6A C(US)  
 (C)=VIO25-6A P(AS)

(D)=VIO25-6A C(AS)  
 (E)=VIO25-6A P(NZ)  
 (F)=VIO25-6A C(NZ)

No.	Lev.	Parts No.	Description	Q'ty						I	R
				(A)	(B)	(C)	(D)	(E)	(F)		
1	1	172B03-17301	SWITCH,LIGHT	1	1	1	1	1	1		
1A	2	172B03-17350	COVER,SWITCH LIGHT	1	1	1	1	1	1		
2	1	172B16-17350	SWITCH, PTO-SWING	1	1	1	1	1	1		
3	1	172B16-63200	COVER, SWITCH STD	1	1	1	1	1	1		
4	1	172519-63240	BOLT	2	2	2	2	2	2		
5	1	172175-65641	TRIM	1	1	1	1	1	1		

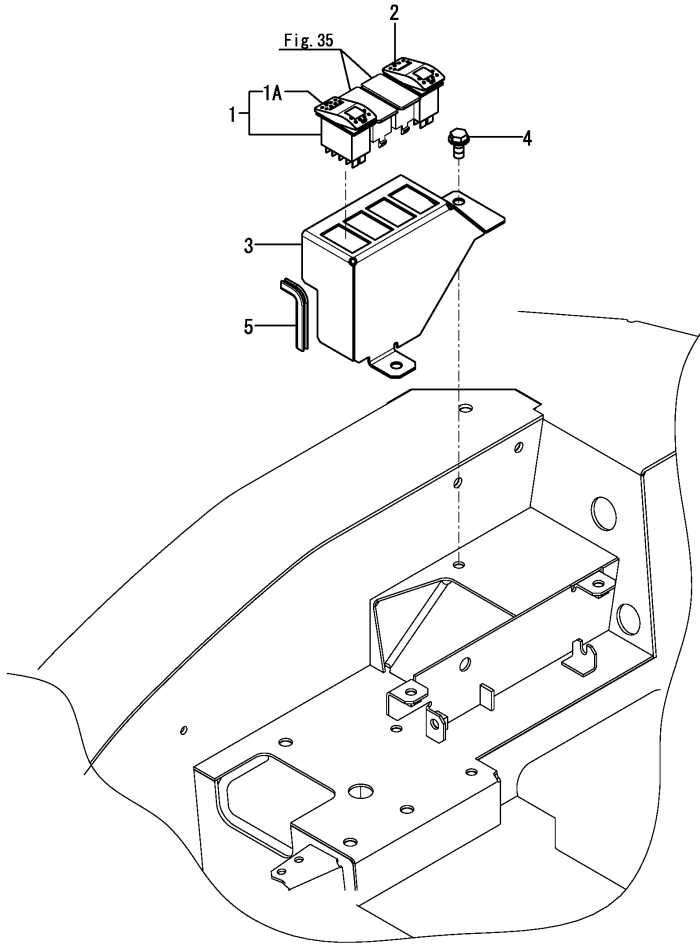
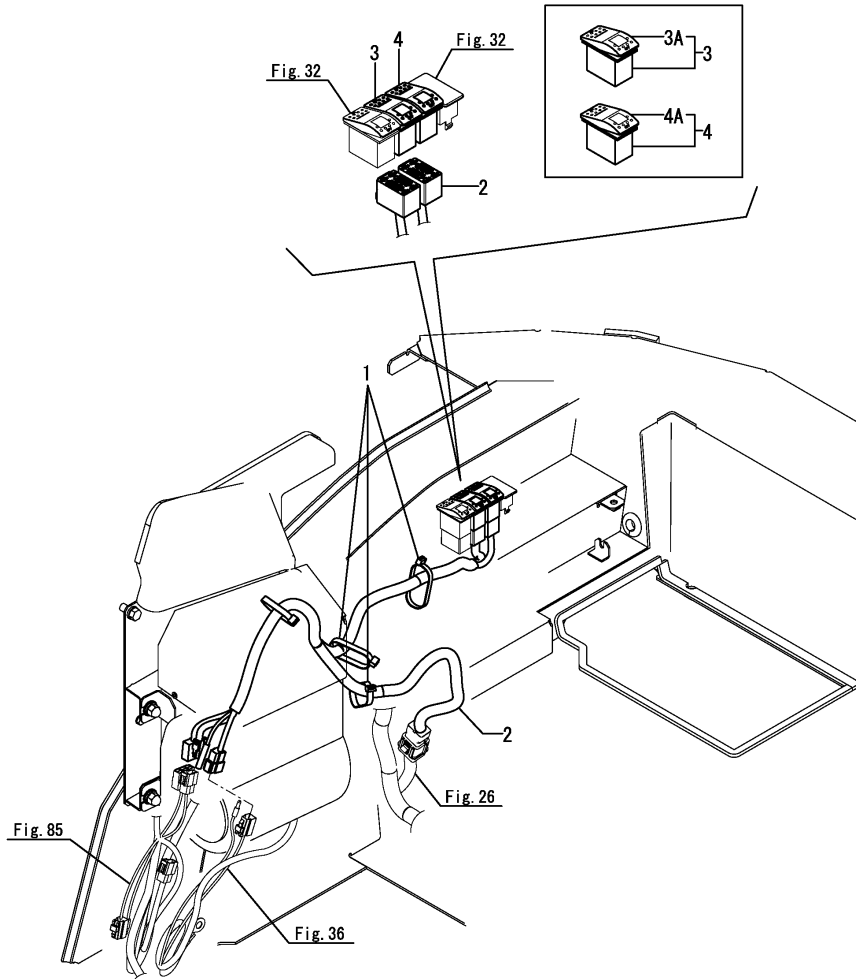


Fig.33. HEATER

(A)=VIO25-6A P(US)  
 (B)=VIO25-6A C(US)  
 (C)=VIO25-6A P(AS)

(D)=VIO25-6A C(AS)  
 (E)=VIO25-6A P(NZ)  
 (F)=VIO25-6A C(NZ)



No.	Lev.	Parts No.	Description	Q'ty						I	R	
				(A)	(B)	(C)	(D)	(E)	(F)			
1	1	172126-11510	BAND	3			3					
2	1	172B16-16850	HARNESS ASSY, CABIN	1			1					
3	1	172B03-17331	SWITCH,WIPER	1			1					
3A	2	172B03-17380	COVER,SWITCH WIPER	1			1					
4	1	172B03-17341	SWITCH,HEATER	1			1					
4A	2	172B03-17390	COVER,SWITCH HEATER	1			1					

Fig.34. BRACKET(GPS)

(A)=VIO25-6A P(US)  
 (B)=VIO25-6A C(US)  
 (C)=VIO25-6A P(AS)

(D)=VIO25-6A C(AS)  
 (E)=VIO25-6A P(NZ)  
 (F)=VIO25-6A C(NZ)

No.	Lev.	Parts No.	Description	Q'ty						I	R
				(A)	(B)	(C)	(D)	(E)	(F)		
1	1	172B16-17830	BRACKET ASSY, GPS	1	1	1	1	1	1		
2	1	172B16-17860	COLLAR, 10.5X6	2	2	2	2	2	2		
3	1	172162-61850	GROMMET	2	2	2	2	2	2		
4	1	26014-080202	BOLT, M8X 20	2	2	2	2	2	2		

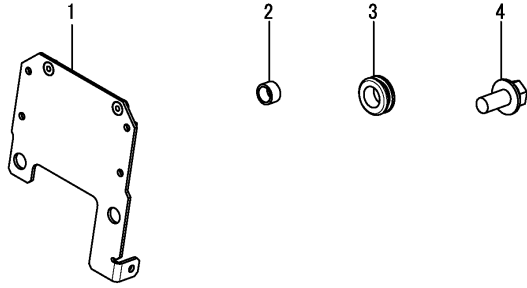
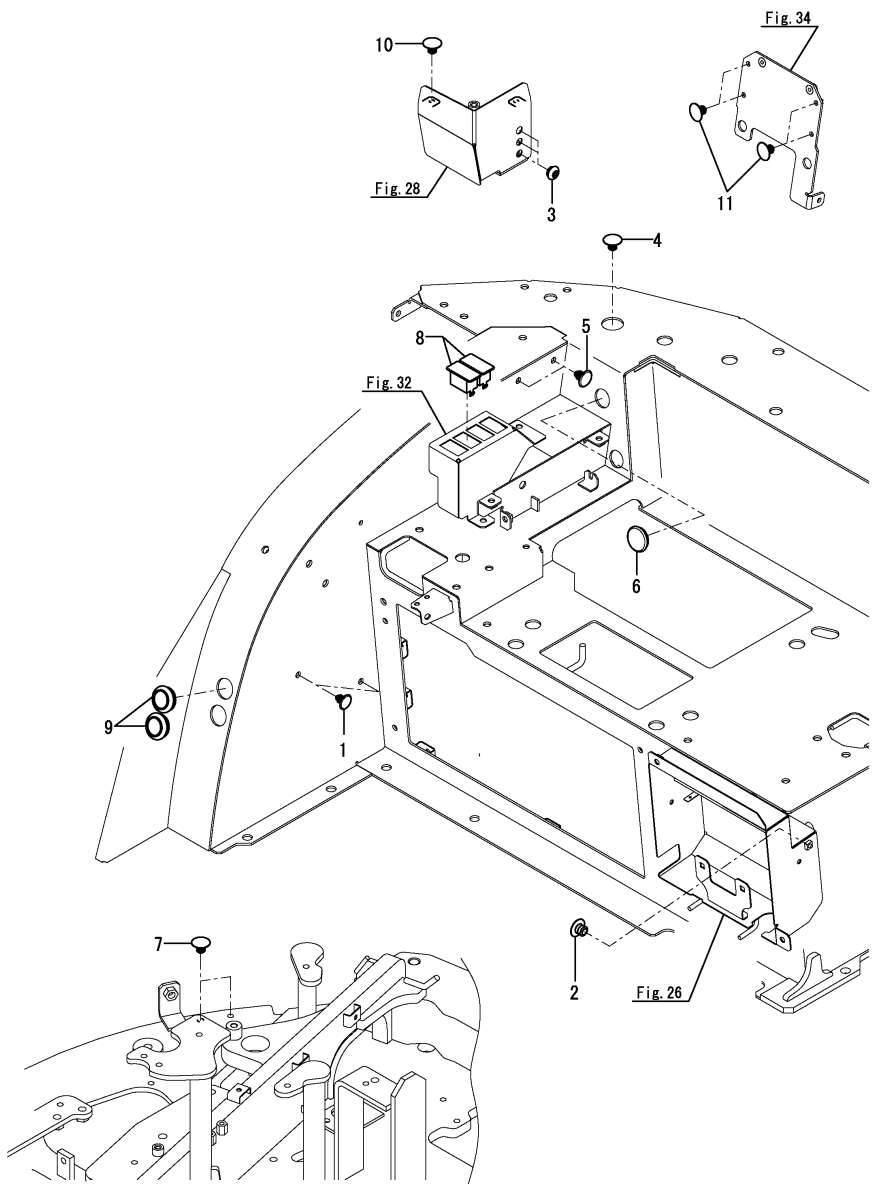


Fig.35. PLUG

(A)=VIO25-6A P(US)  
 (B)=VIO25-6A C(US)  
 (C)=VIO25-6A P(AS)

(D)=VIO25-6A C(AS)  
 (E)=VIO25-6A P(NZ)  
 (F)=VIO25-6A C(NZ)



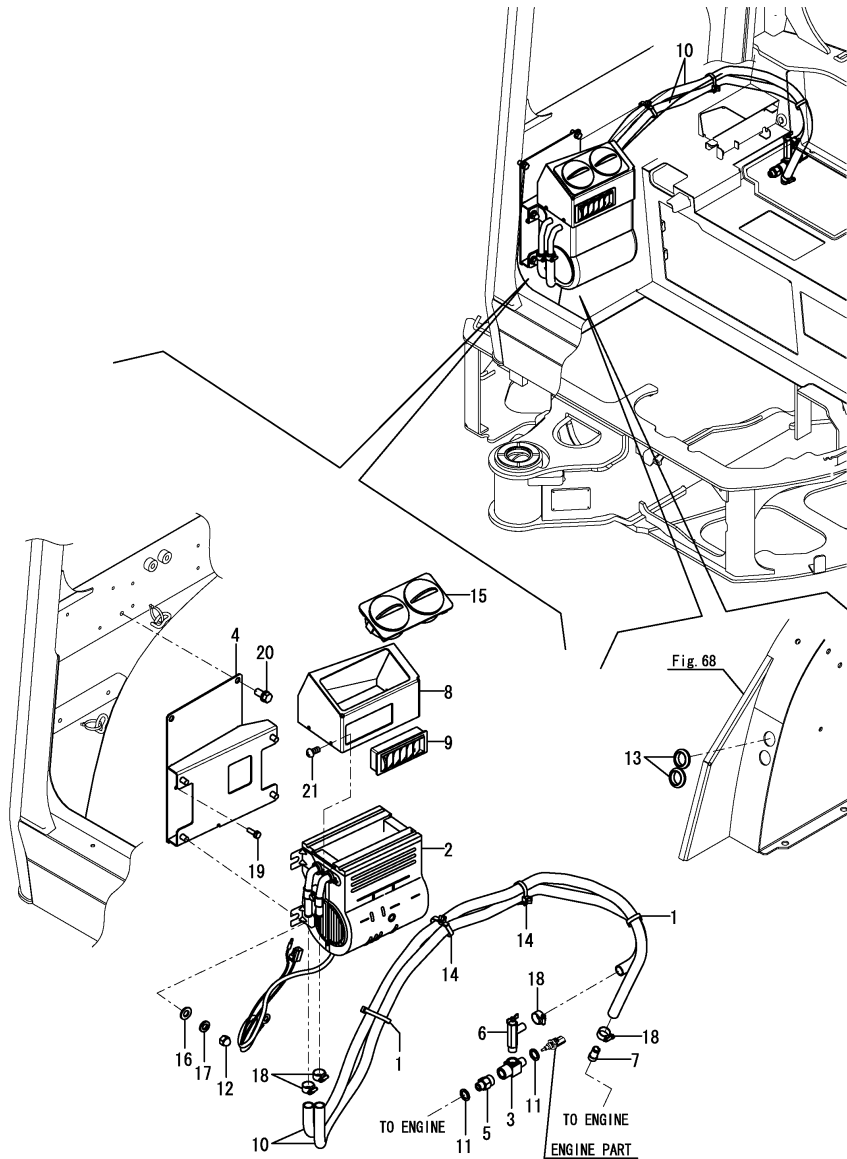
No.	Lev.	Parts No.	Description	Q'ty						I	R
				(A)	(B)	(C)	(D)	(E)	(F)		
1	1	172444-17660	CLIP, TREE	2	2	2	2	2	2		
2	1	172B02-68810	CLIP, TREE 6	1	1	1	1	1	1		
3	1	172732-65180	GROMMET	3	3	3	3	3	3		
4	1	172176-68210	CLIP, TREE	1		1		1			
5	1	172444-17660	CLIP, TREE	2	2	2					1
6	1	172A21-61600	PLUG	1	1	1					1
7	1	172183-81160	CLIP, TREE	2	2	2	2	2	2		2
8	1	172538-17100	PLUG, PANEL	2		2		2			
9	1	172456-53700	GROMMET	2		2		2			
10	1	172B02-68810	CLIP, TREE 6	2	2	2	2	2	2		
11	1	172B02-68810	CLIP, TREE 6	4	4	4	4	4	4		

Remarks  
 (1)Not applied for quick coupler specification.  
 (2)Not applied for decel specification.

Fig.36. HEATER

(A)=VIO25-6A P(US)  
 (B)=VIO25-6A C(US)  
 (C)=VIO25-6A P(AS)

(D)=VIO25-6A C(AS)  
 (E)=VIO25-6A P(NZ)  
 (F)=VIO25-6A C(NZ)



No.	Lev.	Parts No.	Description	Q'ty						I	R
				(A)	(B)	(C)	(D)	(E)	(F)		
1	1	172126-11510	BAND		2		2		2		
2	1	172458-17551	HEATER		1		1		1		1
2A	1	172437-03302	LABEL, MANUAL		1		1		1		2
3	1	172168-17601	CONNECTOR		1		1		1		
4	1	172B16-17620	BRACKET ASSY, HEATER		1		1		1		
5	1	172137-17631	JOINT, HEATER		1		1		1		
6	1	172425-17630	VALVE ASSY, HEATER		1		1		1		
7	1	172124-17640	JOINT, PIPE		1		1		1		
8	1	172B16-17660	DUCT ASSY,HEATER		1		1		1		
9	1	172458-17700	GRILLE		1		1		1		
10	1	172B16-19860	HOSE, HEATER		2		2		2		
11	1	124465-44950	GASKET, 16		2		2		2		
12	1	172458-63470	NUT, CAP		4		4		4		
13	1	172137-66230	GROMMET		2		2		2		
14	1	1E8490-84130	CLAMP, BAND		2		2		2		
15	1	1A7030-87411	GRILLE ASSY, FRONT		1		1		1		
16	1	22137-100000	WASHER, 10		4		4		4		
17	1	22217-100000	WASHER, SPRING 10		4		4		4		
18	1	23001-022000	CLAMP, HOSE 22		4		4		4		
19	1	26013-060202	BOLT, M6X 20		2		2		2		
20	1	26013-100202	BOLT, M10X 20		2		2		2		
21	1	26587-040122	SCREW, M4X12		4		4		4		

Remarks

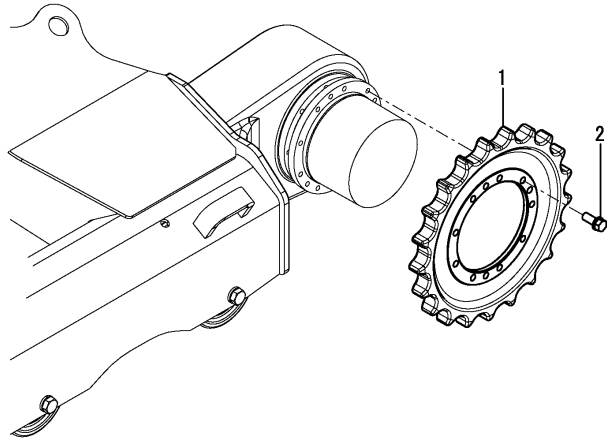
- (1)Please use this part with following labels at the same time.  
No.2A.
- (2)Not illustrated.



Fig.37. SPROCKET

(A)=VIO25-6A P(US)  
 (B)=VIO25-6A C(US)  
 (C)=VIO25-6A P(AS)

(D)=VIO25-6A C(AS)  
 (E)=VIO25-6A P(NZ)  
 (F)=VIO25-6A C(NZ)

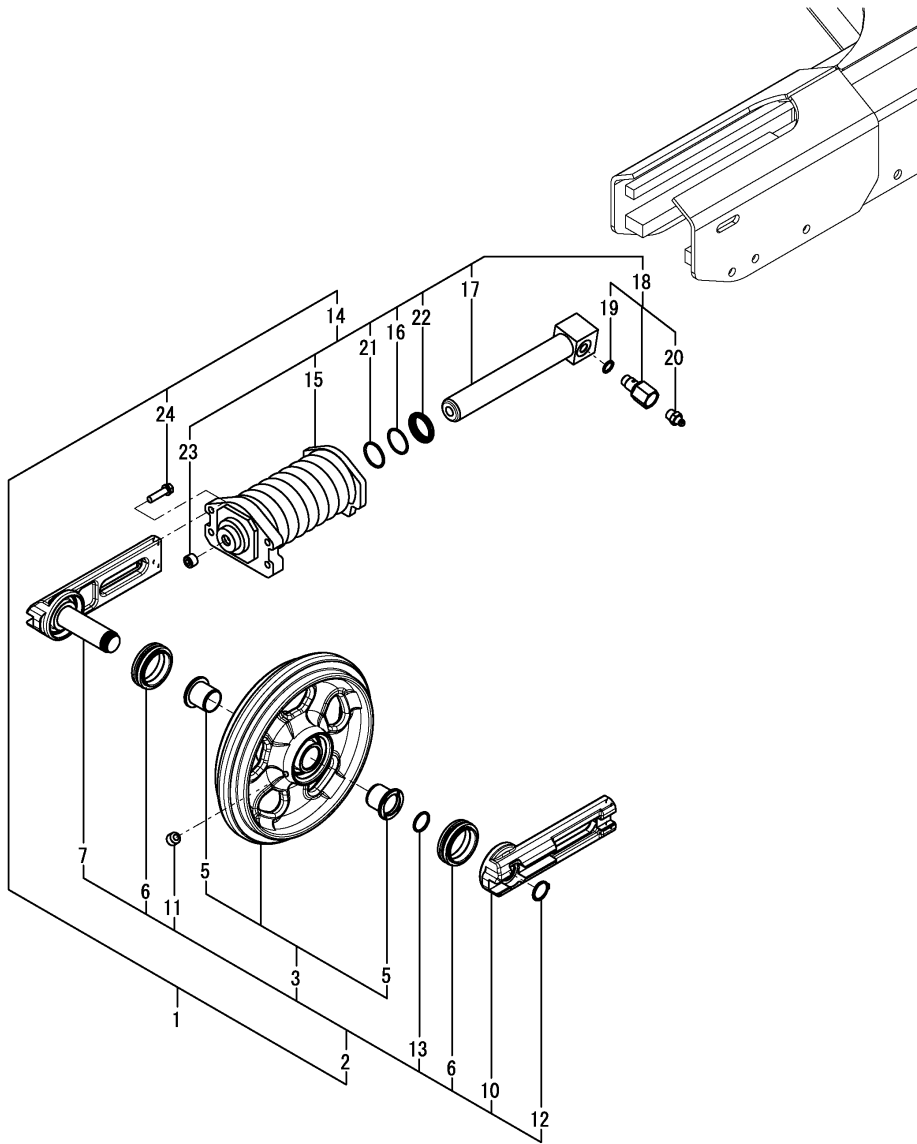


No.	Lev.	Parts No.	Description	Q'ty						I	R
				(A)	(B)	(C)	(D)	(E)	(F)		
1	1	172457-29100-2	SPROCKET	2	2	2	2	2	2		
2	1	26013-100252	BOLT, M10X 25	24	24	24	24	24	24		

Fig.38. IDLER & ADJUST(RUBBER CRAWLER SPEC.)

(A)=VIO25-6A P(US)  
 (B)=VIO25-6A C(US)  
 (C)=VIO25-6A P(AS)

(D)=VIO25-6A C(AS)  
 (E)=VIO25-6A P(NZ)  
 (F)=VIO25-6A C(NZ)

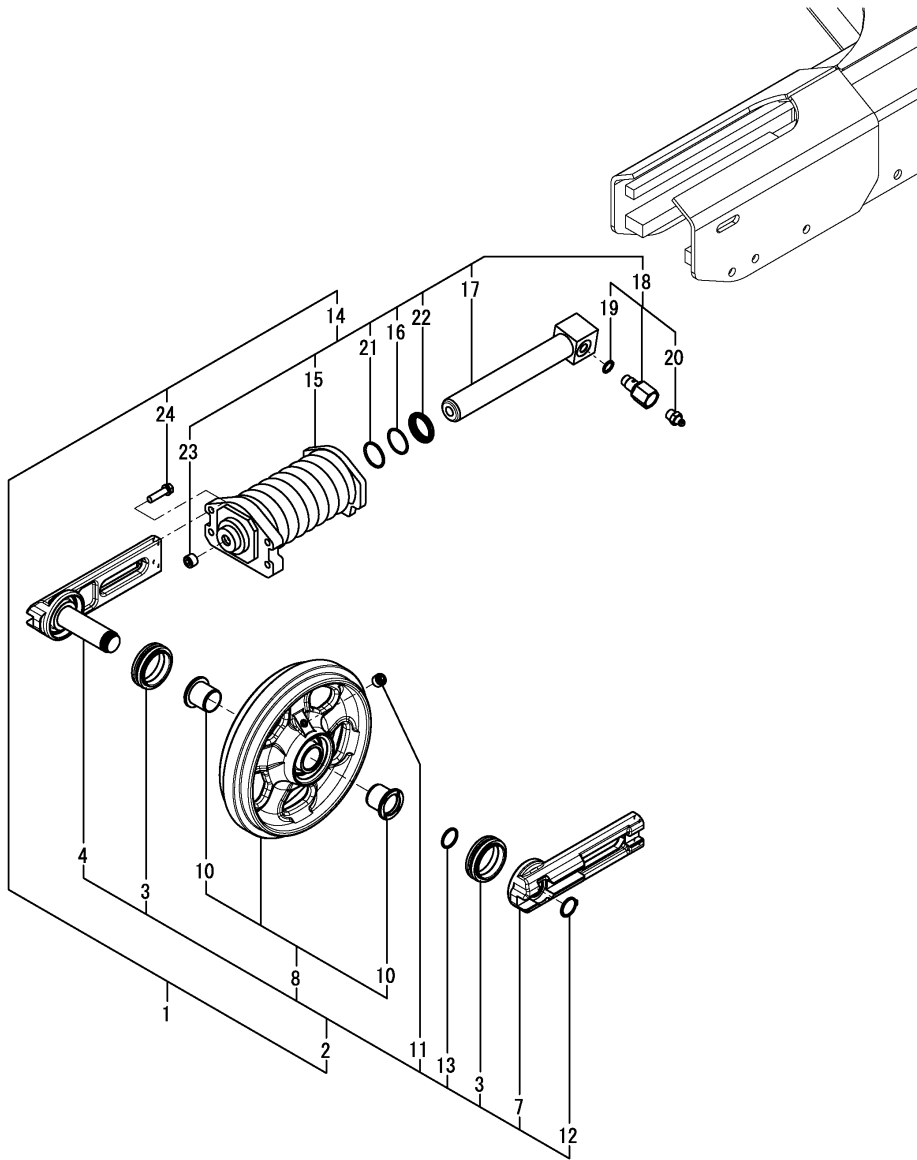


No.	Lev.	Parts No.	Description	Q'ty						I	R
				(A)	(B)	(C)	(D)	(E)	(F)		
1	1	172B03-37100	IDLER ASSY, RUBBER	2	2	2	2	2	2		
2	2	172B03-37110	IDLER ASSY, RUBBER	2	2	2	2	2	2		
3	3	172458-37102	IDLER, 295	2	2	2	2	2	2		
5	4	172A77-37370	BUSH	4	4	4	4	4	4		
6	3	172458-37120	SEAL, FLOATING	4	4	4	4	4	4		
7	3	172458-37131	SHAFT ASSY, IDLER	2	2	2	2	2	2		
10	3	172458-37151	COVER, SEAL	2	2	2	2	2	2		
11	3	194630-42120	PLUG, PT1/8	2	2	2	2	2	2		
12	3	22242-000300	RING, 30	2	2	2	2	2	2		
13	3	24321-000300	O-RING, 1AG30.0	2	2	2	2	2	2		
14	2	172B03-37700	ADJUSTER ASSY	2	2	2	2	2	2		
15	3	172458-37700	SPRING ASSY, CRAWLER	2	2	2	2	2	2		
16	3	172460-37750	RING, BACK UP	2	2	2	2	2	2		
17	3	172B03-37780	PISTON ASSY, ADJUST	2	2	2	2	2	2		
18	3	172B03-37840	VALVE ASSY, NIPPLE	2	2	2	2	2	2		
19	4	172B03-37850	SEAL, SQUARE	2	2	2	2	2	2		
20	4	24761-020000	NIPPLE, GREASE PT1/8	2	2	2	2	2	2		
21	3	24325-000400	O-RING, 1BG40.0	2	2	2	2	2	2		
22	3	933111-23600	SEAL, OIL	2	2	2	2	2	2		
23	3	933171-13691	PLUG	2	2	2	2	2	2		
24	2	26013-100402	BOLT, M10X 40	8	8	8	8	8	8		

Fig.39. IDLER & ADJUST(IRON CRAWLER SPEC.)

(A)=VIO25-6A P(US)  
 (B)=VIO25-6A C(US)  
 (C)=VIO25-6A P(AS)

(D)=VIO25-6A C(AS)  
 (E)=VIO25-6A P(NZ)  
 (F)=VIO25-6A C(NZ)

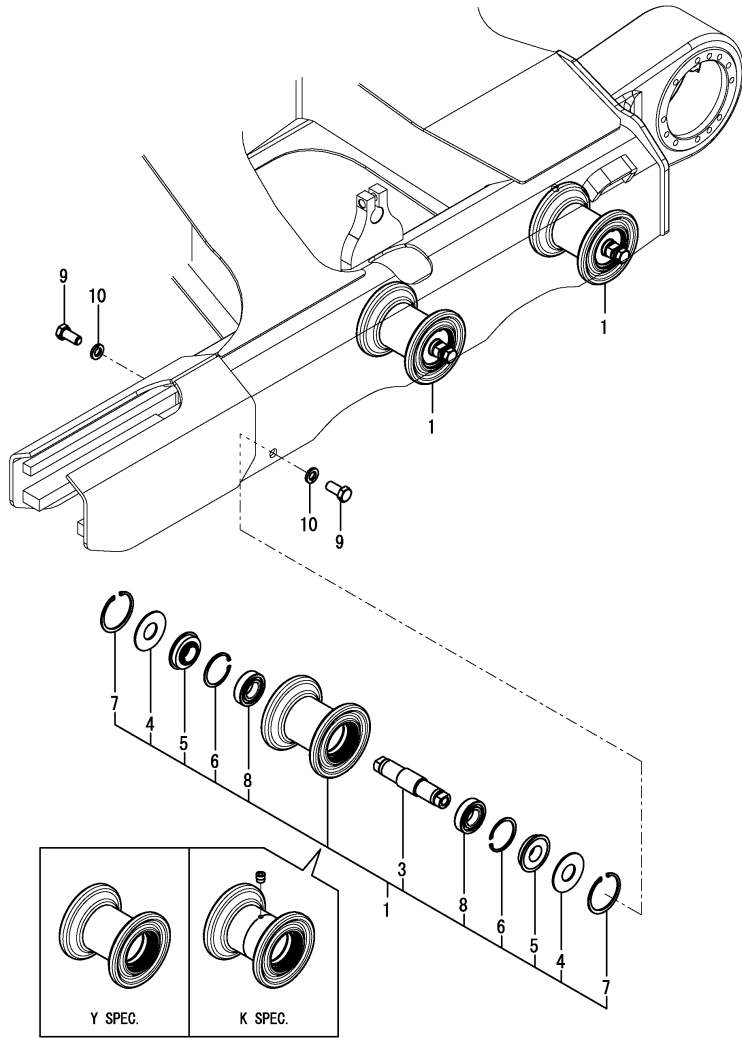


No.	Lev.	Parts No.	Description	Q'ty						I	R
				(A)	(B)	(C)	(D)	(E)	(F)		
1	1	172B03-37120	IDLER ASSY, IRON	2	2	2	2	2	2		
2	2	172B03-37130	IDLER ASSY, IRON	2	2	2	2	2	2		
3	3	172458-37120	SEAL, FLOATING	4	4	4	4	4	4		
4	3	172458-37131	SHAFT ASSY, IDLER	2	2	2	2	2	2		
7	3	172458-37151	COVER, SEAL	2	2	2	2	2	2		
8	3	172458-37172	IDLER, 280	2	2	2	2	2	2		
10	4	172A77-37370	BUSH	4	4	4	4	4	4		
11	3	194630-42120	PLUG, PT1/8	2	2	2	2	2	2		
12	3	22242-000300	RING, 30	2	2	2	2	2	2		
13	3	24321-000300	O-RING, 1AG30.0	2	2	2	2	2	2		
14	2	172B03-37700	ADJUSTER ASSY	2	2	2	2	2	2		
15	3	172458-37700	SPRING ASSY, CRAWLER	2	2	2	2	2	2		
16	3	172460-37750	RING, BACK UP	2	2	2	2	2	2		
17	3	172B03-37780	PISTON ASSY, ADJUST	2	2	2	2	2	2		
18	3	172B03-37840	VALVE ASSY, NIPPLE	2	2	2	2	2	2		
19	4	172B03-37850	SEAL, SQUARE	2	2	2	2	2	2		
20	4	24761-020000	NIPPLE, GREASE PT1/8	2	2	2	2	2	2		
21	3	24325-000400	O-RING, 1BG40.0	2	2	2	2	2	2		
22	3	933111-23600	SEAL, OIL	2	2	2	2	2	2		
23	3	933171-13691	PLUG	2	2	2	2	2	2		
24	2	26013-100402	BOLT, M10X 40	8	8	8	8	8	8		

Fig.40. TRACK ROLLER(Y SPEC.)(TO M60501)

(A)=VIO25-6A P(US)  
 (B)=VIO25-6A C(US)  
 (C)=VIO25-6A P(AS)

(D)=VIO25-6A C(AS)  
 (E)=VIO25-6A P(NZ)  
 (F)=VIO25-6A C(NZ)



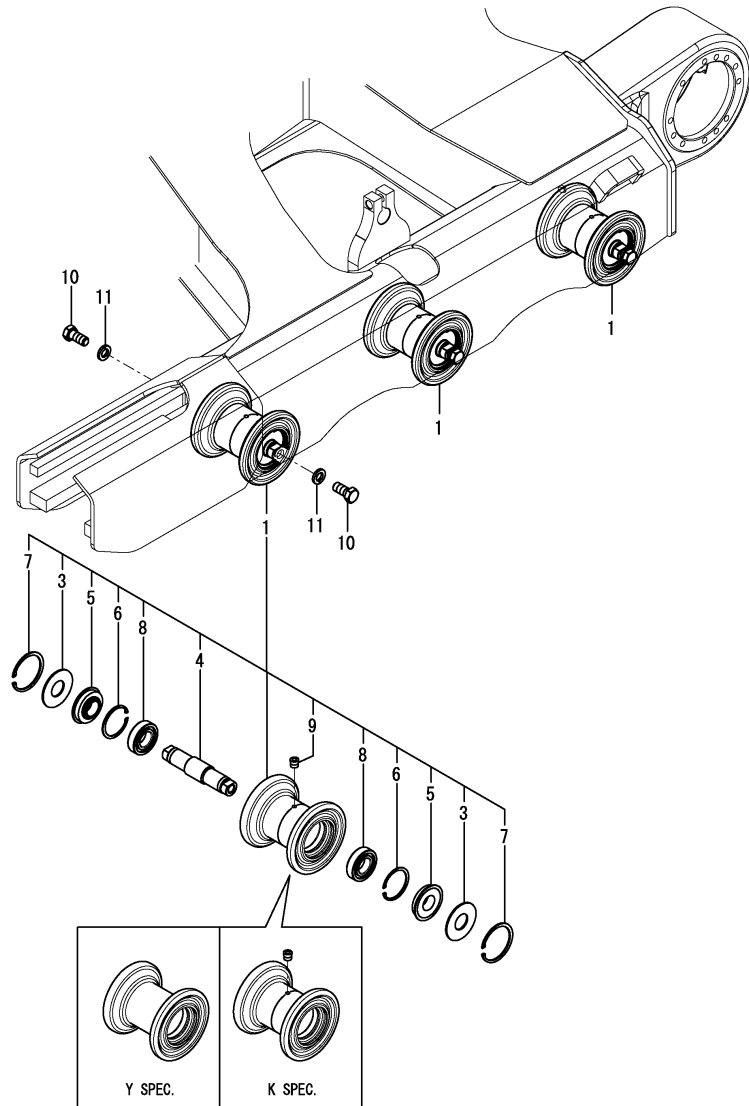
No.	Lev.	Parts No.	Description	Q'ty						I	R
				(A)	(B)	(C)	(D)	(E)	(F)		
1	1	172441-37302 (A=M60502)	ROLLER ASSY,TRACK (B=M60502) (C=M60502) (D=M60502)	6	6	6	6	6	6	Z	1
3	2	172422-37310	SHAFT, ROLLER	6	6	6	6	6	6		
4	2	172141-37320	SPACER	12	12	12	12	12	12		
5	2	1A1030-48250	SEAL,OIL QLF30621218	12	12	12	12	12	12		
6	2	22252-000620	RING, 62	12	12	12	12	12	12		
7	2	22252-000750	RING, 75	12	12	12	12	12	12		
8	2	933111-73800	BEARING, BALL	12	12	12	12	12	12		
9	1	172490-37320	BOLT	12	12	12	12	12	12		
10	1	22217-160000	WASHER, SPRING 16	12	12	12	12	12	12		

Remarks  
 (1)Interchangeable by Fig.41 No.1.  
 The inner parts are not compatible.

Fig.41. TRACK ROLLER(K SPEC.)(FROM M60502)

(A)=VIO25-6A P(US)  
 (B)=VIO25-6A C(US)  
 (C)=VIO25-6A P(AS)

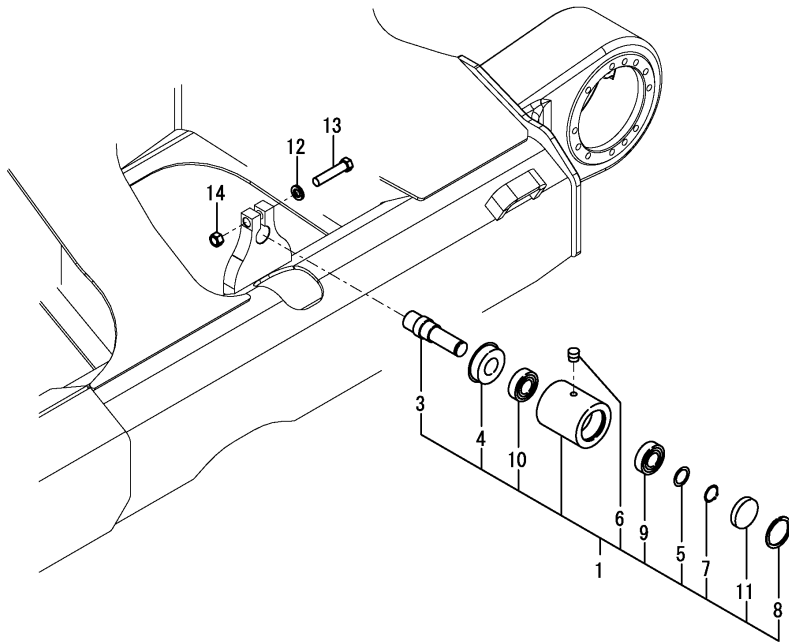
(D)=VIO25-6A C(AS)  
 (E)=VIO25-6A P(NZ)  
 (F)=VIO25-6A C(NZ)



No.	Lev.	Parts No.	Description	Q'ty						I	R
				(A)	(B)	(C)	(D)	(E)	(F)		
1	1	172B03-37300 (A=M60502)	ROLLER ASSY,LOWER (B=M60502) (C=M60502) (D=M60502)	6	6	6	6	6	6		W
3	2	172141-37320	SPACER	12	12	12	12	12	12		
4	2	172B03-37320	SHAFT	6	6	6	6	6	6		
5	2	1A1030-48250	SEAL,OIL QLF30621218	12	12	12	12	12	12		
6	2	22252-000620	RING, 62	12	12	12	12	12	12		
7	2	22252-000750	RING, 75	12	12	12	12	12	12		
8	2	24101-062064	BEARING, BALL 6206	16	16	16	16	16	16		
9	2	933171-13691	PLUG	6	6	6	6	6	6		
10	1	172490-37320	BOLT	12	12	12	12	12	12		
11	1	22217-160000	WASHER, SPRING 16	12	12	12	12	12	12		

Remarks  
 \* Track roller(Y spec.) are shown in Fig.40.  
 The inner parts are not compatible.

Fig.42. CARRIER ROLLER



(A)=VIO25-6A P(US)  
 (B)=VIO25-6A C(US)  
 (C)=VIO25-6A P(AS)

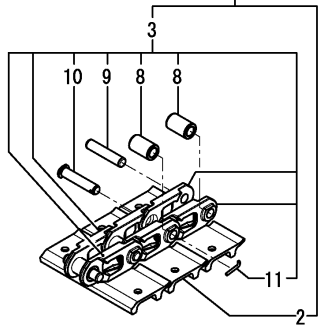
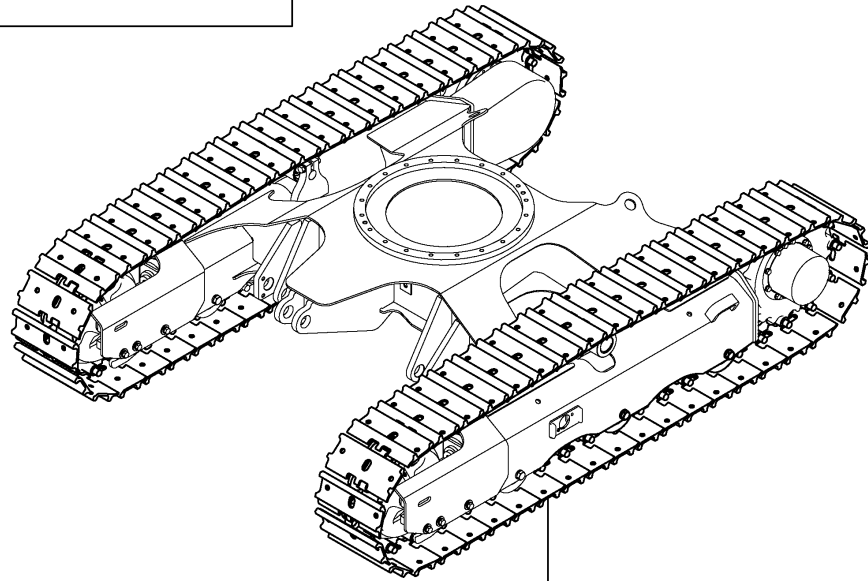
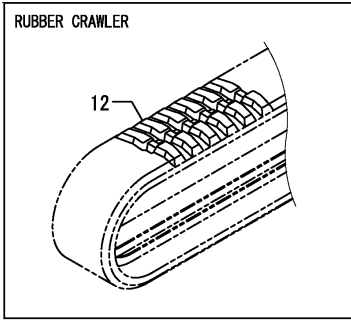
(D)=VIO25-6A C(AS)  
 (E)=VIO25-6A P(NZ)  
 (F)=VIO25-6A C(NZ)

No.	Lev.	Parts No.	Description	Q'ty						I	R
				(A)	(B)	(C)	(D)	(E)	(F)		
1	1	172458-37500-2	ROLLER ASSY, CARRIER	2	2	2	2	2	2		
3	2	172458-37570	SHAFT	2	2	2	2	2	2		
4	2	172458-37580	SEAL, OIL	2	2	2	2	2	2		
5	2	172458-37590	COLLAR	2	2	2	2	2	2		
6	2	194630-42120	PLUG, PT1/8	2	2	2	2	2	2		
7	2	22242-000250	RING, 25	2	2	2	2	2	2		
8	2	22252-000521	RING, 52	2	2	2	2	2	2		
9	2	24101-062054	BEARING, BALL 6205	2	2	2	2	2	2		
10	2	24102-062054	BEARING, BALL 6205U	2	2	2	2	2	2		
11	2	27260-520000	PLUG, 52	2	2	2	2	2	2		
12	1	22217-140000	WASHER, SPRING 14	2	2	2	2	2	2		
13	1	26116-140652	BOLT, M14X 65 PLATED	2	2	2	2	2	2		
14	1	26716-140002	NUT, M14	2	2	2	2	2	2		

Fig.43. CRAWLER

(A)=VIO25-6A P(US)  
 (B)=VIO25-6A C(US)  
 (C)=VIO25-6A P(AS)

(D)=VIO25-6A C(AS)  
 (E)=VIO25-6A P(NZ)  
 (F)=VIO25-6A C(NZ)



No.	Lev.	Parts No.	Description	Q'ty						I	R
				(A)	(B)	(C)	(D)	(E)	(F)		
1	1	172B16-38100	SHOE ASSY, TRUCK 250	2	2	2	2	2	2		
2	2	172B16-38110	PLATE, SHOE 250	84	84	84	84	84	84		
3	2	172B16-38120	LINK ASSY,TRACK	2	2	2	2	2	2		
8	3	172458-38201	BUSH, TRUCK	84	84	84	84	84	84		
9	3	172458-38210	PIN, TRUCK	82	82	82	82	82	82		
10	3	172458-38220	PIN, MASTER	2	2	2	2	2	2		
11	3	172458-38230	PIN, STOP	2	2	2	2	2	2		
12	1	172B16-38600	CRAWLER, RUBBER250	2	2	2	2	2	2		

Fig.44. TRAVEL PEDAL

(A)=VIO25-6A P(US)  
 (B)=VIO25-6A C(US)  
 (C)=VIO25-6A P(AS)

(D)=VIO25-6A C(AS)  
 (E)=VIO25-6A P(NZ)  
 (F)=VIO25-6A C(NZ)

No.	Lev.	Parts No.	Description	Q'ty						I	R
				(A)	(B)	(C)	(D)	(E)	(F)		
1	1	172B16-45600	PEDAL ASSY, TRACK L	1	1	1	1	1	1		
2	2	172068-28490	SPRING	2	2	2	2	2	2		
3	2	172B16-45610	PEDAL ASSY, TRACK FL	1	1	1	1	1	1		
4	2	172B16-45650	PEDAL ASSY, TRACK RL	1	1	1	1	1	1		
5	3	172110-45050	BUSH	1	1	1	1	1	1		
6	2	22137-080000	WASHER, 8	1	1	1	1	1	1		
7	2	26347-080002	NUT, M8	1	1	1	1	1	1		
8	1	172B16-45700	PEDAL ASSY, TRACK R	1	1	1	1	1	1		
9	2	172068-28490	SPRING	2	2	2	2	2	2		
10	2	172B16-45710	PEDAL ASSY, TRACK FR	1	1	1	1	1	1		
11	2	172B16-45730	PEDAL ASSY, TRACK RR	1	1	1	1	1	1		
12	3	172110-45050	BUSH	1	1	1	1	1	1		
13	2	22137-080000	WASHER, 8	1	1	1	1	1	1		
14	2	26347-080002	NUT, M8	1	1	1	1	1	1		
15	1	26013-060302	BOLT, M6X 30	4	4	4	4	4	4		

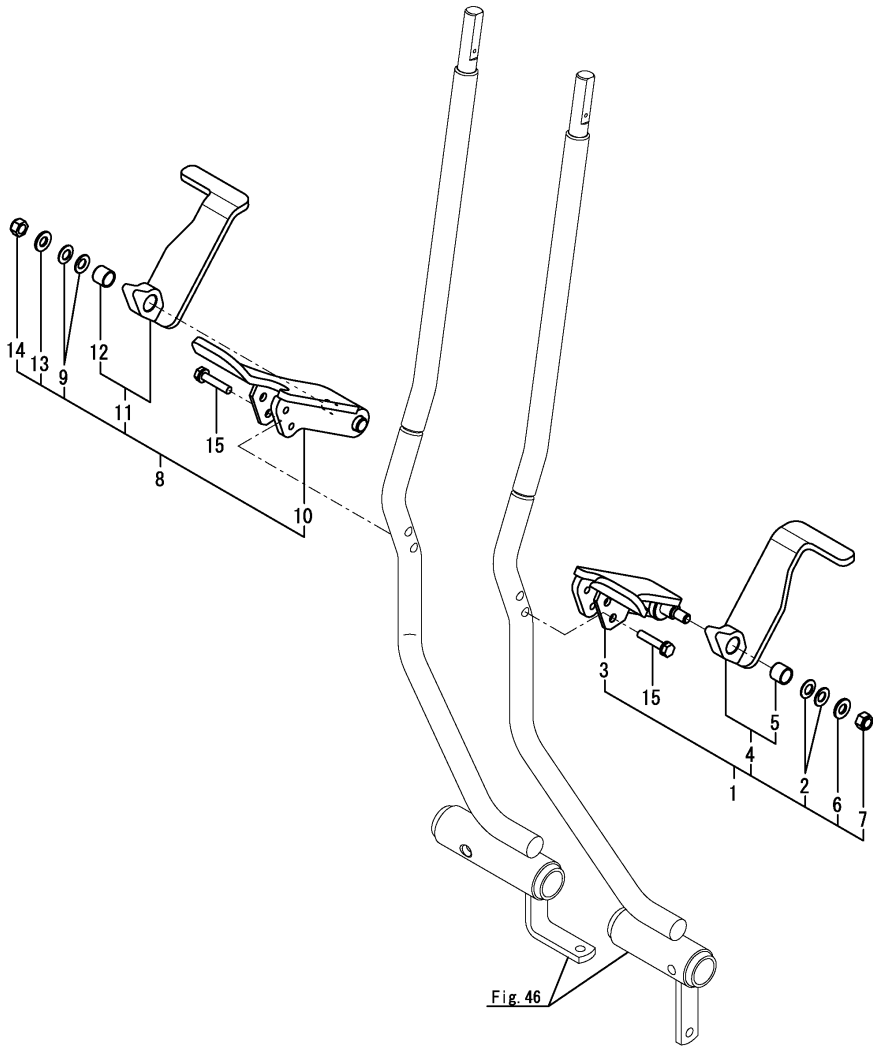


Fig. 46



Fig.45. CONTROL VALVE PLATE

(A)=VIO25-6A P(US)  
 (B)=VIO25-6A C(US)  
 (C)=VIO25-6A P(AS)

(D)=VIO25-6A C(AS)  
 (E)=VIO25-6A P(NZ)  
 (F)=VIO25-6A C(NZ)

No.	Lev.	Parts No.	Description	Q'ty						I	R
				(A)	(B)	(C)	(D)	(E)	(F)		
1	1	172B16-45801	PLATE ASSY, VALVE	1	1	1	1	1	1		
2	1	26013-100452	BOLT, M10X 45	6	6	6	6	6	6		

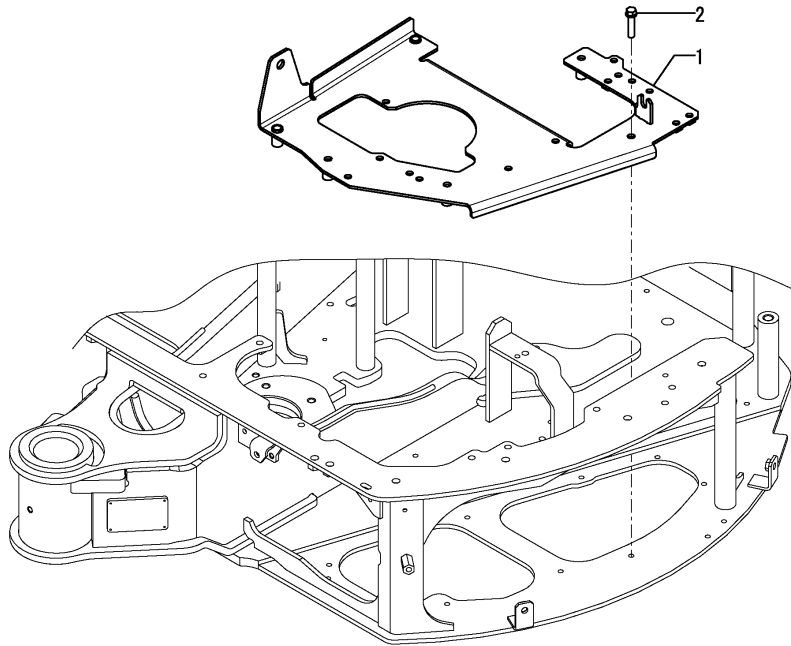
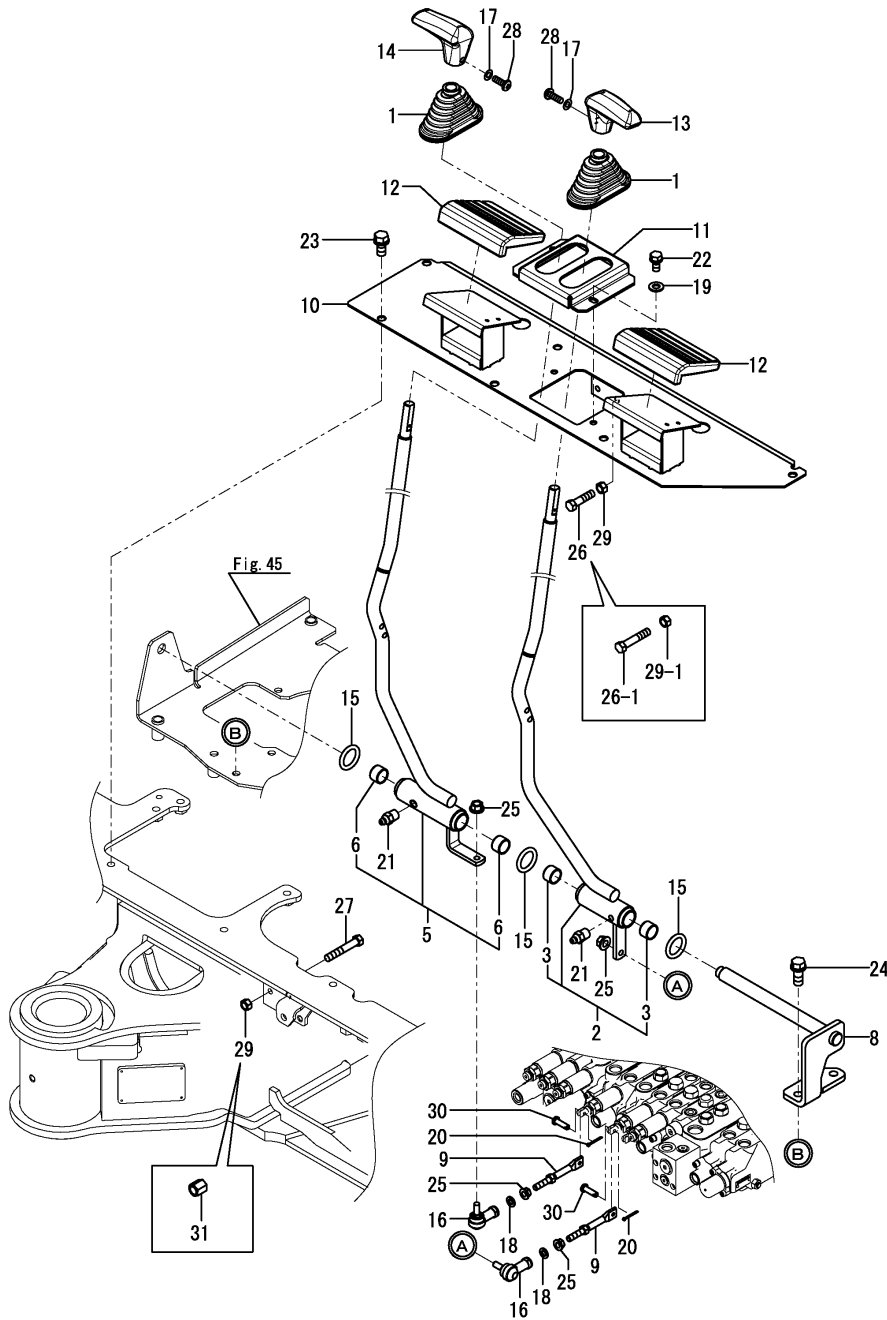


Fig.46. TRAVEL LEVER

(A)=VIO25-6A P(US)  
 (B)=VIO25-6A C(US)  
 (C)=VIO25-6A P(AS)

(D)=VIO25-6A C(AS)  
 (E)=VIO25-6A P(NZ)  
 (F)=VIO25-6A C(NZ)



No.	Lev.	Parts No.	Description	Q'ty						I	R
				(A)	(B)	(C)	(D)	(E)	(F)		
1	1	172141-41340	BOOT	2	2	2	2	2	2		
2	1	172B16-45100	LEVER ASSY, TRAVEL L	1	1	1	1	1	1		
3	2	172141-41370	BUSH	2	2	2	2	2	2		
5	1	172B16-45150	LEVER ASSY, TRAVEL R	1	1	1	1	1	1		
6	2	172141-41370	BUSH	2	2	2	2	2	2		
8	1	172B16-45180	BRACKET ASSY, TRACK	1	1	1	1	1	1		
9	1	172458-45250	ROD ASSY	2	2	2	2	2	2		
10	1	172B16-45400	MOUNT ASSY, LINK	1	1	1	1	1	1		
11	1	172458-45510-1	BRACKET, BOOT	1	1	1	1	1	1		
12	1	172187-45760	PAD	2	2	2	2	2	2		
13	1	172187-45870	GRIP, DRIVE	1	1	1	1	1	1		
14	1	172187-45880	GRIP, DRIVE	1	1	1	1	1	1		
15	1	172124-46200	O-RING	3	3	3	3	3	3		
16	1	172122-46590	ELBOW	2	2	2	2	2	2		
17	1	22117-040000	WASHER, 4	2	2	2	2	2	2		
18	1	22117-080000	WASHER, 8	2	2	2	2	2	2		
19	1	22137-080000	WASHER, 8	2	2	2	2	2	2		
20	1	22417-160160	PIN, COTTER 1.6X16	2	2	2	2	2	2		
21	1	24761-020000	NIPPLE, GREASE PT1/8	2	2	2	2	2	2		
22	1	26013-080162	BOLT, M8X 16	2	2	2	2	2	2		
23	1	26013-100202	BOLT, M10X 20	6	6	6	6	6	6		
24	1	26013-100252	BOLT, M10X 25	2	2	2	2	2	2		
25	1	26051-080002	NUT, M8	4	4	4	4	4	4		
26	1	26116-100404	BOLT, M10X 40 PLATED	2	2	2	2	2	2		
26-1	1	26116-100454	BOLT, M10X 45 PLATED	2	2	2	2	2	2		N
		(A=M60501) (B=M60501) (C=M60501) (D=M60501) (E=M60501) (F=M60501)									
27	1	26116-100604	BOLT, M10X 60 PLATED	2	2	2	2	2	2		
28	1	26587-040122	SCREW, M4X12	2	2	2	2	2	2		
29	1	26716-100002	NUT, M10	4	4	4	4	4	4		
29-1	1	26716-100002	NUT, M10	2	2	2	2	2	2		K
		(A=M60501) (B=M60501) (C=M60501) (D=M60501) (E=M60501) (F=M60501)									
30	1	933110-54100	PIN	2	2	2	2	2	2		
31	1	172738-47860	NUT, M10	2	2	2	2	2	2		W
		(A=M60501) (B=M60501) (C=M60501) (D=M60501) (E=M60501) (F=M60501)									

Fig.47. LEVER SPACER

(A)=VIO25-6A P(US)  
 (B)=VIO25-6A C(US)  
 (C)=VIO25-6A P(AS)

(D)=VIO25-6A C(AS)  
 (E)=VIO25-6A P(NZ)  
 (F)=VIO25-6A C(NZ)

No.	Lev.	Parts No.	Description	Q'ty						I	R
				(A)	(B)	(C)	(D)	(E)	(F)		
1	1	172B03-46010	SPACER ASSY, L	1	1	1	1	1	1		
2	1	172B03-46060	SPACER ASSY, R	1	1	1	1	1	1		
3	1	26014-060202	BOLT, M6X 20	2	2	2	2	2	2		
4	1	26014-060202	BOLT, M6X 20	2	2	2	2	2	2		

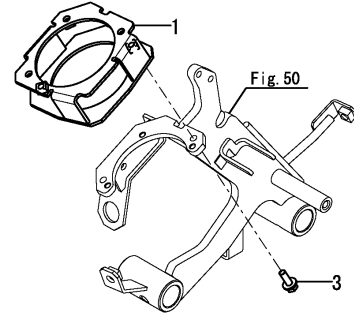
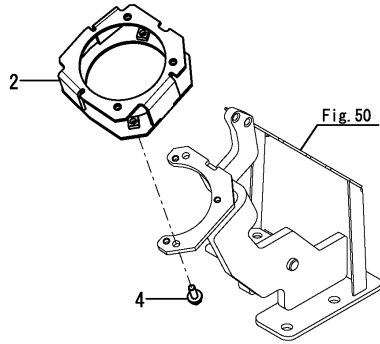
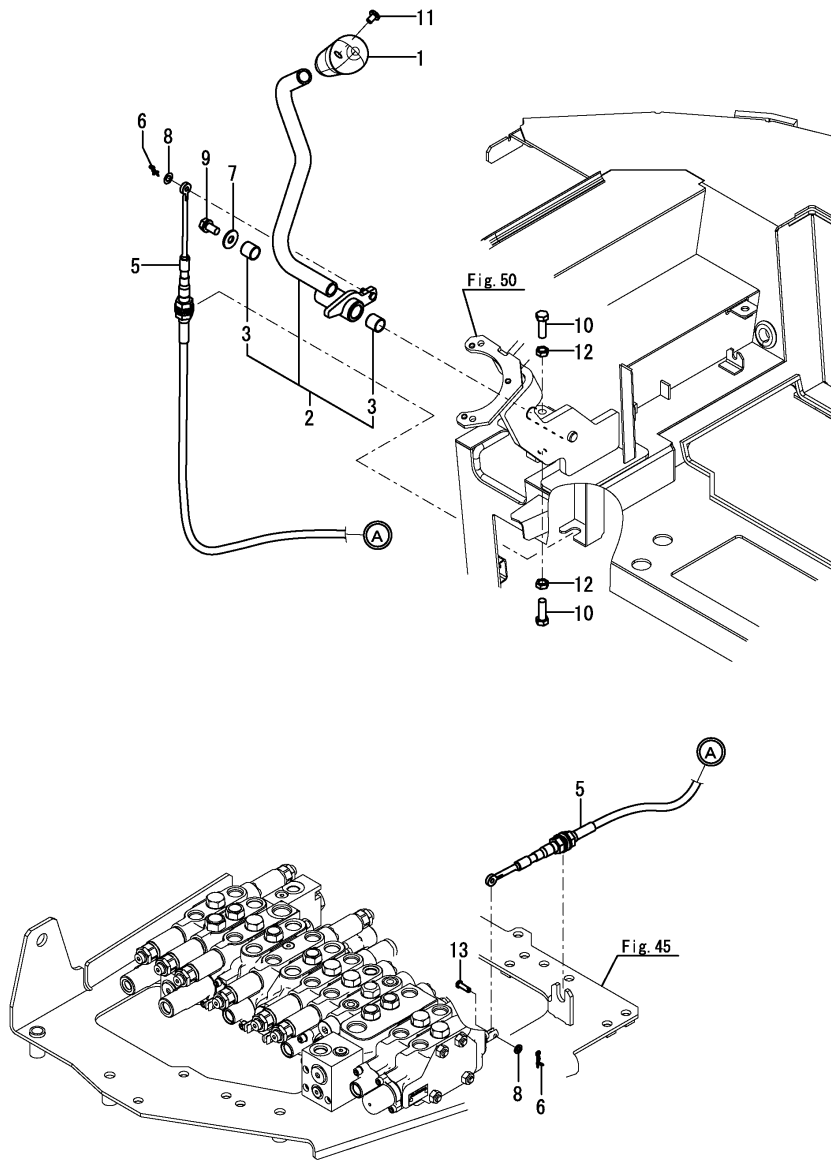


Fig.48. BLADE LEVER

(A)=VIO25-6A P(US)  
 (B)=VIO25-6A C(US)  
 (C)=VIO25-6A P(AS)

(D)=VIO25-6A C(AS)  
 (E)=VIO25-6A P(NZ)  
 (F)=VIO25-6A C(NZ)



No.	Lev.	Parts No.	Description	Q'ty						I	R
				(A)	(B)	(C)	(D)	(E)	(F)		
1	1	172B03-17500	KNOB ASSY, BLADE SW	1	1	1	1	1	1		
2	1	172B16-45450	LEVER ASSY, BLADE EX	1	1	1	1	1	1		
3	2	172141-41360	BUSH	2	2	2	2	2	2		
5	1	172B16-45690	CABLE, BLADE	1	1	1	1	1	1		
6	1	1C6281-52310	PIN, SNAP 6	2	2	2	2	2	2		
7	1	1A1380-62160	WASHER, BELT COVER	1	1	1	1	1	1		
8	1	22137-050000	WASHER, 5	2	2	2	2	2	2		
9	1	26013-080162	BOLT, M8X 16	1	1	1	1	1	1		
10	1	26116-080254	BOLT, M8X 25 PLATED	2	2	2	2	2	2		
11	1	26587-040062	SCREW, M4X 6	1	1	1	1	1	1		
12	1	26756-080002	NUT, LOCK M8	2	2	2	2	2	2		
13	1	933110-54100	PIN	1	1	1	1	1	1		

Fig.49. ARMREST

(A)=VIO25-6A P(US)  
 (B)=VIO25-6A C(US)  
 (C)=VIO25-6A P(AS)

(D)=VIO25-6A C(AS)  
 (E)=VIO25-6A P(NZ)  
 (F)=VIO25-6A C(NZ)

No.	Lev.	Parts No.	Description	Q'ty						I	R
				(A)	(B)	(C)	(D)	(E)	(F)		
1	1	172441-44320	ARMREST	2	2	2	2	2	2		
2	1	172A46-46500	GUIDE ASSY	1	1	1	1	1	1		
3	1	172A46-46530	PLATE, GUIDE	1	1	1	1	1	1		
4	1	172519-63240	BOLT	4	4	4	4	4	4		
5	1	172519-63240	BOLT	4	4	4	4	4	4		

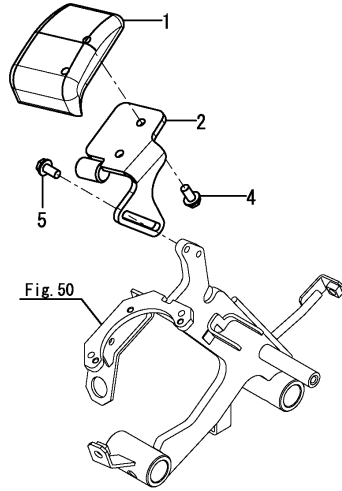
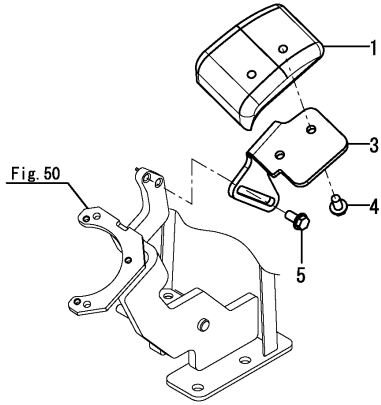
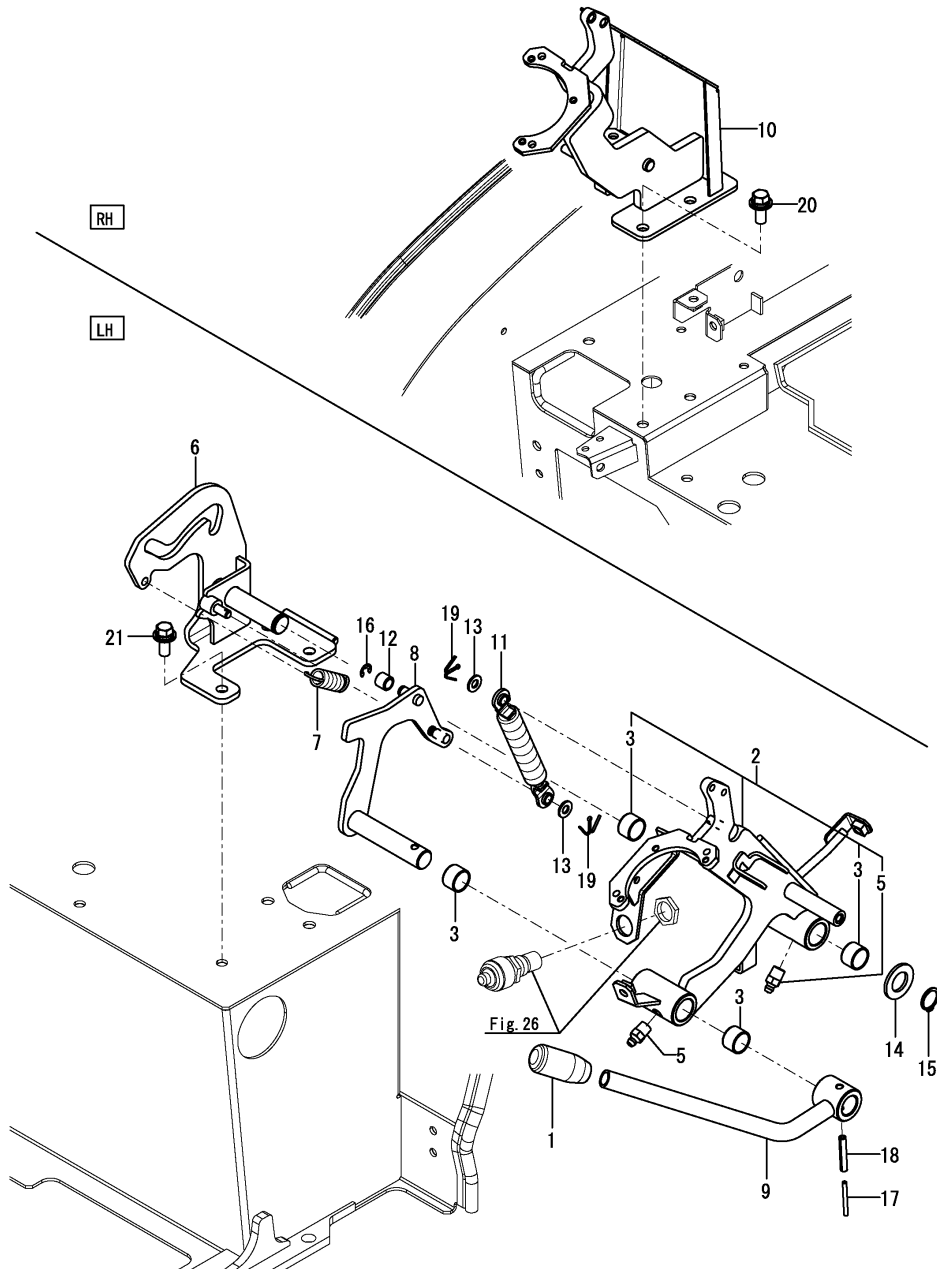


Fig.50. LOCK LEVER & STAND

(A)=VIO25-6A P(US)  
 (B)=VIO25-6A C(US)  
 (C)=VIO25-6A P(AS)

(D)=VIO25-6A C(AS)  
 (E)=VIO25-6A P(NZ)  
 (F)=VIO25-6A C(NZ)

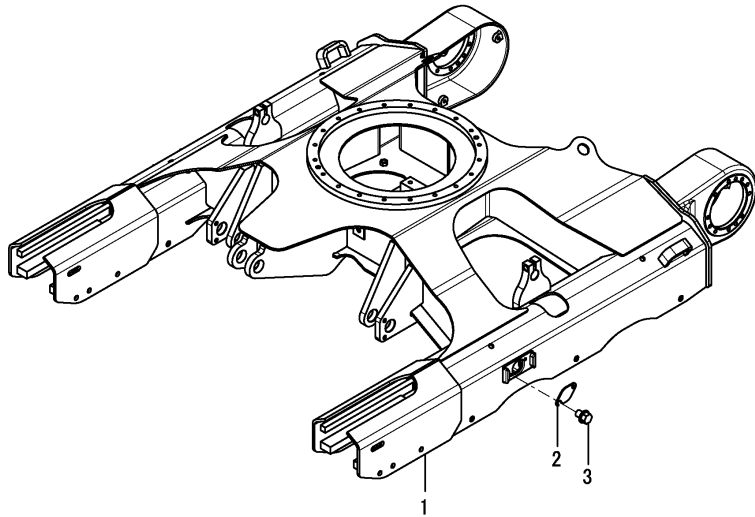


No.	Lev.	Parts No.	Description	Q'ty						I	R
				(A)	(B)	(C)	(D)	(E)	(F)		
1	1	172A77-46050	GRIP	1	1	1	1	1	1		
2	1	172B04-46100	STAND ASSY, LEVER L	1	1	1	1	1	1		
3	2	172141-41370	BUSH	4	4	4	4	4	4		
5	2	24761-020000	NIPPLE, GREASE PT1/8	2	2	2	2	2	2		
6	1	172B16-46200	BASE ASSY, LEVER L	1	1	1	1	1	1		
7	1	172A69-46270	SPRING	1	1	1	1	1	1		
8	1	172B16-46310	ROD ASSY, GUIDE	1	1	1	1	1	1		
9	1	172B16-46350	LEVER ASSY, LOCK L	1	1	1	1	1	1		
10	1	172B16-46400	STAND ASSY, LEVER R	1	1	1	1	1	1		
11	1	172455-46890	SPRING, GAS	1	1	1	1	1	1		
12	1	172165-47550	BUSH	1	1	1	1	1	1		
13	1	22137-080000	WASHER, 8	2	2	2	2	2	2		
14	1	22137-200000	WASHER, 20	1	1	1	1	1	1		
15	1	22242-000200	RING, 20	1	1	1	1	1	1		
16	1	22272-000070	RING, E- 7	1	1	1	1	1	1		
17	1	22351-035040	PIN, SPRING 3.5X40	1	1	1	1	1	1		
18	1	22351-060040	PIN, SPRING 6.0X40	1	1	1	1	1	1		
19	1	22417-200200	PIN, COTTER 2.0X20	2	2	2	2	2	2		
20	1	26014-100252	BOLT, M10X 25	3	3	3	3	3	3		
21	1	26014-100252	BOLT, M10X 25	3	3	3	3	3	3		

Fig.51. TRAVEL FRAME

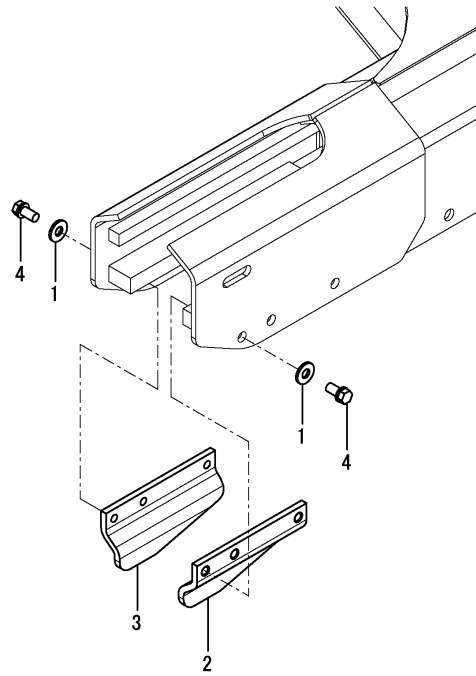
(A)=VIO25-6A P(US)  
 (B)=VIO25-6A C(US)  
 (C)=VIO25-6A P(AS)

(D)=VIO25-6A C(AS)  
 (E)=VIO25-6A P(NZ)  
 (F)=VIO25-6A C(NZ)



No.	Lev.	Parts No.	Description	Q'ty						I	R
				(A)	(B)	(C)	(D)	(E)	(F)		
1	1	172B16-50100	FRAME ASSY, LOWER	1	1	1	1	1	1		
2	1	172458-50480-2	COVER, FRAME	2	2	2	2	2	2		
3	1	26106-100122	BOLT, M10X 12 PLATED	4	4	4	4	4	4		

Fig.52. CRAWLER GUARD



(A)=VIO25-6A P(US)  
 (B)=VIO25-6A C(US)  
 (C)=VIO25-6A P(AS)

(D)=VIO25-6A C(AS)  
 (E)=VIO25-6A P(NZ)  
 (F)=VIO25-6A C(NZ)

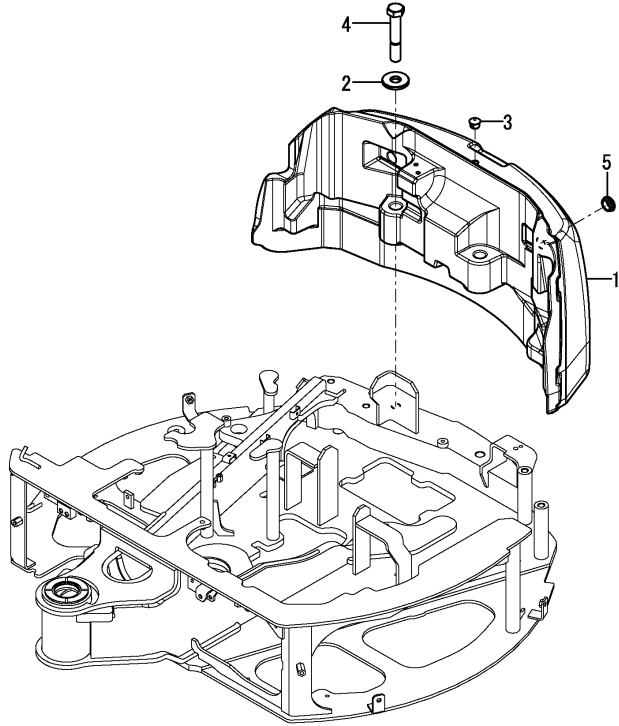
No.	Lev.	Parts No.	Description	Q'ty						I	R
				(A)	(B)	(C)	(D)	(E)	(F)		
1	1	172730-05250	WASHER	12	12	12	12	12	12		
2	1	172458-50800-2	PLATE, GUARD	2	2	2	2	2	2		
3	1	172458-50810-2	PLATE, GUARD	2	2	2	2	2	2		
4	1	26013-120252	BOLT, M12X 25	12	12	12	12	12	12		



Fig.53. COUNTER WEIGHT

(A)=VIO25-6A P(US)  
 (B)=VIO25-6A C(US)  
 (C)=VIO25-6A P(AS)

(D)=VIO25-6A C(AS)  
 (E)=VIO25-6A P(NZ)  
 (F)=VIO25-6A C(NZ)

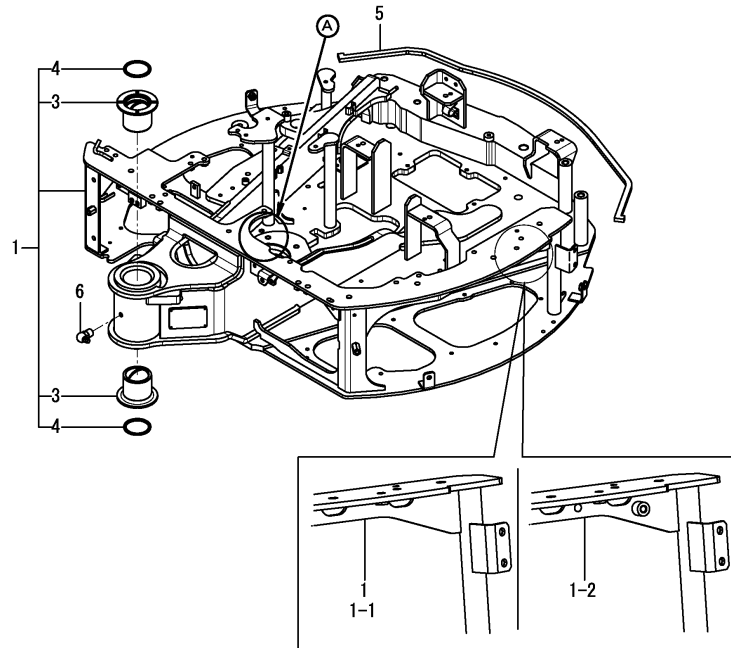
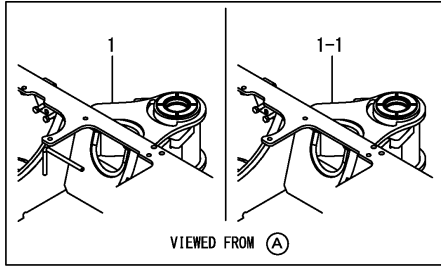


No.	Lev.	Parts No.	Description	Q'ty						I	R
				(A)	(B)	(C)	(D)	(E)	(F)		
1	1	172B16-53310	WEIGHT, COUNTER 305	1	1	1	1	1	1		
2	1	172187-53321	WASHER	2	2	2	2	2	2		
3	1	172538-53320	CLIP, ANCHOR	1	1	1	1	1	1		
4	1	172455-53331	BOLT	2	2	2	2	2	2		
5	1	172456-53700	GROMMET	2	2	2	2	2	2		

Fig.54. TURNING FRAME

(A)=VIO25-6A P(US)  
 (B)=VIO25-6A C(US)  
 (C)=VIO25-6A P(AS)

(D)=VIO25-6A C(AS)  
 (E)=VIO25-6A P(NZ)  
 (F)=VIO25-6A C(NZ)



No.	Lev.	Parts No.	Description	Q'ty						I	R
				(A)	(B)	(C)	(D)	(E)	(F)		
1	1	172B16-54101	FRAME ASSY, TURNING	1	1	1	1	1	1		
1-1	1	172B16-54102	FRAME ASSY, TURNING	1	1	1	1	1	1	S	
		(A=M60502)	(B=M60502)	(C=M60502)	(D=M60502)	(E=M60502)	(F=M60502)				
1-2	1	172B16-54103	FRAME ASSY, TURNING	1	1	1	1	1	1	F	1
		(A=M60680)	(B=M60680)	(C=M60680)	(D=M60680)	(E=M60680)	(F=M60680)				
3	2	172168-54750	BUSH 60X70	2	2	2	2	2	2		
4	2	172168-54760	SEAL, DUST	2	2	2	2	2	2		
5	1	172B16-54530	SEAL, 1245	1	1	1	1	1	1		
6	1	24761-050000	NIPPLE, GREASE C	1	1	1	1	1	1		

Remarks

(1)Interchangeable by simultaneous replacement with Fig.23 No.7, 8.

N:Old  $\xrightarrow{\text{Yes}}$  New, Q:Old  $\xrightarrow{\text{No}}$  New, R:Old  $\xrightarrow{\text{Yes}}$  New, S:Old  $\xrightarrow{\text{No}}$  New, W:Add, Z:Discontinued, F:Interchangeable by set, K:Q'ty Change

Fig.55. TURNING BEARING

(A)=VIO25-6A P(US)  
 (B)=VIO25-6A C(US)  
 (C)=VIO25-6A P(AS)

(D)=VIO25-6A C(AS)  
 (E)=VIO25-6A P(NZ)  
 (F)=VIO25-6A C(NZ)

No.	Lev.	Parts No.	Description	Q'ty						I	R
				(A)	(B)	(C)	(D)	(E)	(F)		
1	1	194940-24350	PIN, PARALLEL 10X28	4	4	4	4	4	4		
2	1	172482-57620	BEARING, SWING	1	1	1	1	1	1		
3	1	172141-57650	BOLT M12X 55 PLATED	20	20	20	20	20	20		
4	1	172B16-57650	BOLT, 10.9 12X60	18	18	18	18	18	18		

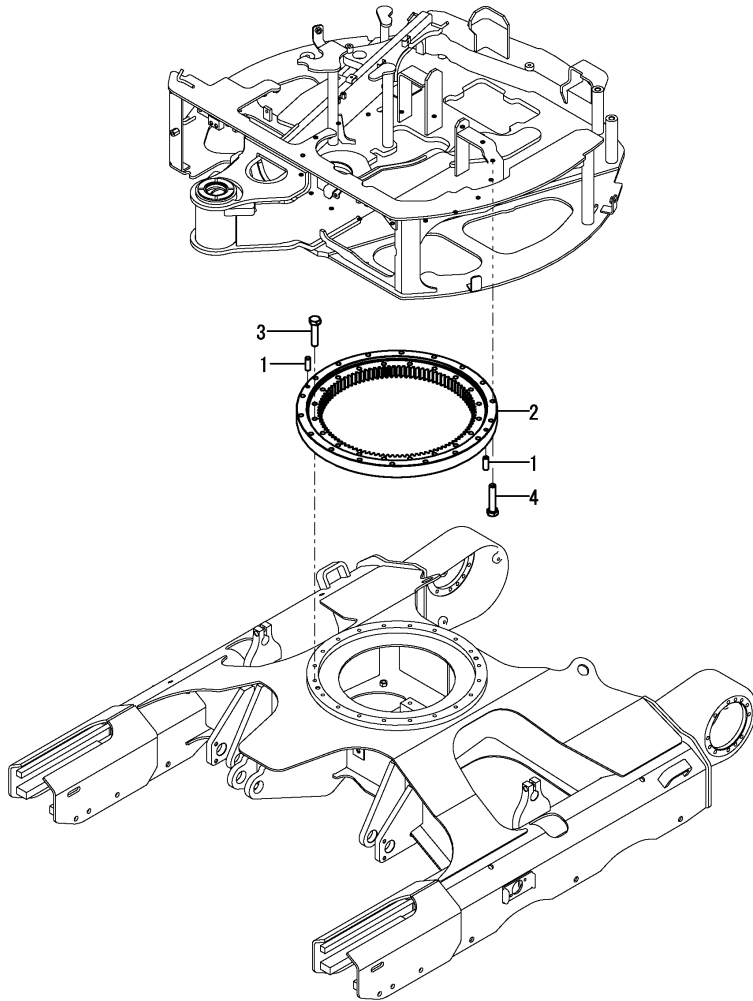
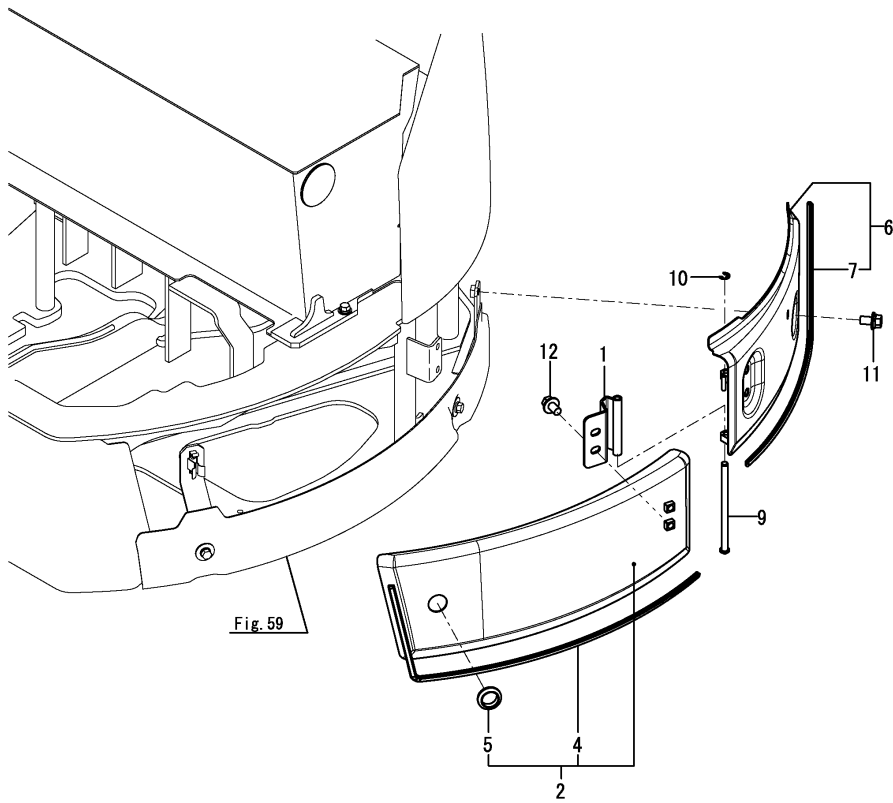


Fig.56. COVER(MULTI)

(A)=VIO25-6A P(US)  
 (B)=VIO25-6A C(US)  
 (C)=VIO25-6A P(AS)

(D)=VIO25-6A C(AS)  
 (E)=VIO25-6A P(NZ)  
 (F)=VIO25-6A C(NZ)

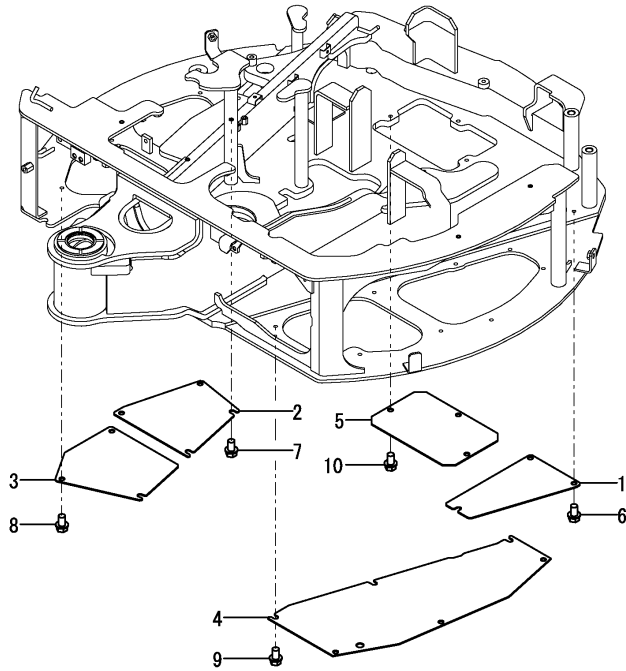


No.	Lev.	Parts No.	Description	Q'ty						I	R
				(A)	(B)	(C)	(D)	(E)	(F)		
1	1	172B03-61540	HINGE ASSY,MULTI	1	1	1	1	1	1		
2	1	172B16-61700	COVER ASSY, MULTI B	1	1	1	1	1	1		
4	2	172B16-61760	SEAL,795	1	1	1	1	1	1		
5	2	172137-66230	GROMMET	1	1	1	1	1	1		
6	1	172B16-61790	COVER ASSY,MULTI A	1	1	1	1	1	1		
7	2	172460-19180	TRIM	1	1	1	1	1	1		
9	1	172448-65490	SHAFT, HINGE	1	1	1	1	1	1		
10	1	22272-000070	RING, E- 7	1	1	1	1	1	1		
11	1	26014-100202	BOLT, M10X 20	3	3	3	3	3	3		
12	1	26014-100202	BOLT, M10X 20	2	2	2	2	2	2		

Fig.57. COVER(TURNING FRAME)

(A)=VIO25-6A P(US)  
 (B)=VIO25-6A C(US)  
 (C)=VIO25-6A P(AS)

(D)=VIO25-6A C(AS)  
 (E)=VIO25-6A P(NZ)  
 (F)=VIO25-6A C(NZ)

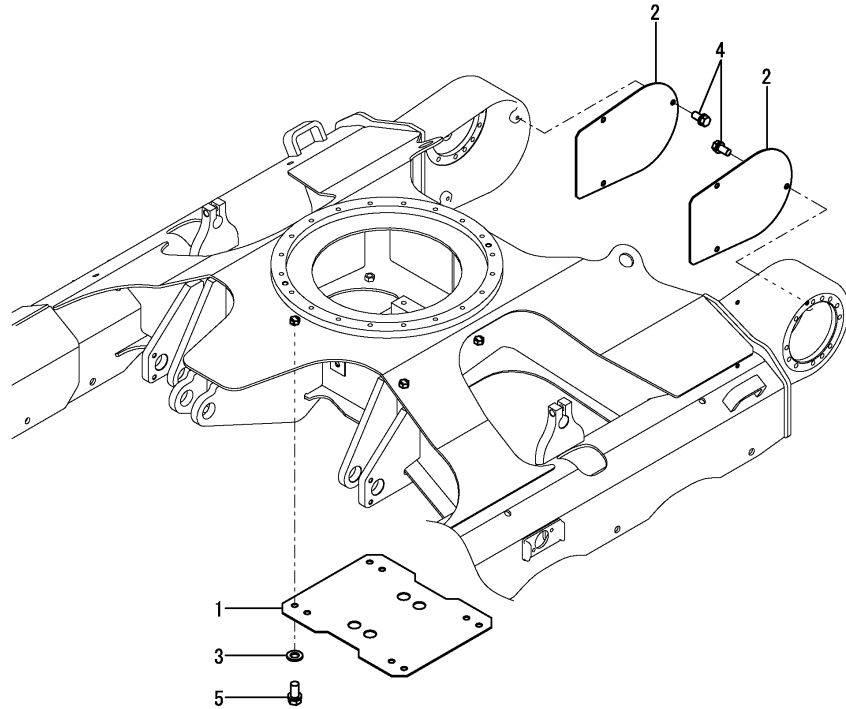


No.	Lev.	Parts No.	Description	Q'ty						I	R
				(A)	(B)	(C)	(D)	(E)	(F)		
1	1	172B16-61010	COVER,PUMP	1	1	1	1	1	1		
2	1	172B16-61020	COVER,RESERVOIR	1	1	1	1	1	1		
3	1	172B16-61030	COVER,FO	1	1	1	1	1	1		
4	1	172B16-61040	COVER,VALVE STAND	1	1	1	1	1	1		
5	1	172456-61100-2	COVER	1	1	1	1	1	1		
6	1	26106-100162	BOLT, M10X 16 PLATED	3	3	3	3	3	3		
7	1	26106-100162	BOLT, M10X 16 PLATED	4	4	4	4	4	4		
8	1	26106-100162	BOLT, M10X 16 PLATED	3	3	3	3	3	3		
9	1	26106-100162	BOLT, M10X 16 PLATED	6	6	6	6	6	6		
10	1	26106-100162	BOLT, M10X 16 PLATED	3	3	3	3	3	3		

Fig.58. COVER(TRAVEL FRAME)

(A)=VIO25-6A P(US)  
 (B)=VIO25-6A C(US)  
 (C)=VIO25-6A P(AS)

(D)=VIO25-6A C(AS)  
 (E)=VIO25-6A P(NZ)  
 (F)=VIO25-6A C(NZ)

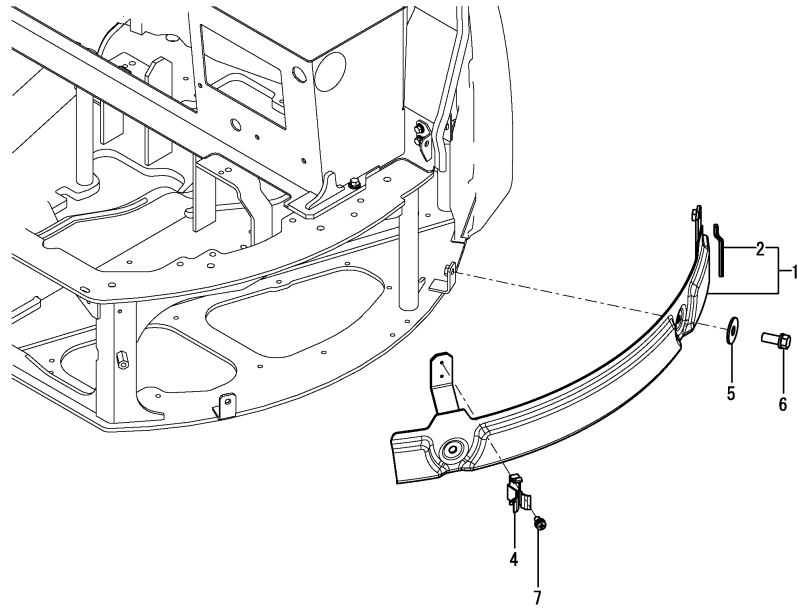


No.	Lev.	Parts No.	Description	Q'ty						I	R
				(A)	(B)	(C)	(D)	(E)	(F)		
1	1	172141-50763-1	COVER	1	1	1	1	1	1		
2	1	172B16-61390	COVER,TRAVEL	2	2	2	2	2	2		
3	1	22137-120000	WASHER, 12	4	4	4	4	4	4		
4	1	26013-100202	BOLT, M10X 20	6	6	6	6	6	6		
5	1	26013-120252	BOLT, M12X 25	4	4	4	4	4	4		

Fig.59. FRAME GUARD(LEFT)

(A)=VIO25-6A P(US)  
 (B)=VIO25-6A C(US)  
 (C)=VIO25-6A P(AS)

(D)=VIO25-6A C(AS)  
 (E)=VIO25-6A P(NZ)  
 (F)=VIO25-6A C(NZ)



No.	Lev.	Parts No.	Description	Q'ty						I	R
				(A)	(B)	(C)	(D)	(E)	(F)		
1	1	172B16-61100	GUARD ASSY, FRAME L	1	1	1	1	1	1		1
2	2	172444-17620	SEAL	1	1	1	1	1	1		
3A	1	172437-03352	LABEL, CYLINDER	1	1	1	1	1	1		2
4	1	198220-61480	HOLDER, ROD	1	1	1	1	1	1		
5	1	22157-100000	WASHER, 10	2	2	2	2	2	2		
6	1	26013-100252	BOLT, M10X 25	2	2	2	2	2	2		
7	1	26023-050102	SCREW, M5X10	2	2	2	2	2	2		

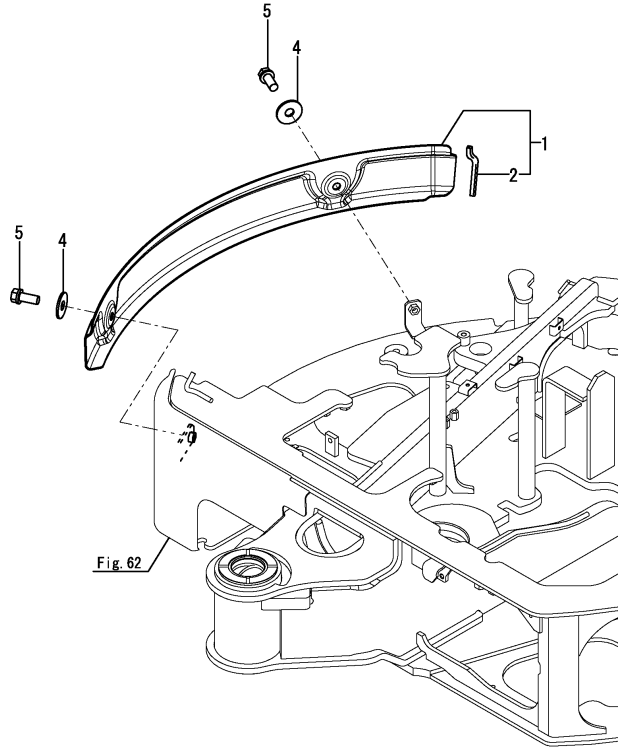
Remarks

- (1)Please use this part with following labels at the same time.  
No.3A.
- (2)Not illustrated.

Fig.60. FRAME GUARD(RIGHT)

(A)=VIO25-6A P(US)  
 (B)=VIO25-6A C(US)  
 (C)=VIO25-6A P(AS)

(D)=VIO25-6A C(AS)  
 (E)=VIO25-6A P(NZ)  
 (F)=VIO25-6A C(NZ)



No.	Lev.	Parts No.	Description	Q'ty						I	R
				(A)	(B)	(C)	(D)	(E)	(F)		
1	1	172B16-61210	GUARD ASSY, FRAME R	1	1	1	1	1	1		1
2	2	172444-17620	SEAL	1	1	1	1	1	1		
3A	1	172437-03352	LABEL, CYLINDER	1	1	1	1	1	1		2
4	1	22157-100000	WASHER, 10	2	2	2	2	2	2		
5	1	26013-100252	BOLT, M10X 25	2	2	2	2	2	2		

Remarks

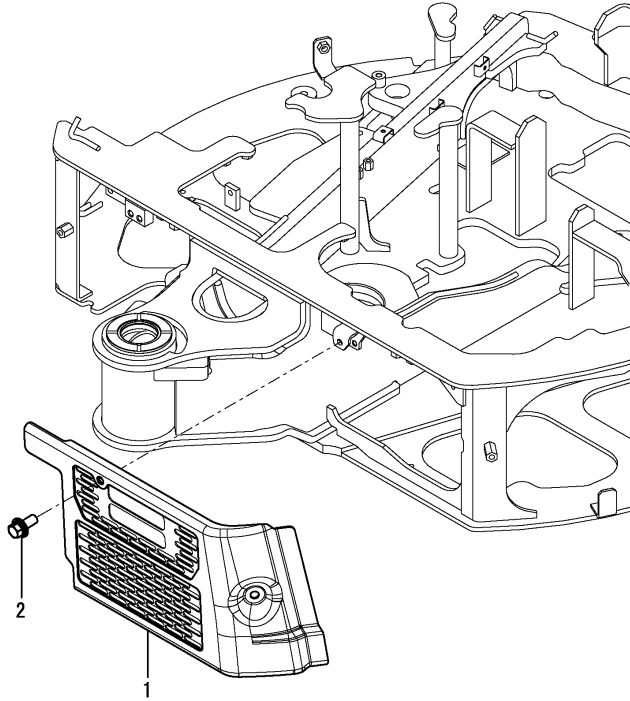
- (1)Please use this part with following labels at the same time.  
No.3A.
- (2)Not illustrated.



Fig.61. COVER(TURNING FRAME)(FRONT - LEFT)

(A)=VIO25-6A P(US)  
 (B)=VIO25-6A C(US)  
 (C)=VIO25-6A P(AS)

(D)=VIO25-6A C(AS)  
 (E)=VIO25-6A P(NZ)  
 (F)=VIO25-6A C(NZ)

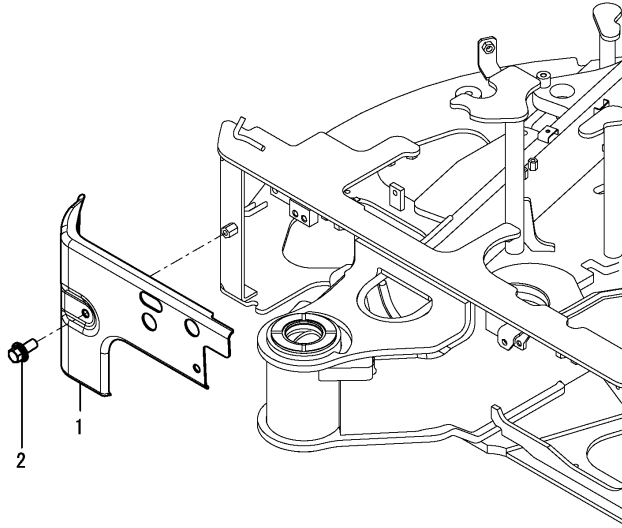


No.	Lev.	Parts No.	Description	Q'ty						I	R
				(A)	(B)	(C)	(D)	(E)	(F)		
1	1	172B16-61310	COVER ASSY,L T/F	1	1	1	1	1	1		
2	1	26014-100252	BOLT, M10X 25	2	2	2	2	2	2		

Fig.62. COVER(TURNING FRAME)(FRONT - RIGHT)

(A)=VIO25-6A P(US)  
 (B)=VIO25-6A C(US)  
 (C)=VIO25-6A P(AS)

(D)=VIO25-6A C(AS)  
 (E)=VIO25-6A P(NZ)  
 (F)=VIO25-6A C(NZ)

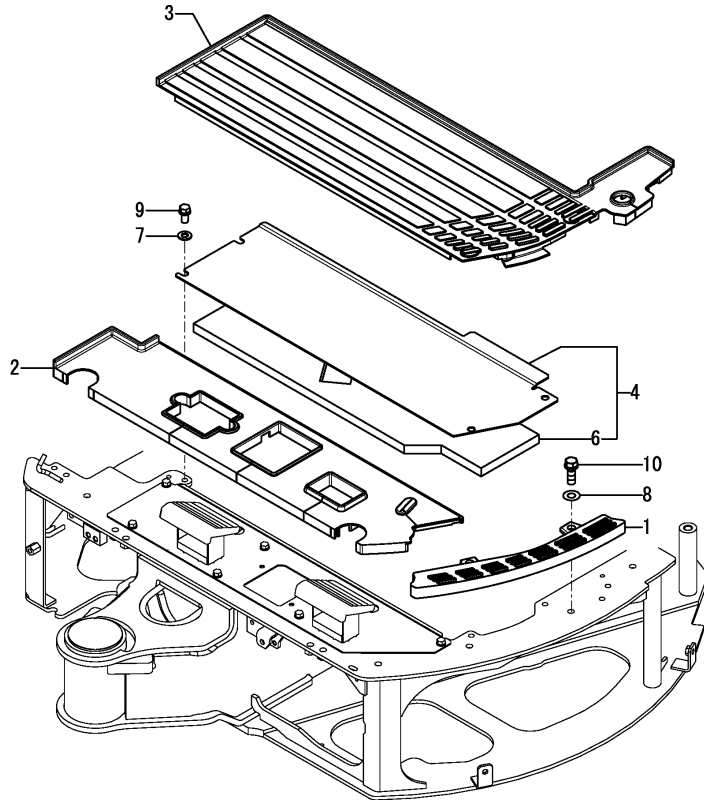


No.	Lev.	Parts No.	Description	Q'ty						I	R
				(A)	(B)	(C)	(D)	(E)	(F)		
1	1	172B16-61350	COVER ASSY,R T/F	1	1	1	1	1	1		
2	1	26014-100252	BOLT, M10X 25	2	2	2	2	2	2		

Fig.63. STEP(CANOPY)

(A)=VIO25-6A P(US)  
 (B)=VIO25-6A C(US)  
 (C)=VIO25-6A P(AS)

(D)=VIO25-6A C(AS)  
 (E)=VIO25-6A P(NZ)  
 (F)=VIO25-6A C(NZ)

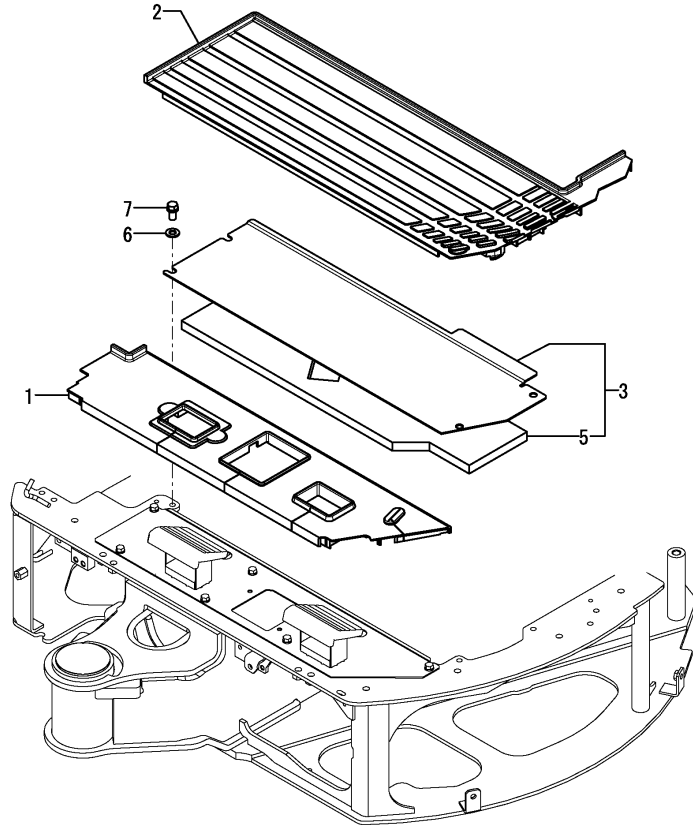


No.	Lev.	Parts No.	Description	Q'ty						I	R
				(A)	(B)	(C)	(D)	(E)	(F)		
1	1	172458-62110-1	STEP	1	1		1				
2	1	172B16-62160	FLOOR MAT, B 4P EX	1		1		1			
3	1	172B16-62200	FLOOR MAT,A P	1		1		1			
3-1	1	172B16-62220 (A=M60734)	FLOOR MAT,A 2P (C=M60734)	1		1		1			N
4	1	172B16-62250	STEP ASSY, B	1		1		1			
6	2	172B16-62270	SPONGE, STEP	1		1		1			
7	1	22137-100000	WASHER, 10	4		4		4			
8	1	22137-120000	WASHER, 12	2		2		2			
9	1	26013-100252	BOLT, M10X 25	4		4		4			
10	1	26013-120302	BOLT, M12X 30	2		2		2			

Fig.64. STEP(CABIN)

(A)=VIO25-6A P(US)  
 (B)=VIO25-6A C(US)  
 (C)=VIO25-6A P(AS)

(D)=VIO25-6A C(AS)  
 (E)=VIO25-6A P(NZ)  
 (F)=VIO25-6A C(NZ)

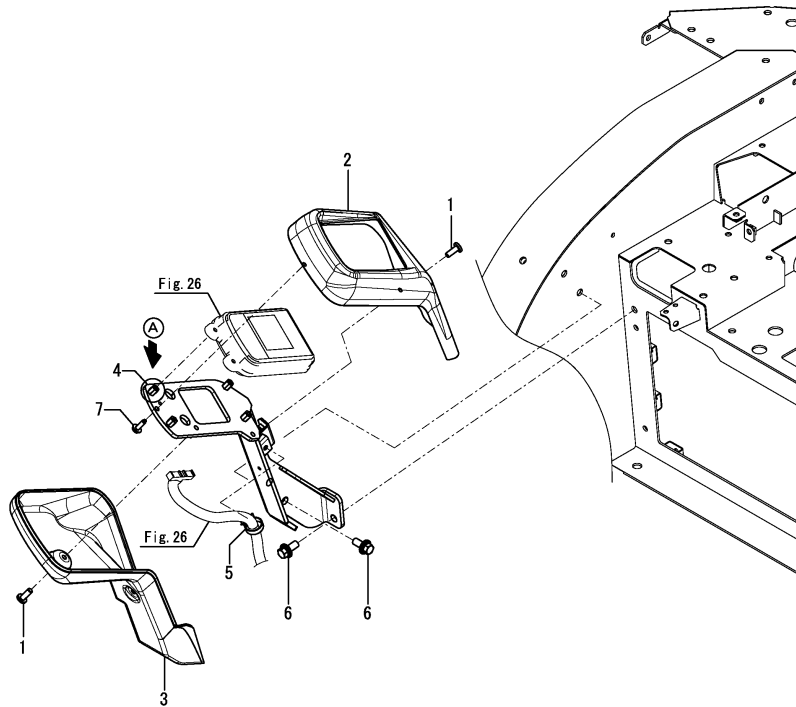


No.	Lev.	Parts No.	Description	Q'ty						I	R	
				(A)	(B)	(C)	(D)	(E)	(F)			
1	1	172B16-62170	FLOOR MAT, B CAB EX		1		1					
2	1	172B16-62210	FLOOR MAT,A CAB		1		1					
3	1	172B16-62250	STEP ASSY, B		1		1					
5	2	172B16-62270	SPONGE, STEP		1		1					
6	1	22137-100000	WASHER, 10		4		4					
7	1	26013-100252	BOLT, M10X 25		4		4					

Fig.65. COVER(MONITOR)(CANOPY)

(A)=VIO25-6A P(US)  
 (B)=VIO25-6A C(US)  
 (C)=VIO25-6A P(AS)

(D)=VIO25-6A C(AS)  
 (E)=VIO25-6A P(NZ)  
 (F)=VIO25-6A C(NZ)



No.	Lev.	Parts No.	Description	Q'ty						I	R
				(A)	(B)	(C)	(D)	(E)	(F)		
1	1	172137-46210	SCREW	3	3		3				
2	1	172B16-63780	COVER,INPANE UP-P	1	1		1				2
2-1	1	172B16-63930	COVER,INPANE UP-P D	1	1		1			S	4
3	1	172B16-63790	COVER,INPANE LOW-P	1	1		1				3
3-1	1	172B16-63940	COVER,INPANE LOW-P D	1	1		1			S	5
4	1	172B16-63800	STAY ASSY,INPANE	1	1		1				1
4-1	1	172B16-63801	STAY ASSY,INPANE	1	1		1			S	1
5	1	1E8490-84130	CLAMP, BAND	1	1		1				1
6	1	26014-100252	BOLT, M10X 25	3	3		3				3
7	1	26476-050142	SCREW, TAPPING M5X14	2	2		2				2

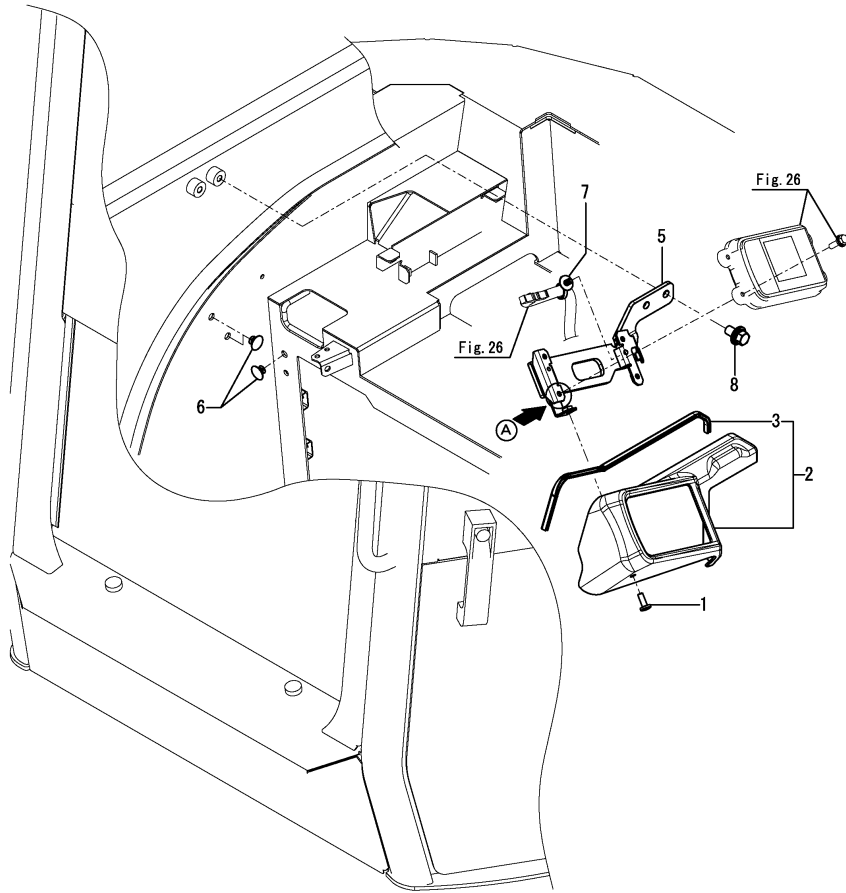
Remarks

- (1)A=No.4 : M6 screw, No.4-1 : M5 screw.
- (2)Color = WORM GRAY.
- (3)Color = DARK OLIVE GRAY.
- (4)Color = PANTONE 425C.
- (5)Color = BLACK.

Fig.66. COVER(MONITOR)(CABIN)

(A)=VIO25-6A P(US)  
 (B)=VIO25-6A C(US)  
 (C)=VIO25-6A P(AS)

(D)=VIO25-6A C(AS)  
 (E)=VIO25-6A P(NZ)  
 (F)=VIO25-6A C(NZ)



No.	Lev.	Parts No.	Description	Q'ty						I	R
				(A)	(B)	(C)	(D)	(E)	(F)		
1	1	172137-46210	SCREW		2		2		2		
2	1	172B16-63680	COVER ASSY,INPANE C		1		1		1		2
2-1	1	172B16-63900	COVER ASSY,INPANE CD		1		1		1		S 3
		(B=MAF001)	(D=MAF001)						(F=MAF001)		
3	2	172458-18860	MOLDING		1		1		1		
5	1	172B16-63700	STAY ASSY,INPANE		1		1		1		
5-1	1	172B16-63701	STAY ASSY,INPANE		1		1		1		S 1
		(B=M60760)	(D=M60760)						(F=M60760)		
6	1	172183-81160	CLIP, TREE		3		3		3		
6-1	1	172183-81160	CLIP, TREE 9.5		1		1		1		K
		(B=MAF296)	(D=MAF296)						(F=MAF296)		
7	1	1E8915-84120	CLAMP, BAND		1		1		1		
8	1	26014-100202	BOLT, M10X 20		2		2		2		

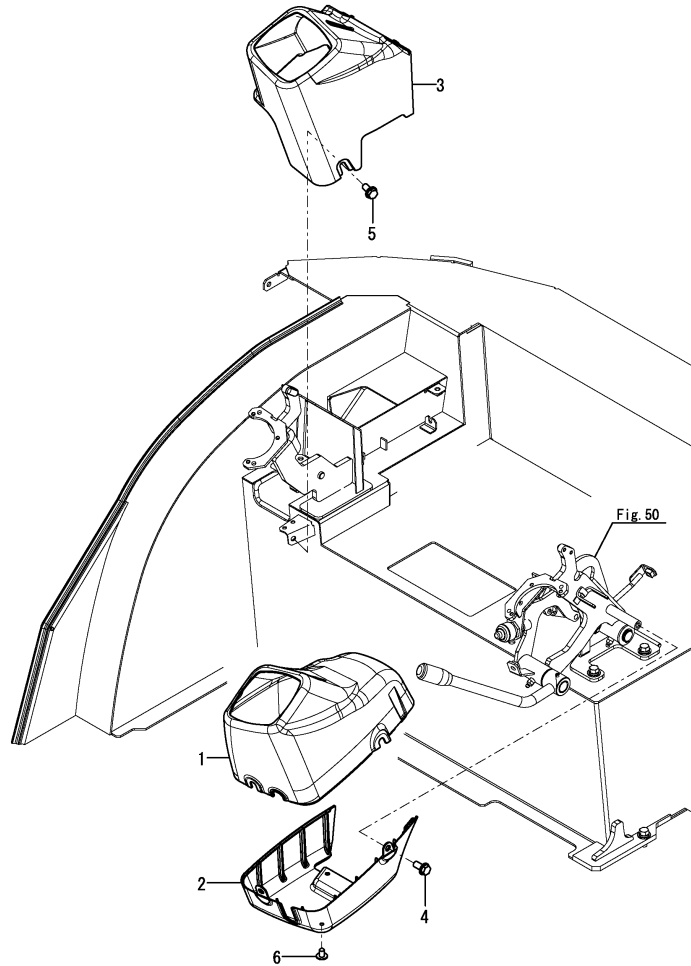
Remarks

- (1)A=No.5 : M6 screw, No.5-1 : M5 screw.
- (2)Color = WORM GRAY.
- (3)Color = PANTONE 425C.

Fig.67. COVER(LEVER)

(A)=VIO25-6A P(US)  
 (B)=VIO25-6A C(US)  
 (C)=VIO25-6A P(AS)

(D)=VIO25-6A C(AS)  
 (E)=VIO25-6A P(NZ)  
 (F)=VIO25-6A C(NZ)



No.	Lev.	Parts No.	Description	Q'ty						I	R
				(A)	(B)	(C)	(D)	(E)	(F)		
1	1	172B03-63110	COVER, LEVER	1	1	1	1	1	1	1	1
1-1	1	172B03-63610	COVER, LEVER L UP D	1	1	1	1	1	1	1	S 4
		(A=MAF001) (B=MAF001) (C=MAF001) (D=MAF001)		(E=MAF001)		(F=MAF001)					
2	1	172B03-63120	COVER, LEVER	1	1	1	1	1	1	1	2
2-1	1	172B03-63620	COVER, LEVER L LOW D	1	1	1	1	1	1	1	S 4
		(A=MAF001) (B=MAF001) (C=MAF001) (D=MAF001)		(E=MAF001)		(F=MAF001)					
3	1	172B16-63140	COVER, LEVER R	1	1	1	1	1	1	1	1
3-1	1	172B16-63640	COVER, LEVER R D	1	1	1	1	1	1	1	S 4
		(A=MAF001) (B=MAF001) (C=MAF001) (D=MAF001)		(E=MAF001)		(F=MAF001)					
4	1	172519-63240	BOLT	3	3	3	3	3	3	3	
5	1	172519-63240	BOLT	2	2	2	2	2	2	2	
6	1	1A8110-84210	RIVET	1	1	1	1	1	1	1	3
6-1	1	1A8060-84280	RIVET, PUSH	1	1	1	1	1	1	1	S 5
		(A=MAF001) (B=MAF001) (C=MAF001) (D=MAF001)		(E=MAF001)		(F=MAF001)					

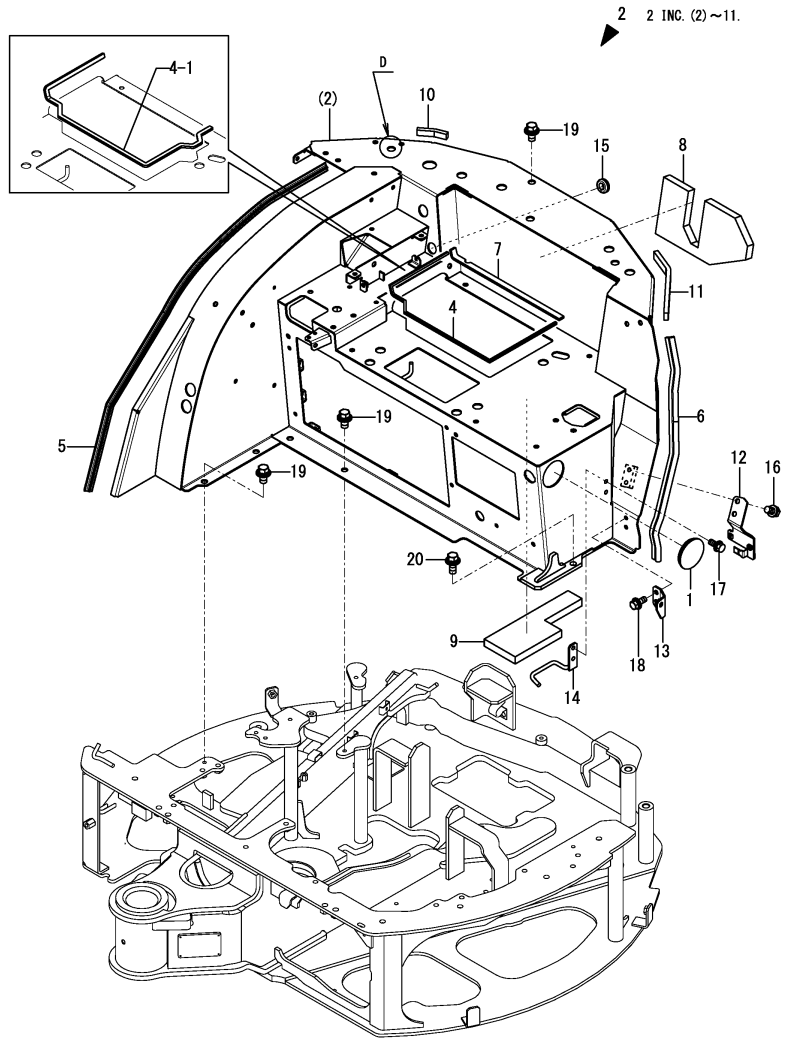
Remarks

- (1)Color = WORM GRAY.
- (2)Color = DARK OLIVE GRAY.
- (3)Color = LIGHT GRAY.
- (4)Color = PANTONE 425C.
- (5)Color = BLACK.

Fig.68. SEAT MOUNT

(A)=VIO25-6A P(US)  
 (B)=VIO25-6A C(US)  
 (C)=VIO25-6A P(AS)

(D)=VIO25-6A C(AS)  
 (E)=VIO25-6A P(NZ)  
 (F)=VIO25-6A C(NZ)



No.	Lev.	Parts No.	Description	Q'ty						I	R
				(A)	(B)	(C)	(D)	(E)	(F)		
1	1	172730-61890	CAP. ENGINE COVER	1	1	1	1	1	1		
2	1	172B16-64201	MOUNT ASSY, SEAT	1	1	1	1	1	1		1
2-1	1	172B16-64202	MOUNT ASSY, SEAT	1	1	1	1	1	1	N	1
2-2	1	172B16-64203	MOUNT ASSY, SEAT	1	1	1	1	1	1	F	3
4	2	172B16-64891	SEAL, SEAT A	1	1	1	1	1	1		
4-1	2	172B16-64892	SEAL, SEAT A	1	1	1	1	1	1		S
5	2	172B16-64900	RUBBER, SEAL 1025	1	1	1	1	1	1		
6	2	172B16-64910	RUBBER, SEAL 545	1	1	1	1	1	1		
7	2	172B16-64930	SEAL, SEAT D	1	1	1	1	1	1		
8	2	172B16-64940	SPONGE, SEAT B	1	1	1	1	1	1		
9	2	172B16-64950	SPONGE, ENG	1	1	1	1	1	1		
10	2	172B16-64960	SEAL, SEAT C	1	1	1	1	1	1		
11	2	172447-65710	SEAL, DUCT	1	1	1	1	1	1		
11A	1	172437-03302	LABEL, MANUAL	1		1		1			2
11B	1	172437-03471	LABEL, LEVER LOCK	1	1	1	1	1	1		2
12	1	172B16-64800	STAY ASSY,FP	1	1	1	1	1	1		
13	1	172B16-64970	STAY ASSY,BON L	1	1	1	1	1	1		
14	1	172B16-78030	GUIDE ASSY, HOSE	1	1	1	1	1	1		
15	1	1A7410-87900	GROMMET, 16	1	1	1	1	1	1		
16	1	26013-100162	BOLT, M10X 16	2	2	2	2	2	2		
17	1	26014-080162	BOLT, M8X 16	2	2	2	2	2	2		
18	1	26014-080202	BOLT, M8X 20	2	2	2	2	2	2		
19	1	26014-100202	BOLT, M10X 20	5	5	5	5	5	5		
20	1	26014-100252	BOLT, M10X 25	1	1	1	1	1	1		

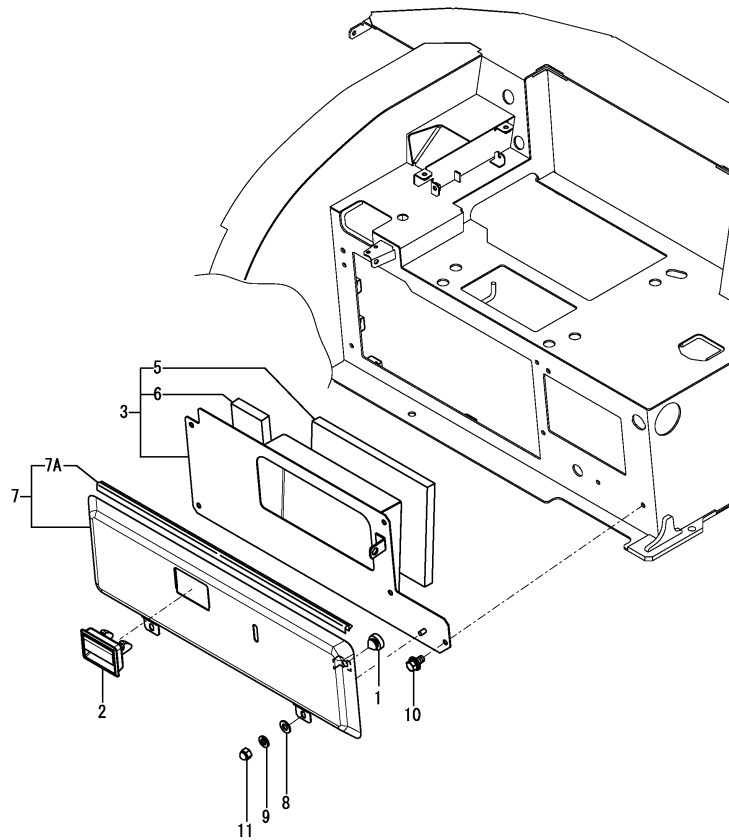
Remarks  
 (1)Please use this part with following labels at the same time.  
 No.11A & 11B. (Canopy specifications.)  
 No.11B. (Cabin specifications.)  
 (2)Not illustrated.  
 (3)D=No.2, 2-1 : 18mm, No.2-2 : 26mm.  
 Interchangeable by simultaneous replacement with Fig.28 No.1-1.



Fig.69. COVER(SEAT MOUNT)

(A)=VIO25-6A P(US)  
 (B)=VIO25-6A C(US)  
 (C)=VIO25-6A P(AS)

(D)=VIO25-6A C(AS)  
 (E)=VIO25-6A P(NZ)  
 (F)=VIO25-6A C(NZ)



No.	Lev.	Parts No.	Description	Q'ty						I	R
				(A)	(B)	(C)	(D)	(E)	(F)		
1	1	1N1730-61190	RUBBER,CONTACT	1	1	1	1	1	1		
2	1	172187-61421	HANDLE, LOCK	1	1	1	1	1	1		3
2-1	1	172B02-69040	HANDLE,LOCK BLACK	1	1	1	1	1	1		S 4
		(A=MAF001)	(B=MAF001)	(C=MAF001)	(D=MAF001)	(E=MAF001)	(F=MAF001)				
3	1	172B16-64080	COVER ASSY, MANUAL A	1	1	1	1	1	1		
5	2	172B16-64180	SPONGE, COVER B	1	1	1	1	1	1		
6	2	172B16-64190	SPONGE, COVER A	1	1	1	1	1	1		
7	1	172B16-64160	COVER ASSY, MANUAL B	1	1	1	1	1	1		1
7A	2	172538-19730	RUBBER SEAL 655	1	1	1	1	1	1		
7C	1	172472-03141	LABEL, SUPPORT	1	1	1	1	1	1		2
7D	1	172437-03601	LABEL, 2-WAY US	1	1	1	1	1	1		2
8	1	22137-080000	WASHER, 8	2	2	2	2	2	2		
9	1	22217-080000	WASHER, SPRING 8	2	2	2	2	2	2		
10	1	26014-080162	BOLT, M8X 16	5	5	5	5	5	5		
11	1	26657-080002	NUT, CAP M8	2	2	2	2	2	2		

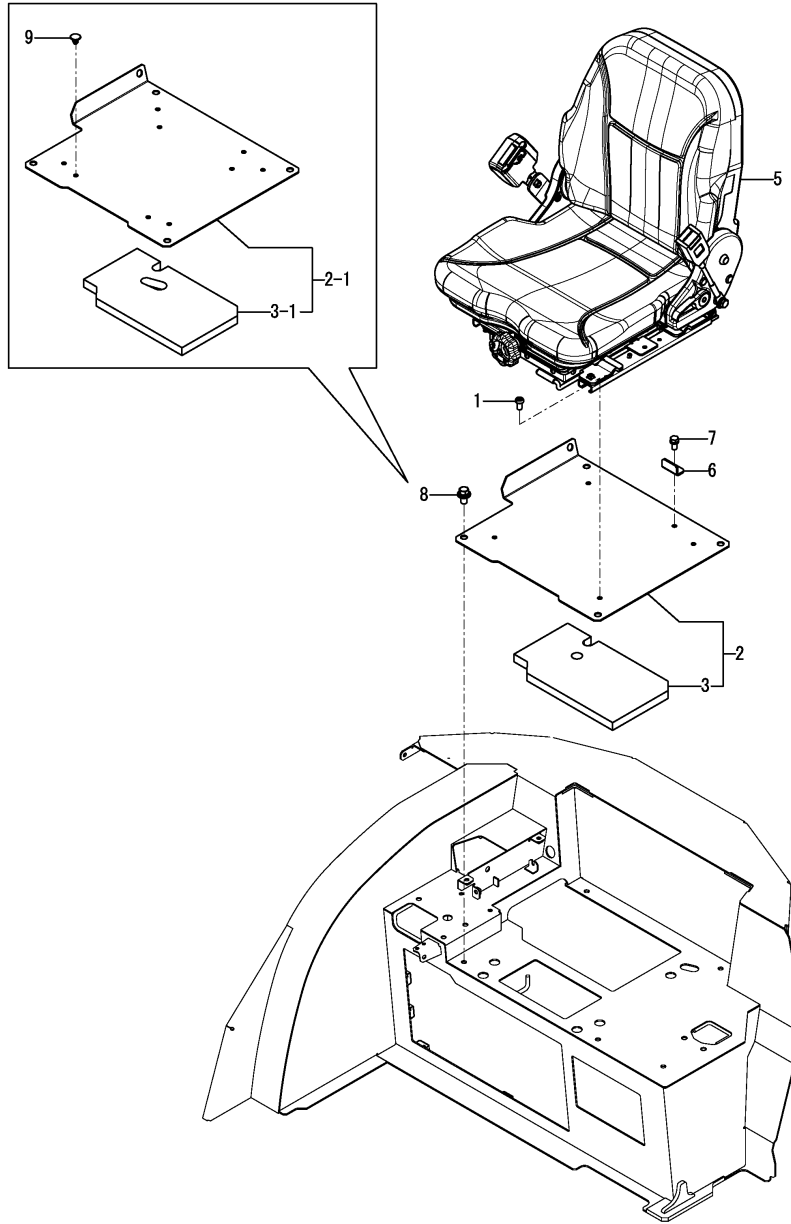
Remarks

- (1)Please use this part with following labels at the same time.  
No.7C & 7D.
- (2)Not illustrated.
- (3)Color = DARK OLIVE GRAY.
- (4)Color = BLACK.

Fig.70. SEAT

(A)=VIO25-6A P(US)  
 (B)=VIO25-6A C(US)  
 (C)=VIO25-6A P(AS)

(D)=VIO25-6A C(AS)  
 (E)=VIO25-6A P(NZ)  
 (F)=VIO25-6A C(NZ)



No.	Lev.	Parts No.	Description	Q'ty						I	R
				(A)	(B)	(C)	(D)	(E)	(F)		
1	1	172455-61710	BOLT M 8X 16	4	4	4	4	4	4		
2	1	172B16-64040	PLATE ASSY,SEAT SUS	1	1	1	1	1	1		
2-1	1	172B16-64041	PLATE ASSY,SEAT SUS	1	1	1	1	1	1	F	2
3	2	172B16-64030	SPONGE, SEAT A	1	1	1	1	1	1		
3-1	2	172B16-64031	SPONGE, SEAT A	1	1	1	1	1	1		N
5	1	172B02-64800	SEAT ASSY,SUS	1	1	1	1	1	1		1
6	1	172B03-64960	PLATE, STOPPER	1	1	1	1	1	1		
7	1	26013-080162	BOLT, M8X 16	1	1	1	1	1	1		
8	1	26014-100202	BOLT, M10X 20	5	5	5	5	5	5		
9	1	172122-17190	CLIP, TREE	4	4	4	4	4	4		W

Remarks

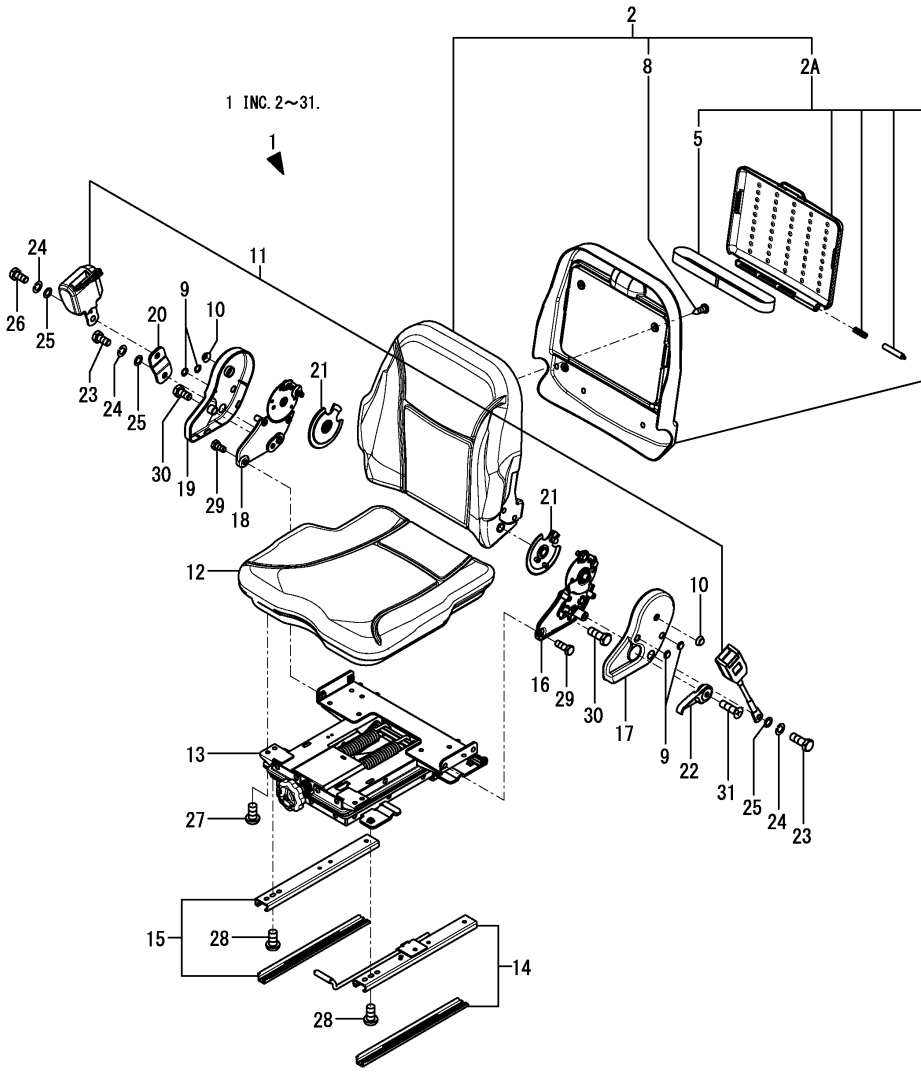
(1)Inner parts are shown in Fig.71.

(2)Interchangeable by simultaneous replacement with No.9 & Fig.68 No.2-1.

Fig.71. SEAT(INNER PARTS)

(A)=VIO25-6A P(US)  
 (B)=VIO25-6A C(US)  
 (C)=VIO25-6A P(AS)

(D)=VIO25-6A C(AS)  
 (E)=VIO25-6A P(NZ)  
 (F)=VIO25-6A C(NZ)



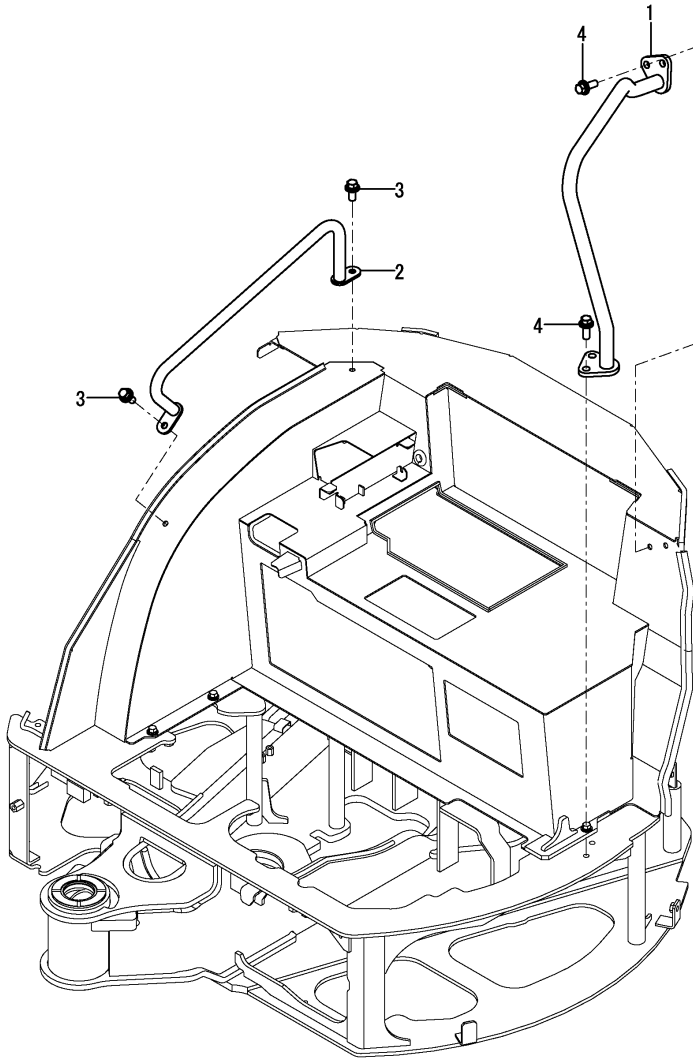
No.	Lev.	Parts No.	Description	Q'ty						I	R
				(A)	(B)	(C)	(D)	(E)	(F)		
1	1	172B02-64800	SEAT ASSY,SUS	1	1	1	1	1	1		
2	2	172B02-64210	SEAT ASSY, BACK	1	1	1	1	1	1		
2A	3	172B02-64270	BOX ASSY,MANUAL	1	1	1	1	1	1	1	W
		(A=*2017.04.) (B=*2017.04.) (C=*2017.04.) (D=*2017.04.) (E=*2017.04.) (F=*2017.04.)									
5	4	172A89-64950	BAND	1	1	1	1	1	1		
8	3	22859-500160	SCREW, 5X16	4	4	4	4	4	4		
8-1	3	22859-500200	SCREW, 5.0 X 20	4	4	4	4	4	4		N
		(A=*2017.04.) (B=*2017.04.) (C=*2017.04.) (D=*2017.04.) (E=*2017.04.) (F=*2017.04.)									
9	2	172B02-64250	CAP	4	4	4	4	4	4		
10	2	172B02-64260	CAP	2	2	2	2	2	2		
11	2	172A89-64740	SEAT BELT ASSY	1	1	1	1	1	1		
12	2	172A89-64780	SEAT, CUSHION	1	1	1	1	1	1		
13	2	172A89-64790	SEAT, SPRING	1	1	1	1	1	1		
14	2	172A89-64800	RAIL ASSY, TL	1	1	1	1	1	1		
15	2	172A89-64810	RAIL ASSY, TR	1	1	1	1	1	1		
16	2	172A89-64820	HINGE ASSY	1	1	1	1	1	1		
17	2	172A89-64830	COVER	1	1	1	1	1	1		
18	2	172A89-64840	HINGE ASSY	1	1	1	1	1	1		
19	2	172A89-64850	COVER	1	1	1	1	1	1		
20	2	172A89-64860	BRACKET ASSY	1	1	1	1	1	1		
21	2	172A89-64870	COVER	2	2	2	2	2	2		
22	2	172A89-64880	LEVER	1	1	1	1	1	1		
23	2	172A89-64890	BOLT	2	2	2	2	2	2		
24	2	172A89-64900	SPRING	3	3	3	3	3	3		
25	2	172A89-64910	WASHER	3	3	3	3	3	3		
26	2	172A89-64920	BOLT	1	1	1	1	1	1		
27	2	26106-080162	BOLT, M8X 16 PLATED	4	4	4	4	4	4		
28	2	26106-080162	BOLT, M8X 16 PLATED	4	4	4	4	4	4		
29	2	26106-100162	BOLT, M10X 16 PLATED	6	6	6	6	6	6		
30	2	26106-100252	BOLT, M10X 25 PLATED	2	2	2	2	2	2		
31	2	26559-050202	SCREW, M5X20	1	1	1	1	1	1		

Fig.72. HANDRAIL

(A)=VIO25-6A P(US)  
 (B)=VIO25-6A C(US)  
 (C)=VIO25-6A P(AS)

(D)=VIO25-6A C(AS)  
 (E)=VIO25-6A P(NZ)  
 (F)=VIO25-6A C(NZ)

No.	Lev.	Parts No.	Description	Q'ty						I	R
				(A)	(B)	(C)	(D)	(E)	(F)		
1	1	172B16-63500	HANDRAIL ASSY,L	1		1		1			
2	1	172B16-63550	HANDRAIL ASSY,R	1		1		1			
3	1	26014-100252	BOLT, M10X 25	2		2		2			
4	1	26014-100302	BOLT, M10X 30	4		4		4			




---

---

---

---

---

---

---

---

---

---

---

---

---

---

---

---

---

---

---

---

---

---

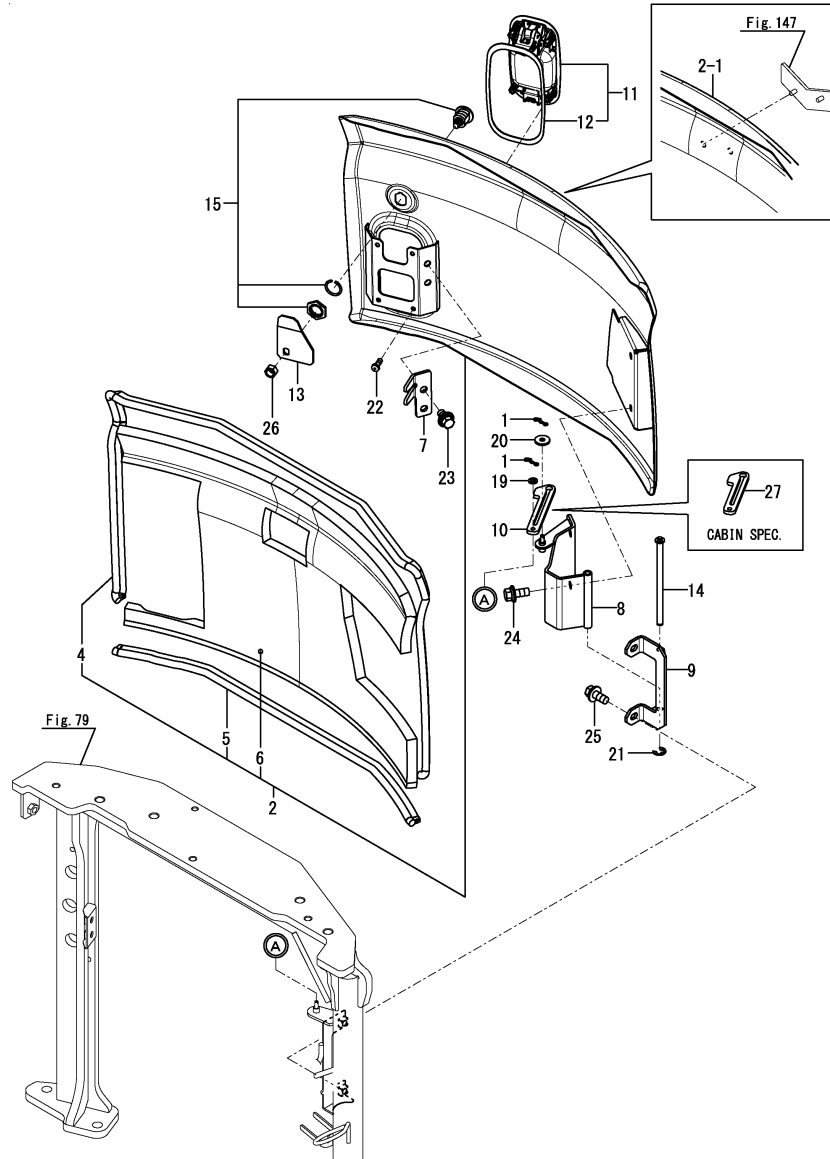
---

---

Fig.73. BONNET(REAR)

(A)=VIO25-6A P(US)  
 (B)=VIO25-6A C(US)  
 (C)=VIO25-6A P(AS)

(D)=VIO25-6A C(AS)  
 (E)=VIO25-6A P(NZ)  
 (F)=VIO25-6A C(NZ)

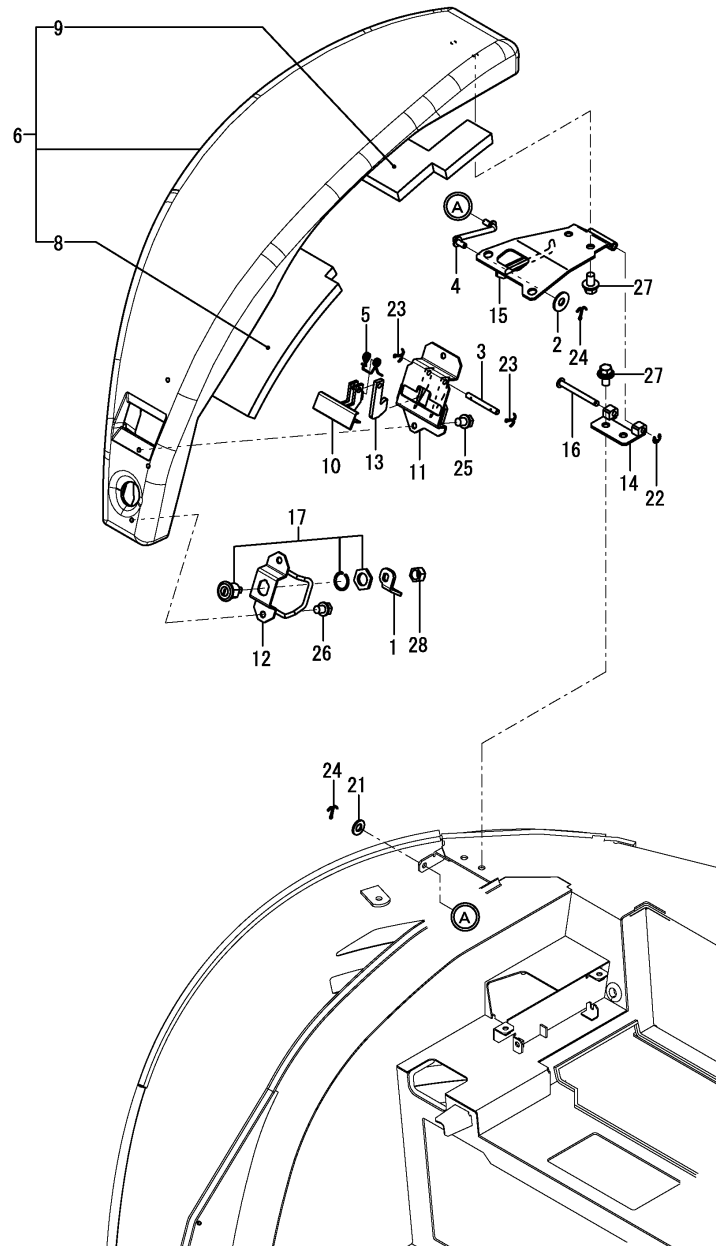


No.	Lev.	Parts No.	Description	Q'ty						I	R
				(A)	(B)	(C)	(D)	(E)	(F)		
1	1	1C6281-52310	PIN, SNAP 6	2	2	2	2	2	2		
2	1	172B16-65100	BONNET ASSY,A	1	1	1	1	1	1		1
2-1	1	172B16-65700	BONNET ASSY,A-FY	1	1	1	1	1	1	S	1
		(A=MAF001)	(B=MAF001)	(C=MAF001)	(D=MAF001)	(E=MAF001)	(F=MAF001)				
4	2	172B03-65320	SEAL, 1625	1	1	1	1	1	1		
5	2	172B03-65330	SEAL, 735	1	1	1	1	1	1		
6	2	172B16-65340	SPONGE,BON.A	1	1	1	1	1	1		
6A	1	172437-03381	LABEL, SWING AREA	1	1	1	1	1	1		3
6B	1	172437-03402	LABEL, ENGINE COVER	1	1	1	1	1	1		3
6C	1	172A36-03411	LABEL, ENGINE ROOM	1	1	1	1	1	1		3
7	1	172B16-65170	GUIDE,BON A	1	1	1	1	1	1		
8	1	172B16-65200	HINGE ASSY,B	1	1	1	1	1	1		2
8A	1	172B16-03390	LABEL,SILENCER EX	1	1	1	1	1	1		3
9	1	172B16-65250	HINGE ASSY,A	1	1	1	1	1	1		
10	1	172B16-65290	GUIDE,BON.A LOCK	1		1		1			
11	1	172B03-65310	HANDLE, LOCK	1	1	1	1	1	1		
12	2	172B02-65350	SEAL	1	1	1	1	1	1		
13	1	172B03-65391	PLATE,KEY LOCK	1	1	1	1	1	1		
14	1	172448-65490	SHAFT, HINGE	1	1	1	1	1	1		
15	1	172B03-66170	CYLINDER ASSY, KEY	1	1	1	1	1	1		
19	1	22117-060000	WASHER, 6	1	1	1	1	1	1		
20	1	22157-060000	WASHER, 6	1	1	1	1	1	1		
21	1	22272-000070	RING, E- 7	1	1	1	1	1	1		
22	1	22857-600160	SCREW, 6X16	4	4	4	4	4	4		
23	1	26014-100202	BOLT, M10X 20	2	2	2	2	2	2		
24	1	26014-100252	BOLT, M10X 25	2	2	2	2	2	2		
25	1	26014-100202	BOLT, M10X 20	2	2	2	2	2	2		
26	1	26347-100002	NUT, M10	1	1	1	1	1	1		
27	1	172B16-65280	GUIDE,BON.A LOCK C		1		1		1		

Remarks

- (1)Please use this part with following labels at the same time.  
No.6A, 6B & 6C.
- (2)Please use this part with following labels at the same time.  
No.8A.
- (3)Not illustrated.

Fig.74. BONNET(FRONT)



(A)=VIO25-6A P(US)  
 (B)=VIO25-6A C(US)  
 (C)=VIO25-6A P(AS)

(D)=VIO25-6A C(AS)  
 (E)=VIO25-6A P(NZ)  
 (F)=VIO25-6A C(NZ)

No.	Lev.	Parts No.	Description	Q'ty						I	R
				(A)	(B)	(C)	(D)	(E)	(F)		
1	1	172B03-61950	STAY, KEY	1	1	1	1	1	1		
2	1	1A1380-62160	WASHER, BELT COVER	1	1	1	1	1	1		
3	1	172458-65050	SHAFT	1	1	1	1	1	1		
4	1	172444-65190	ROD ASSY, STOPPER	1	1	1	1	1	1		
5	1	172734-65270	SPRING, CATCH	1	1	1	1	1	1		
6	1	172B16-65400	BONNET ASSY, B	1	1	1	1	1	1		
8	2	172B16-65420	SPONGE, A	1	1	1	1	1	1		
9	2	172B16-65430	SPONGE, B	1	1	1	1	1	1		
10	1	172124-65450	LEVER ASSY, LOCK	1	1	1	1	1	1		
11	1	172B16-65450	STAY ASSY,CATCH	1	1	1	1	1	1		
12	1	172B16-65470	LOCK ASSY,PLATE	1	1	1	1	1	1		
13	1	172124-65480	CATCHER	1	1	1	1	1	1		
14	1	172B16-65900	HINGE ASSY,A	1	1	1	1	1	1		
15	1	172B16-65930	HINGE ASSY,B	1	1	1	1	1	1		
16	1	172B16-65970	SHAFT ASSY,HINGE	1	1	1	1	1	1		
17	1	172B03-66170	CYLINDER ASSY, KEY	1	1	1	1	1	1		
21	1	22137-080000	WASHER, 8	1	1	1	1	1	1		
22	1	22272-000070	RING, E- 7	1	1	1	1	1	1		
23	1	22417-200200	PIN, COTTER 2.0X20	2	2	2	2	2	2		
24	1	22417-200200	PIN, COTTER 2.0X20	2	2	2	2	2	2		
25	1	26013-080122	BOLT, M8X 12	2	2	2	2	2	2		
26	1	26013-080122	BOLT, M8X 12	2	2	2	2	2	2		
27	1	26014-100202	BOLT, M10X 20	6	6	6	6	6	6		
28	1	26347-100002	NUT, M10	1	1	1	1	1	1		

Fig.75. BONNET(LEFT)

(A)=VIO25-6A P(US)  
 (B)=VIO25-6A C(US)  
 (C)=VIO25-6A P(AS)

(D)=VIO25-6A C(AS)  
 (E)=VIO25-6A P(NZ)  
 (F)=VIO25-6A C(NZ)

No.	Lev.	Parts No.	Description	Q'ty						I	R
				(A)	(B)	(C)	(D)	(E)	(F)		
1	1	172B16-65600	BONNET ASSY, L	1	1	1	1	1	1		
2	2	172458-18850	TRIM	1	1	1	1	1	1		
4	2	172B16-65670	SPONGE,BON.L	1	1	1	1	1	1		
5	1	26014-100202	BOLT, M10X 20	3	3	3	3	3	3		

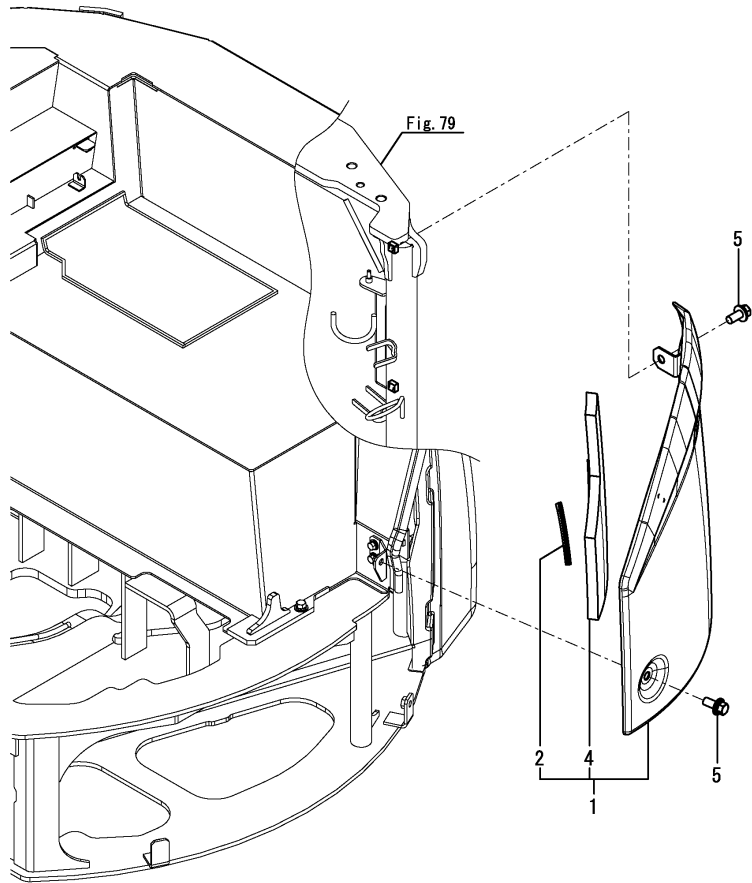
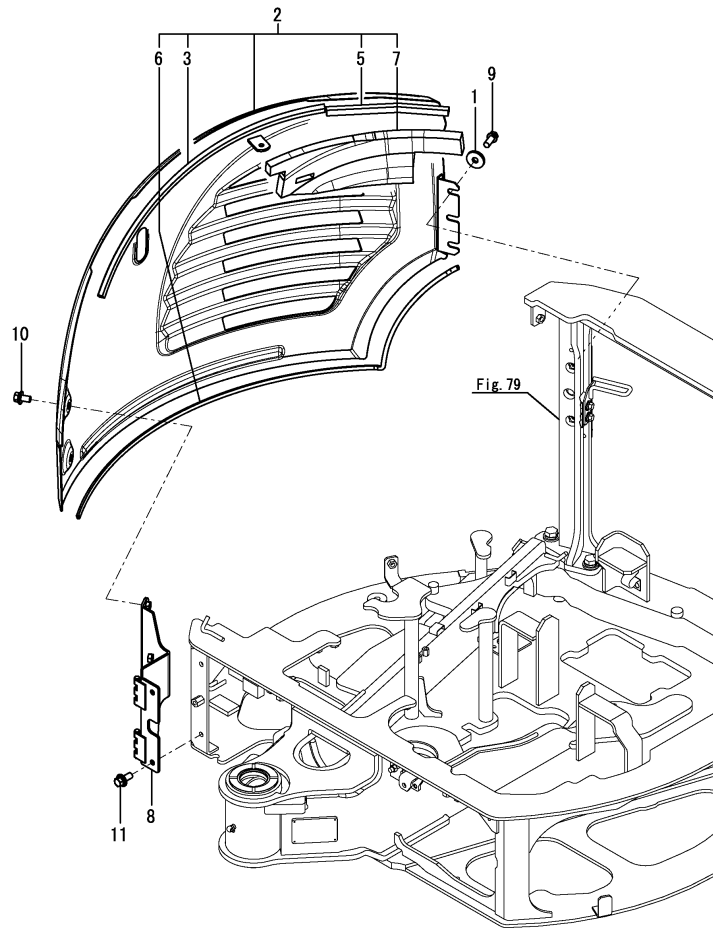


Fig.76. BONNET(RIGHT)

(A)=VIO25-6A P(US)  
 (B)=VIO25-6A C(US)  
 (C)=VIO25-6A P(AS)

(D)=VIO25-6A C(AS)  
 (E)=VIO25-6A P(NZ)  
 (F)=VIO25-6A C(NZ)



No.	Lev.	Parts No.	Description	Q'ty						I	R
				(A)	(B)	(C)	(D)	(E)	(F)		
1	1	172458-61261	WASHER	2	2	2	2	2	2		
2	1	172B16-65860	BONNET ASSY,R US	1	1	1	1	1	1		1
3	2	172142-65160	SEAL, BONNET	1	1	1	1	1	1		
5	2	172B16-65840	SEAL,260	1	1	1	1	1	1		
6	2	172B16-65850	SEAL,1270	1	1	1	1	1	1		
7	2	172B16-65870	SPONGE,BON.R A	1	1	1	1	1	1		
7A	1	172437-03322	LABEL, RESEVOIR	1	1	1	1	1	1		2
8	1	172B16-66160	HINGE ASSY, RF	1	1	1	1	1	1		
9	1	26013-100252	BOLT, M10X 25	2	2	2	2	2	2		
10	1	26014-100202	BOLT, M10X 20	2	2	2	2	2	2		
11	1	26014-100252	BOLT, M10X 25	2	2	2	2	2	2		

Remarks

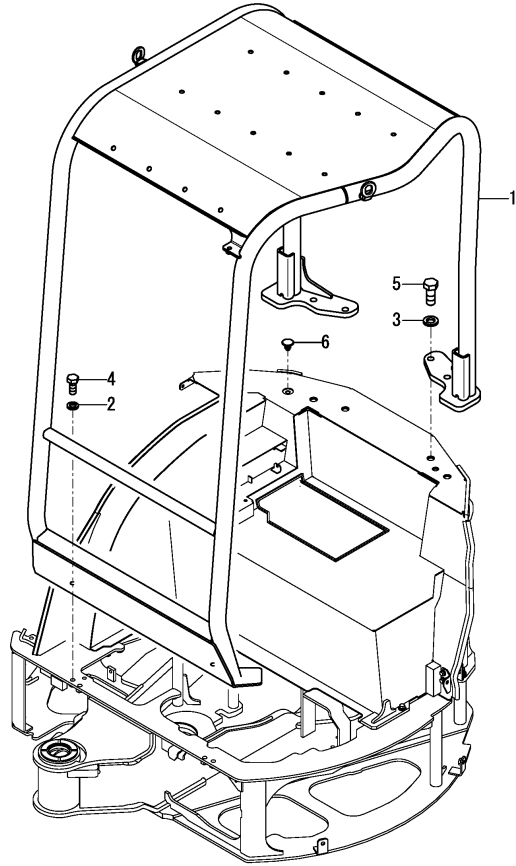
- (1)Please use this part with following labels at the same time.  
No.7A.
- (2)Not illustrated.



Fig.77. CANOPY

(A)=VIO25-6A P(US)  
 (B)=VIO25-6A C(US)  
 (C)=VIO25-6A P(AS)

(D)=VIO25-6A C(AS)  
 (E)=VIO25-6A P(NZ)  
 (F)=VIO25-6A C(NZ)



No.	Lev.	Parts No.	Description	Q'ty						I	R
				(A)	(B)	(C)	(D)	(E)	(F)		
1	1	172B16-66300	CANOPY ASSY, ROPS	1	1		1				1
1A	1	172437-03312	LABEL, SLOPE	1		1		1			2
1B	1	172437-03343	LABEL, TRANSPORT	1		1		1			2
1C	1	172437-03361	LABEL, BATTERY	1		1		1			2
1D	1	172437-03372	LABEL, NEUTRAL	1		1		1			2
1E	1	172437-03441	LABEL, ROPS	1		1		1			2
1F	1	172437-03451	LABEL, SEAT BELT	1		1		1			2
1G	1	172B16-03480	LABEL,LIFT EX	1		1		1			2
2	1	22217-120000	WASHER, SPRING 12	2		2		2			
3	1	22217-160000	WASHER, SPRING 16	4		4		4			
4	1	26076-120302	BOLT, 10.912X 30	2		2		2			
5	1	26076-160402	BOLT, 10.916X 40	4		4		4			
6	1	172176-68210	CLIP, TREE	1		1			1		
(A=*2014.10)				(C=*2014.10)				(E=*2014.10)			

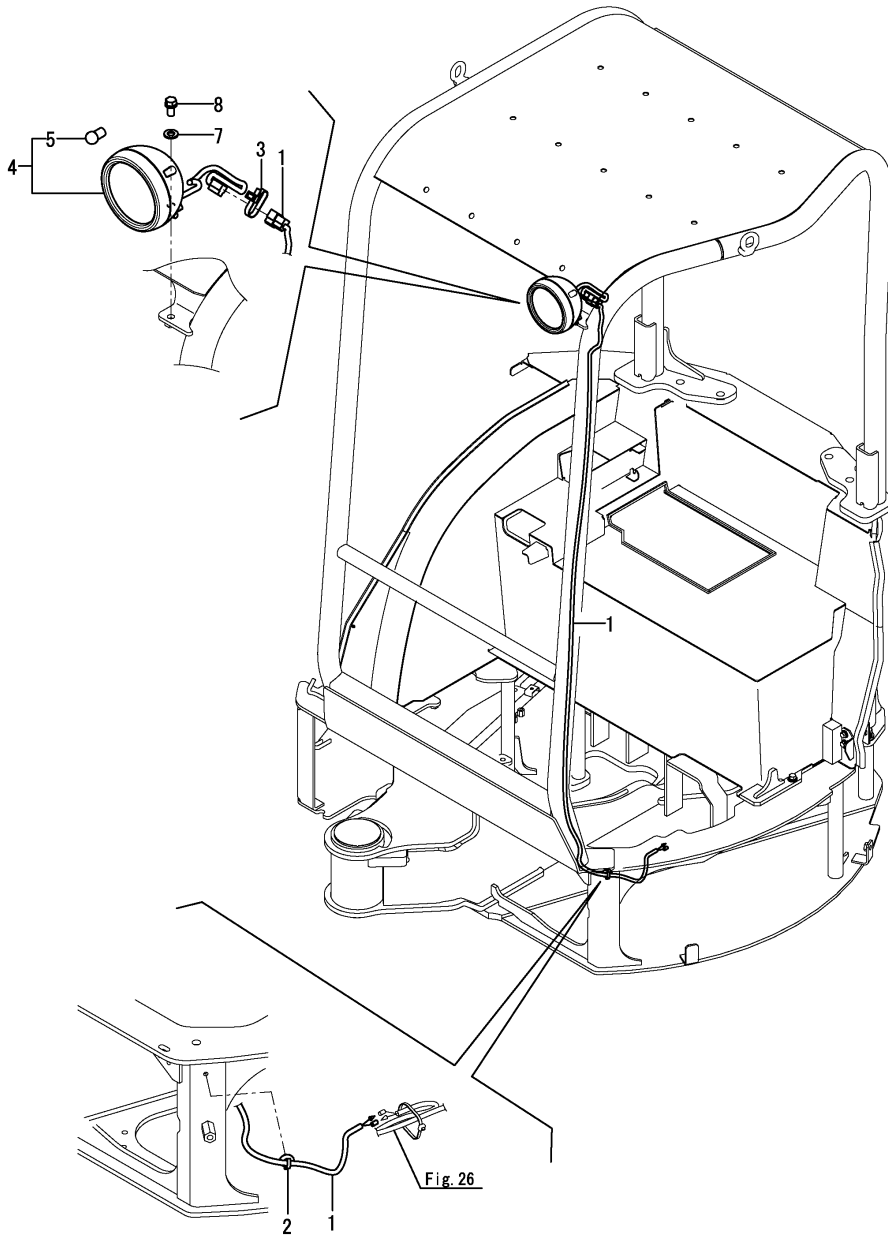
Remarks

(1)Please use this part with following labels at the same time.  
 No.1A, 1B, 1C, 1D, 1E, 1F & 1G.  
 (2)Not illustrated.

Fig.78. CANOPY LAMP

(A)=VIO25-6A P(US)  
 (B)=VIO25-6A C(US)  
 (C)=VIO25-6A P(AS)

(D)=VIO25-6A C(AS)  
 (E)=VIO25-6A P(NZ)  
 (F)=VIO25-6A C(NZ)

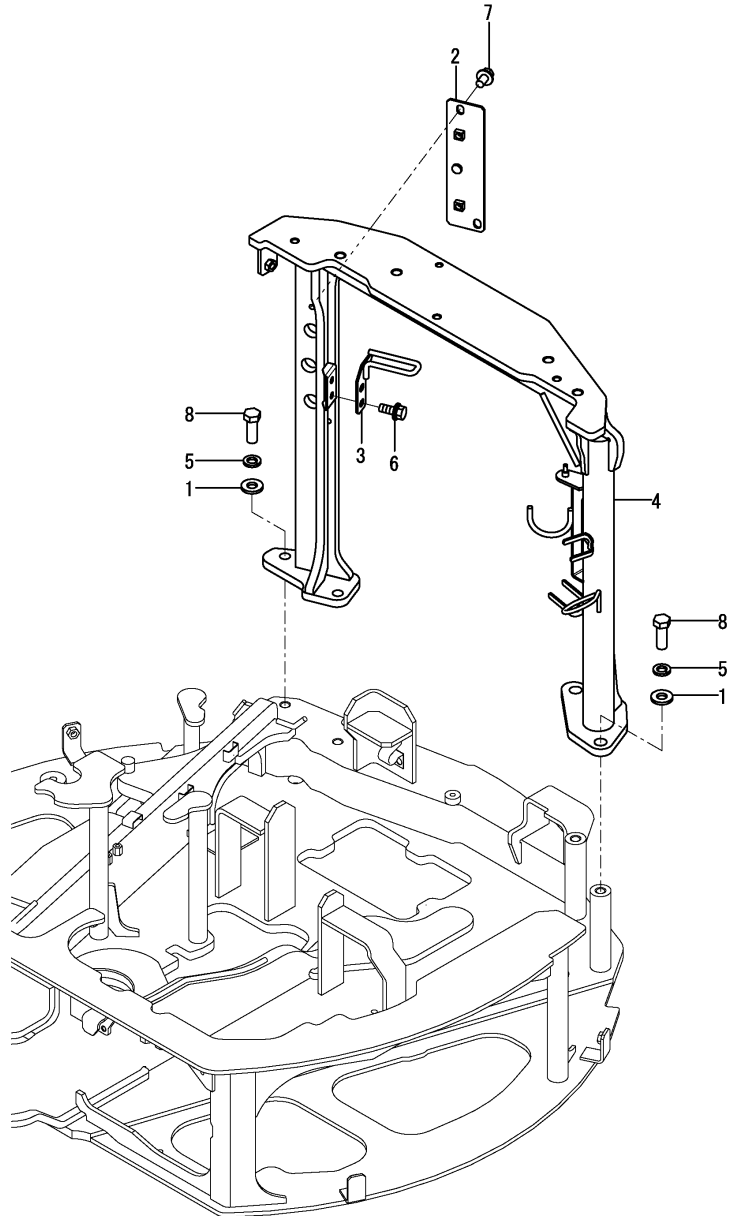


No.	Lev.	Parts No.	Description	Q'ty						I	R
				(A)	(B)	(C)	(D)	(E)	(F)		
1	1	172B03-16650	HARNES, LAMP B	1		1		1			
2	1	1E8915-84120	CLAMP, BAND	1		1		1			
3	1	1E8490-84130	CLAMP, BAND	1		1		1			
4	1	1A7611-86351	LAMP, WORK 55W	1		1		1			
5	2	1A7611-86270	BULB, 12V-55W	1		1		1			
7	1	22137-100000	WASHER, 10	1		1		1			
8	1	26013-100202	BOLT, M10X 20	1		1		1			

Fig.79. CANOPY MOUNT

(A)=VIO25-6A P(US)  
 (B)=VIO25-6A C(US)  
 (C)=VIO25-6A P(AS)

(D)=VIO25-6A C(AS)  
 (E)=VIO25-6A P(NZ)  
 (F)=VIO25-6A C(NZ)

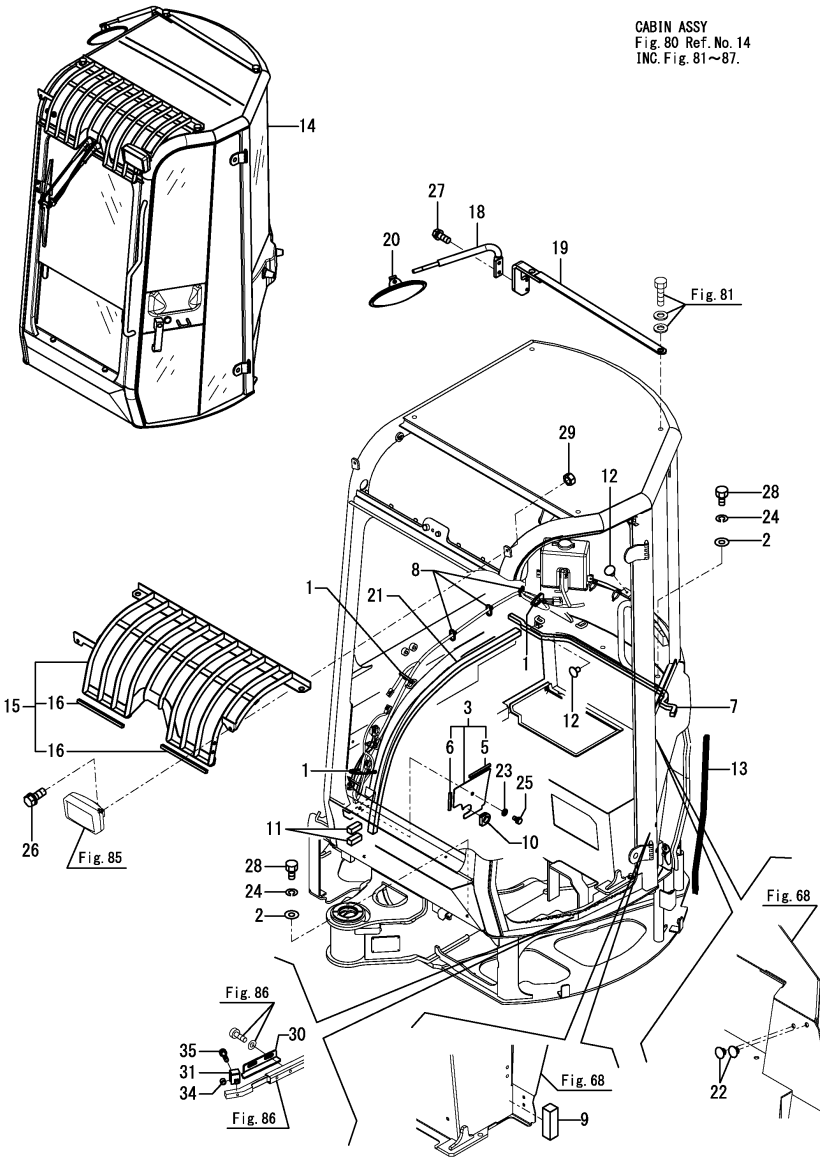


No.	Lev.	Parts No.	Description	Q'ty						I	R
				(A)	(B)	(C)	(D)	(E)	(F)		
1	1	172165-53500	WASHER	4	4	4	4	4	4		
2	1	172B16-65300	BRACKET ASSY,BON.R	1	1	1	1	1	1		
3	1	172B16-65350	CATCH ASSY,BON.A	1	1	1	1	1	1		
4	1	172B16-67510	MOUNT ASSY,CANOPY	1	1	1	1	1	1		
5	1	22217-160000	WASHER, SPRING 16	4	4	4	4	4	4		
6	1	26014-100202	BOLT, M10X 20	2	2	2	2	2	2		
7	1	26014-100202	BOLT, M10X 20	2	2	2	2	2	2		
8	1	26116-160452	BOLT, M16X 45 PLATED	4	4	4	4	4	4		

Fig.80. CABIN(ACCESSORY)(T SPEC.)(TO MAF295)

(A)=VIO25-6A P(US)  
 (B)=VIO25-6A C(US)  
 (C)=VIO25-6A P(AS)

(D)=VIO25-6A C(AS)  
 (E)=VIO25-6A P(NZ)  
 (F)=VIO25-6A C(NZ)



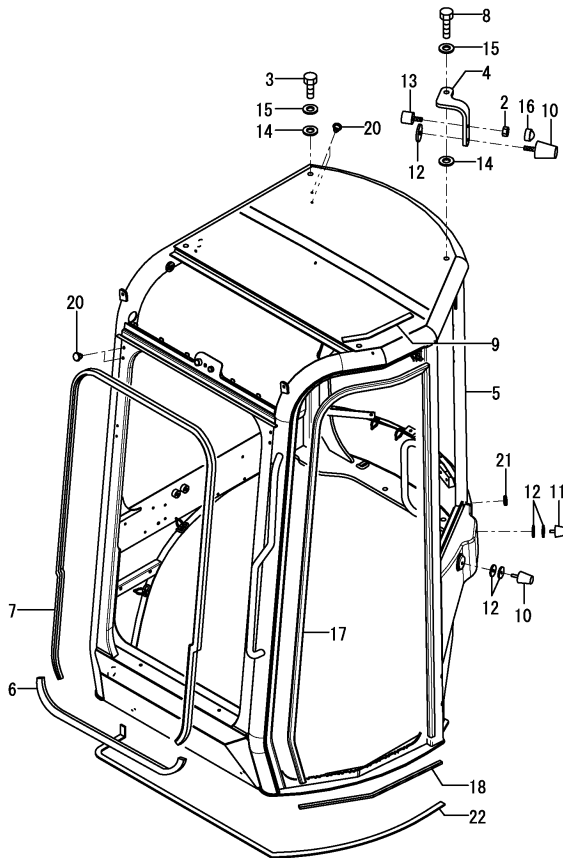
No.	Lev.	Parts No.	Description	Q'ty						I	R
				(A)	(B)	(C)	(D)	(E)	(F)		
1	1	172126-11510	BAND		3		3		3		
2	1	172165-13220	WASHER		8		8		8		
3	1	172B16-17570	COVER ASSY,WIRE C		1		1		1		
5	2	172458-18850	TRIM		1		1		1		
6	2	172175-65641	TRIM		1		1		1		
7	1	172458-54750	SEAL		1		1		1		
8	1	194202-56460	BAND, 200		3		3		3		
9	1	172A82-62120	SEAL,STEP		1		1		1		
10	1	172165-62800	GROMMET		1		1		1		
11	1	172458-63900	STOPPER		2		2		2		
12	1	172458-64610	CLIP, TREE		2		2		2		1
12-1	1	183341-91800	CLIP, TREE 5		2		2		2		S 2
		(B=MAF001)		(D=MAF001)				(F=MAF001)			
13	1	172165-66220	RUBBER, SEAL		1		1		1		
14	1	172B16-68000	CABIN ASSY		1		1		1		Z 3
		(B=MAF296)		(D=MAF296)				(F=MAF296)			
15	1	172A23-68191	FOPS GUARD ASSY		1		1		1		
16	2	172480-13530	SEAL		2		2		2		
18	1	172A25-68301-2	BRACKET ASSY_MIRROR		1		1		1		
19	1	172A23-68500-2	BRACKET ASSY,MIRROR		1		1		1		
20	1	172A25-68500	MIRROR, REARVIEW		1		1		1		
21	1	172456-68810	SEAL		1		1		1		
22	1	172183-81160	CLIP, TREE		2		2		2		
23	1	22137-060000	WASHER, 6		1		1		1		
24	1	22217-120000	WASHER, SPRING 12		8		8		8		
25	1	26013-060122	BOLT, M6X 12		1		1		1		
26	1	26013-080202	BOLT, M8X 20		2		2		2		
27	1	26013-100252	BOLT, M10X 25		2		2		2		
28	1	26076-120352	BOLT, 10.912X 35		8		8		8		
29	1	26716-080002	NUT, M8		2		2		2		
30	1	172A23-68550	GUIDE, STOPPER		1		1		1		W
		(B=M60637)		(D=M60637)				(F=M60637)			
31	1	172A23-68600	CLAMP ASSY, STOPPER		1		1		1		W
		(B=M60637)		(D=M60637)				(F=M60637)			
34	1	172A46-72070	SPACER		1		1		1		W
		(B=M60637)		(D=M60637)				(F=M60637)			
35	1	26013-060202	BOLT, M6X 20		1		1		1		W
		(B=M60637)		(D=M60637)				(F=M60637)			

Remarks  
 (1)Color = GRAY.  
 (2)Color = BLACK.  
 (3)Replacement with Fig.148(87A) No19.  
 The inner parts are not compatible.

Fig.81. CABIN(EXTERIOR)

(A)=VIO25-6A P(US)  
 (B)=VIO25-6A C(US)  
 (C)=VIO25-6A P(AS)

(D)=VIO25-6A C(AS)  
 (E)=VIO25-6A P(NZ)  
 (F)=VIO25-6A C(NZ)



No.	Lev.	Parts No.	Description	Q'ty						I	R
				(A)	(B)	(C)	(D)	(E)	(F)		
2	3	172456-68100	NUT, M8		1		1		1		
3	3	172456-68180	BOLT 16X30		3		3		3		
4	3	172456-68300-1	SUPPORT		1		1		1		
5	3	172B16-68330	CABIN ASSY		1		1		1		1
6	3	172456-68540	SEAL, 640		1		1		1		
7	3	172456-68560	SEAL, 3040		1		1		1		
8	3	172472-68570	BOLT 16X40		1		1		1		
9	3	172456-68630	SEAL, 310		1		1		1		
10	3	172437-68640	STOPPER, DOOR		2		2		2		
11	3	172456-68700	STOPPER, DOOR		1		1		1		
12	3	172456-68710	WASHER, 10X38X5		5		5		5		
13	3	172472-68790	BOLT		1		1		1		
14	3	172A21-68840	WASHER, 15X30X2		4		4		4		
15	3	172A21-68990	WASHER		4		4		4		
16	3	172A21-69030	CAP, NUT M8		1		1		1		
17	3	172456-69280	SEAL 3620		1		1		1		
18	3	172456-69290	SEAL 550		1		1		1		
20	3	172456-67970	CAP		6		6		6		
21	3	172456-68240	GROMMET		1		1		1		
22	2	172B16-68280	SEAL		1		1		1		
23A	1	172437-03361	LABEL, BATTERY		1		1		1		2
23B	1	172437-03441	LABEL, ROPS		1		1		1		2
23C	1	172437-03451	LABEL, SEAT BELT		1		1		1		2
23D	1	172437-03551	LABEL, WINDOW US		1		1		1		2

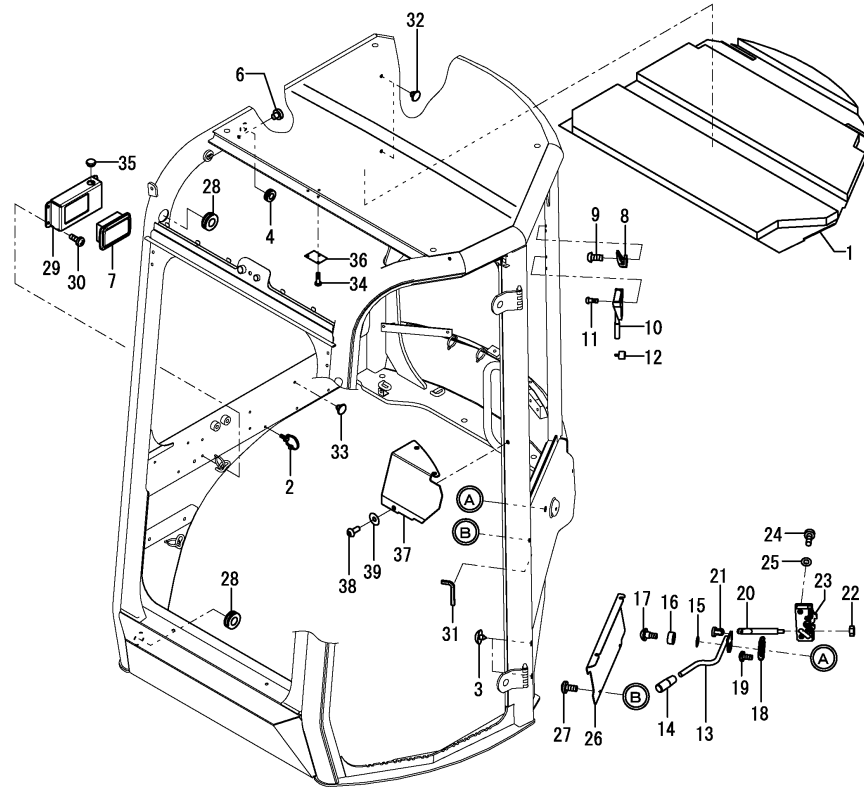
Remarks

- \* Cabin assy is shown in Fig.80.
- (1)Please use this part with following labels at the same time.  
No.23A, 23B, 23C & 23D.
- (2)Not illustrated.

Fig.82. CABIN(INTERIOR)

(A)=VIO25-6A P(US)  
 (B)=VIO25-6A C(US)  
 (C)=VIO25-6A P(AS)

(D)=VIO25-6A C(AS)  
 (E)=VIO25-6A P(NZ)  
 (F)=VIO25-6A C(NZ)



No.	Lev.	Parts No.	Description	Q'ty						I	R
				(A)	(B)	(C)	(D)	(E)	(F)		
1	3	172B16-68110	TOP BOARD ASSY	1	1	1					
2	3	172B16-68150	CLAMP, CABLE	3	3	3					
3	3	172456-68260	PLUG	2	2	2					
4	3	172456-68530	GROMMET, 16X22X3	1	1	1					
6	3	172456-68570	PLUG	2	2	2					
7	3	172456-68620	ASHTRAY	1	1	1					
8	3	172456-68640	HOOK	1	1	1					
9	3	172456-68650	SCREW, M3.5X12.7	2	2	2					
10	3	172456-68660	HAMMER	1	1	1					
11	3	172456-68670	RIVET 3.2X8	2	2	2					
12	3	172456-68680	SEAL, BAND	1	1	1					
13	3	172456-68760	LEVER DOOR LOCK	1	1	1					
14	3	172456-68770	KNOB, LEVER	1	1	1					
15	3	172456-68780	WASHER	1	1	1					
16	3	172456-68790	COLLAR, NYLON	1	1	1					
17	3	172456-68800	SCREW	1	1	1					
18	3	172456-68830	SPRING, 1.5X10X50	1	1	1					
19	3	172456-68840	SCREW, M8X20	1	1	1					
20	3	172456-68850	LINKAGE	1	1	1					
21	3	172456-68860	CLIP	1	1	1					
22	3	172456-68870	NUT, SAFETY	1	1	1					
23	3	172456-68880	CATCH, DOOR	1	1	1					
24	3	172456-68890	SCREW, M6X25	4	4	4					
25	3	172456-68930	WASHER	4	4	4					
26	3	172456-68940-1	COVER LOCK	1	1	1					
27	3	172456-68950	SCREW, M6X16	4	4	4					
28	3	172A21-68970	GROMMET, 20X28X4	2	2	2					
29	3	172456-69300-1	SUPPORT, ASHTRAY	1	1	1					
30	3	172456-69310	SCREW, M4.8X16	4	4	4					
31	3	172456-69320	SEAL, 90	1	1	1					
32	3	172A21-69520	PLUG	2	2	2					
33	3	172456-67970	CAP	2	2	2					
34	3	172456-68220	SCREW, M4.8X15.9	3	3	3					
35	3	172456-68230	PLUG	1	1	1					
36	3	172456-68250	CAP	1	1	1					
37	3	172B16-68260	COVER	1	1	1					
38	3	172456-68950	SCREW, M6X16	3	3	3					
39	3	172456-69520	WASHER	3	3	3					

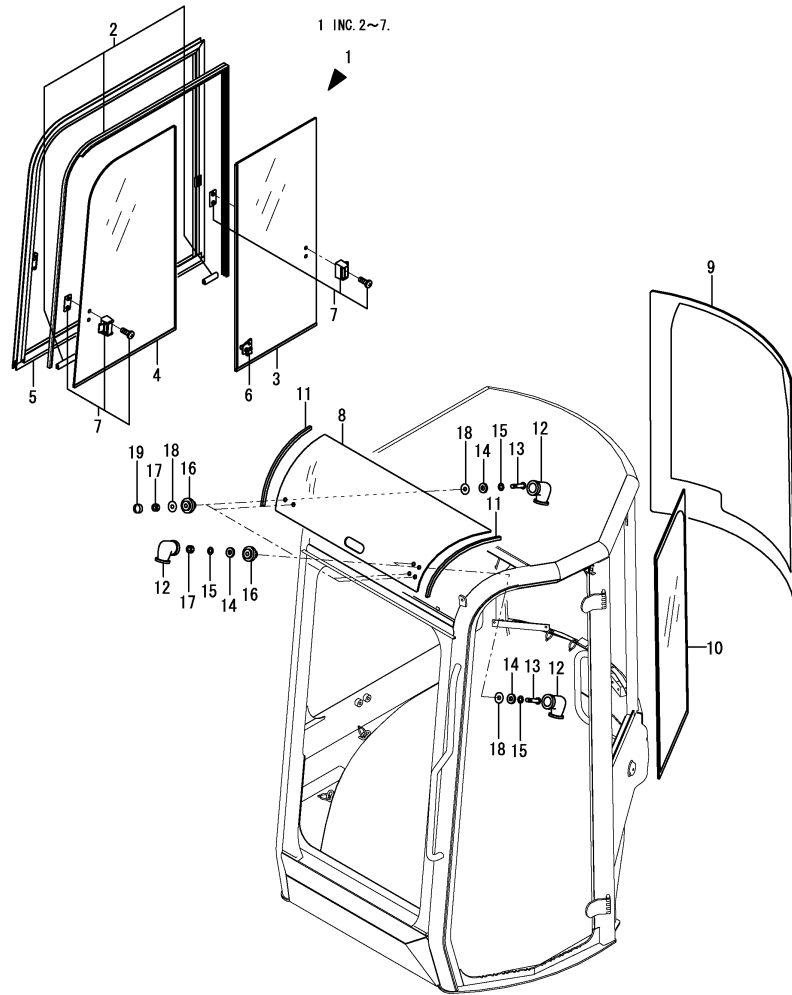
Remarks

\* Cabin assy is shown in Fig.80.

Fig.83. CABIN(GLASS)

(A)=VIO25-6A P(US)  
 (B)=VIO25-6A C(US)  
 (C)=VIO25-6A P(AS)

(D)=VIO25-6A C(AS)  
 (E)=VIO25-6A P(NZ)  
 (F)=VIO25-6A C(NZ)



No.	Lev.	Parts No.	Description	Q'ty						I	R	
				(A)	(B)	(C)	(D)	(E)	(F)			
1	3	172B16-68040	GLASS ASSY,SIDE R		1		1					
2	4	172B16-68050	FRAME ASSY,SLIDE		1		1					
3	4	172B16-68060	GLASS ASSY, SIDE RR		1		1					
4	4	172B16-68070	GLASS ASSY, SIDE RF		1		1					
5	4	172B16-68080	FRAME ASSY		1		1					
6	4	172B16-68090	LOCK		1		1					
7	4	172B16-68100	DOOR,KNOB		2		2					
8	3	172B16-68140	ROOF,GLASS		1		1					
9	3	172456-68430	GLASS		1		1					1
10	3	172456-68440	GLASS		1		1					2
11	3	172456-68490	SEAL, JOINT 300		2		2					
12	3	172456-68110	CAP		8		8					
13	3	172456-68120	SCREW		6		6					
14	3	172456-68130	WASHER, 7X16X3		8		8					
15	3	172456-68140	WASHER, 6		8		8					
16	3	172456-68160	NUT, SEAL M6		6		6					
17	3	172456-68170	NUT, BRASS M6		6		6					
18	3	172456-69520	WASHER		10		10					
19	3	172456-69910	CAP, NUT M6		4		4					
20A	1	172M09-03480	LABEL,LIFT MA		1		1					3
21A	1	172437-03312	LABEL, SLOPE		1		1					3
21B	1	172437-03343	LABEL, TRANSPORT		1		1					3
21C	1	172437-03372	LABEL, NEUTRAL		1		1					3

Remarks

\* Cabin assy is shown in Fig.80.

(1)Please use this part with following labels at the same time.  
 No.20A.

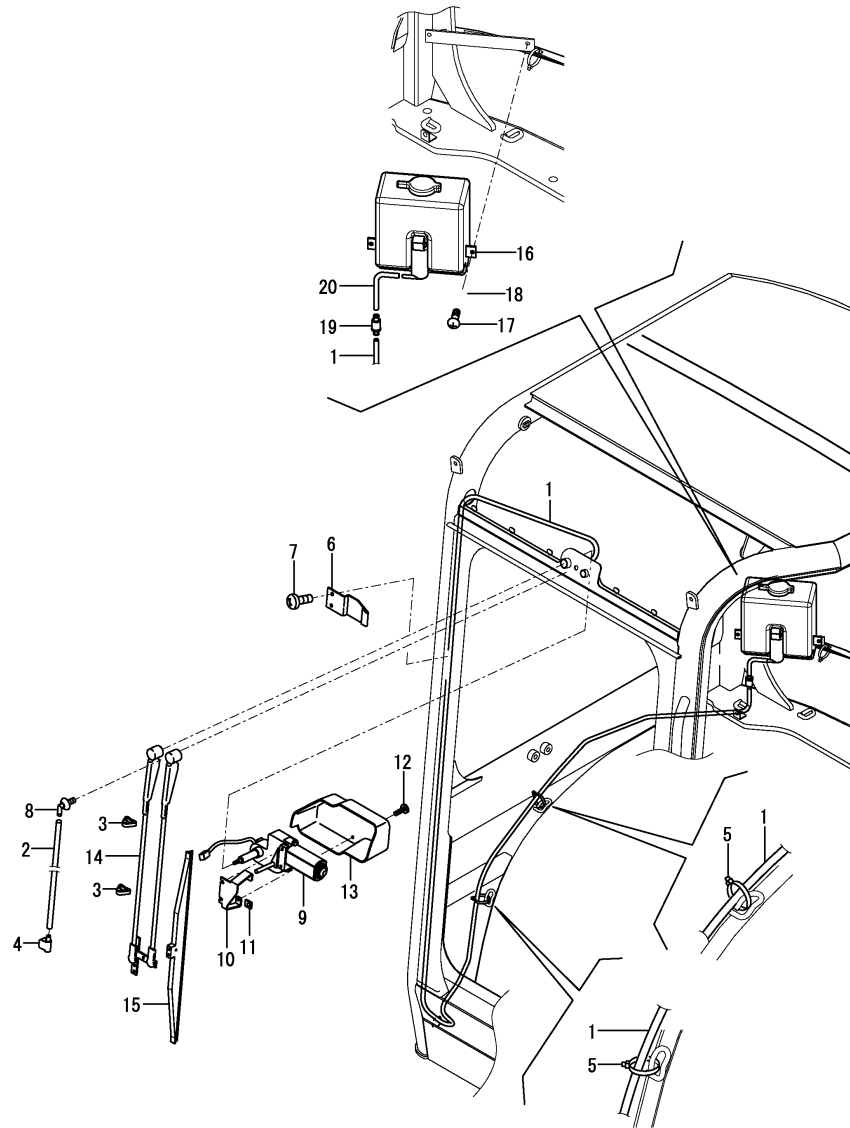
(2)Please use this part with following labels at the same time.  
 No.21A, 21B & 21C.

(3)Not illustrated.

Fig.84. CABIN(WIPER & WINDOW WASHER)

(A)=VIO25-6A P(US)  
 (B)=VIO25-6A C(US)  
 (C)=VIO25-6A P(AS)

(D)=VIO25-6A C(AS)  
 (E)=VIO25-6A P(NZ)  
 (F)=VIO25-6A C(NZ)



No.	Lev.	Parts No.	Description	Q'ty						I	R
				(A)	(B)	(C)	(D)	(E)	(F)		
1	3	172B16-68020	HOSE,WASHER R		1		1				
2	3	172B16-68030	HOSE,WASHER F		1		1				
3	3	172B16-68180	CLIP		2		2				
4	3	172437-68520	NOZZLE, WASHER		1		1				
5	3	172456-68520	CLAMP, CABLE		9		9				
6	3	172456-68600-1	SUPPORT, WIPER BLADE		1		1				
7	3	172456-68610	SCREW, M5X8		2		2				
8	3	172A21-68930	BEND UNION		1		1				
9	3	172456-68990	WIPER MOTOR		1		1				
10	3	172456-69170-1	SUPPORT,MOTOR		1		1				
11	3	172456-69180	CLIP		2		2				
12	3	172456-69190	SCREW, M5X12		2		2				
13	3	172456-69200	COVER, MOTOR		1		1				
14	3	172456-69210	ARM, WIPER		1		1				
15	3	172456-69220	BLADE, WIPER		1		1				
16	3	172B16-68270	TANK, WASHER		1		1				
17	3	172456-68950	SCREW, M6X16		2		2				
18	3	172456-69520	WASHER		2		2				
19	3	172B16-68160	VALVE, WASHER		1		1			1	W
		(B=*2015.07.)	(D=*2015.07.)							(F=*2015.07.)	
20	3	172B16-68170	HOSE,WASHER TANK		1		1			1	W
		(B=*2015.07.)	(D=*2015.07.)							(F=*2015.07.)	

Remarks

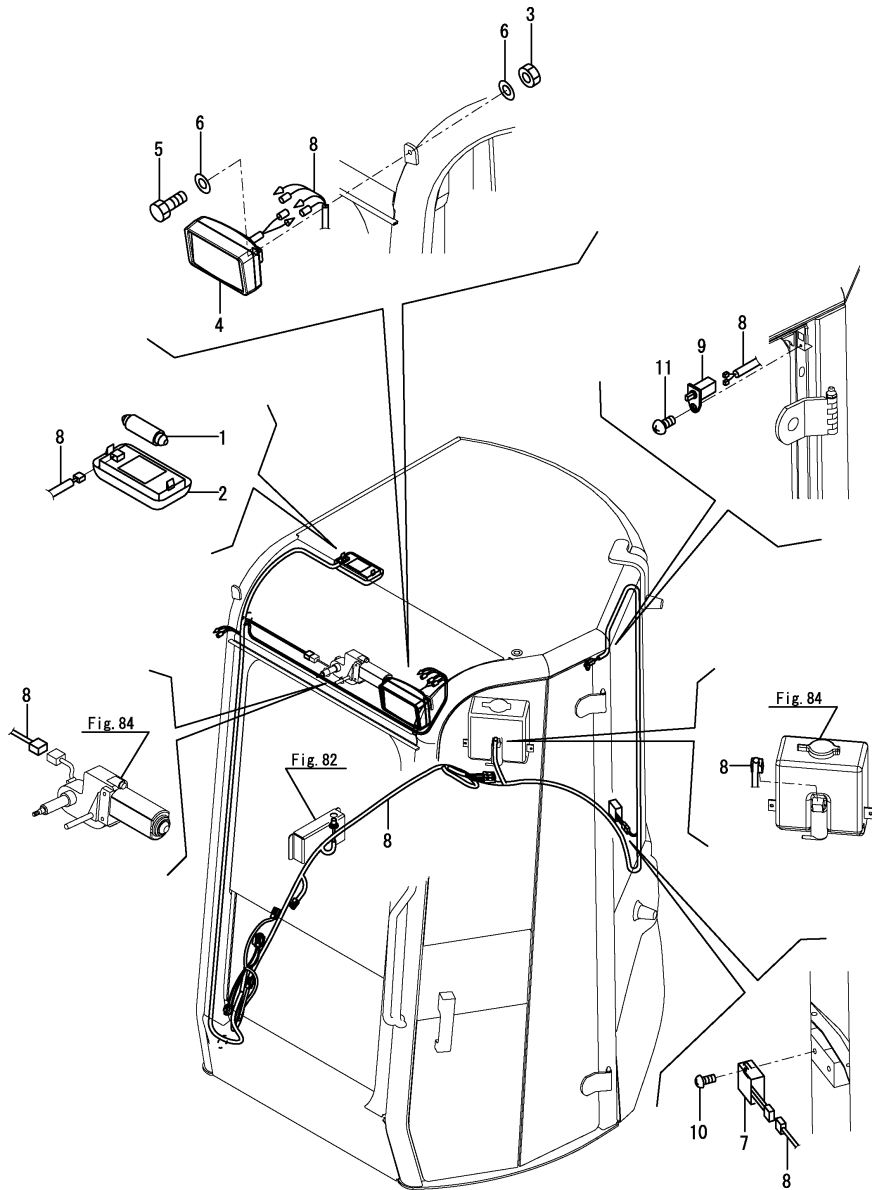
\* Cabin assy is shown in Fig.80.



Fig.85. CABIN(ELECTRIC PARTS)

(A)=VIO25-6A P(US)  
 (B)=VIO25-6A C(US)  
 (C)=VIO25-6A P(AS)

(D)=VIO25-6A C(AS)  
 (E)=VIO25-6A P(NZ)  
 (F)=VIO25-6A C(NZ)

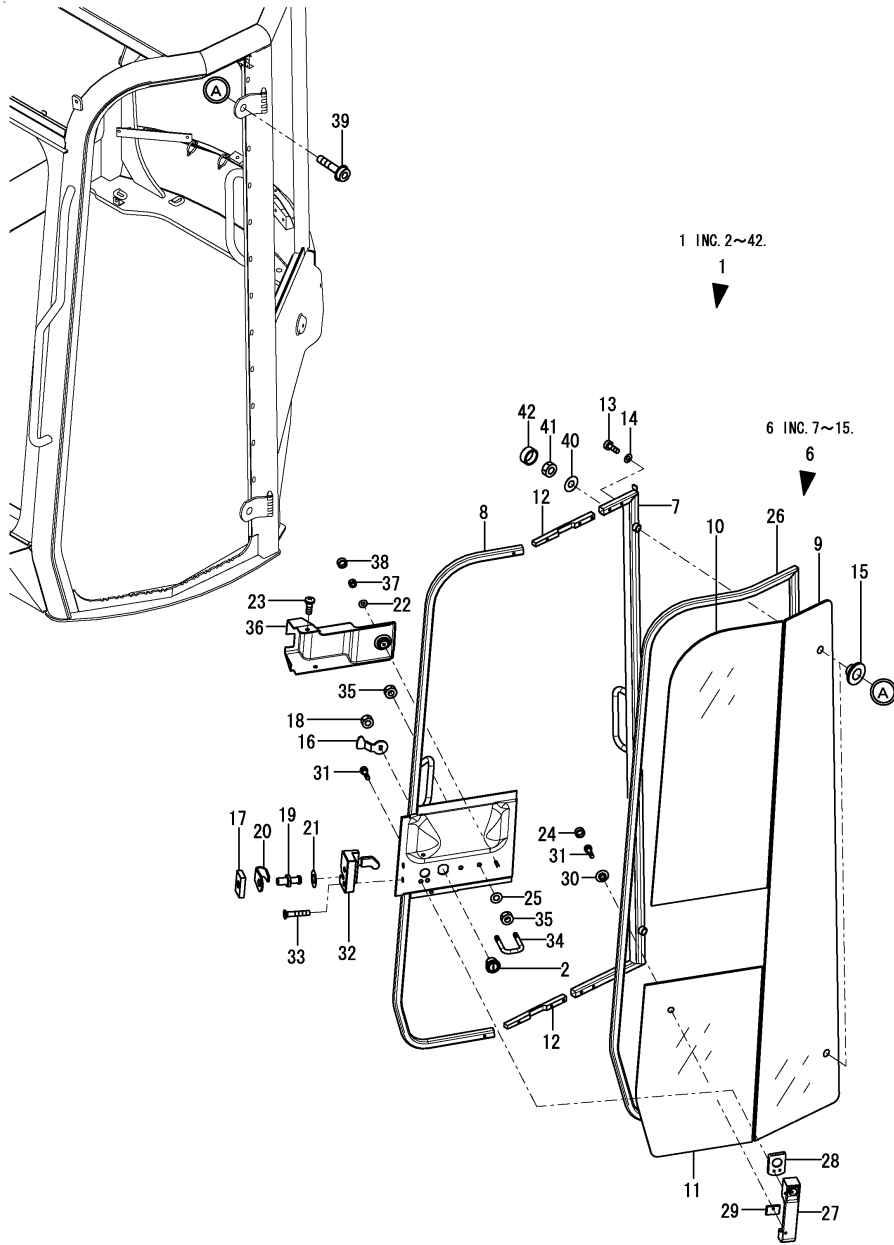


No.	Lev.	Parts No.	Description	Q'ty						I	R
				(A)	(B)	(C)	(D)	(E)	(F)		
1	3	172B16-68120	LAMP		1		1				
2	3	172B16-68130	LAMP, ROOM		1		1				
3	3	172456-68100	NUT, M8		1		1				
4	3	172456-69970	WORK LAMP		1		1				
5	3	172456-69980	SCREW, M8X16		1		1				
6	3	172456-69990	WASHER, 8		2		2				
7	2	172B16-68290	TIMER UNIT,CAB		1		1				
8	2	172B16-68300	HARNESS, CABIN		1		1				
9	2	172B16-68310	SWITCH,DOOR		1		1				
10	2	172456-68610	SCREW, M5X8		1		1				
11	2	172456-68650	SCREW, M3.5X12.7		1		1				

Remarks

\* Cabin assy is shown in Fig.80.

Fig.86. CABIN DOOR



(A)=VIO25-6A P(US)  
 (B)=VIO25-6A C(US)  
 (C)=VIO25-6A P(AS)

(D)=VIO25-6A C(AS)  
 (E)=VIO25-6A P(NZ)  
 (F)=VIO25-6A C(NZ)

No.	Lev.	Parts No.	Description	Q'ty						I	R
				(A)	(B)	(C)	(D)	(E)	(F)		
1	2	172B16-68190	DOOR ASSY, CABIN	1			1			1	
2	3	172B03-66170	CYLINDER ASSY, KEY		1		1			1	
6	3	172B16-68200	DOOR ASSY	1			1			1	
7	4	172B16-68210	FRAME ASSY, SIDE L R		1		1			1	
8	4	172B16-68220	FRAME ASSY, SIDE L F		1		1			1	
9	4	172456-69630	GLASS		1		1			1	
10	4	172456-69640	GLASS		1		1			1	
11	4	172456-69650	GLASS		1		1			1	
12	4	172456-69660	BAR		2		2			2	
13	4	172456-69670	SCREW, M5X15		4		4			4	
14	4	172456-69680	WASHER		4		4			4	
15	4	172456-69690	SPACER, RUBBER		2		2			2	
16	3	172B16-68230	KEYLOCK		1		1			1	
17	3	172B16-68240	PLATE		1		1			1	
18	3	172437-68720	NUT		1		1			1	
19	3	172456-68720	CATCH, DOOR		1		1			1	
20	3	172456-68730	PROTECTOR L		1		1			1	
21	3	172456-68750	WASHER, 12X30X2		1		1			1	
22	3	172456-68930	WASHER		1		1			1	
23	3	172456-68950	SCREW, M6X16		2		2			2	
24	3	172456-69240	CAP, NUT		1		1			1	
25	3	172456-69260	WASHER 10.2X18.5X2.5		2		2			2	
26	3	172456-69710	SEAL, 4070		1		1			1	
27	3	172456-69720-1	HANDLE OUTER		1		1			1	
28	3	172456-69730	SOLE, HANDLE		1		1			1	
29	3	172456-69740	SOLE, HANDLE		1		1			1	
30	3	172456-69750	SPACER, PLASTIC		1		1			1	
31	3	172456-69770	SCREW, M6X20		3		3			3	
32	3	172456-69830	LOCK ASSY		1		1			1	
33	3	172456-69840	SCREW, M8X40		2		2			2	
34	3	172456-69850-1	DOOR CATCH		1		1			1	
35	3	172456-69860	NUT		4		4			4	
36	3	172456-69880	COVER, LOCK		1		1			1	
37	3	172456-69900	NUT, M6		1		1			1	
38	3	172456-69910	CAP, NUT M6		1		1			1	
39	3	172456-69920	BOLT BM12X60		2		2			2	
40	3	172456-69930	WASHER 12X22.5X2.5		2		2			2	
41	3	172456-69940	NUT, M12		2		2			2	
42	3	172456-69950	CAP, 12		2		2			2	

Remarks

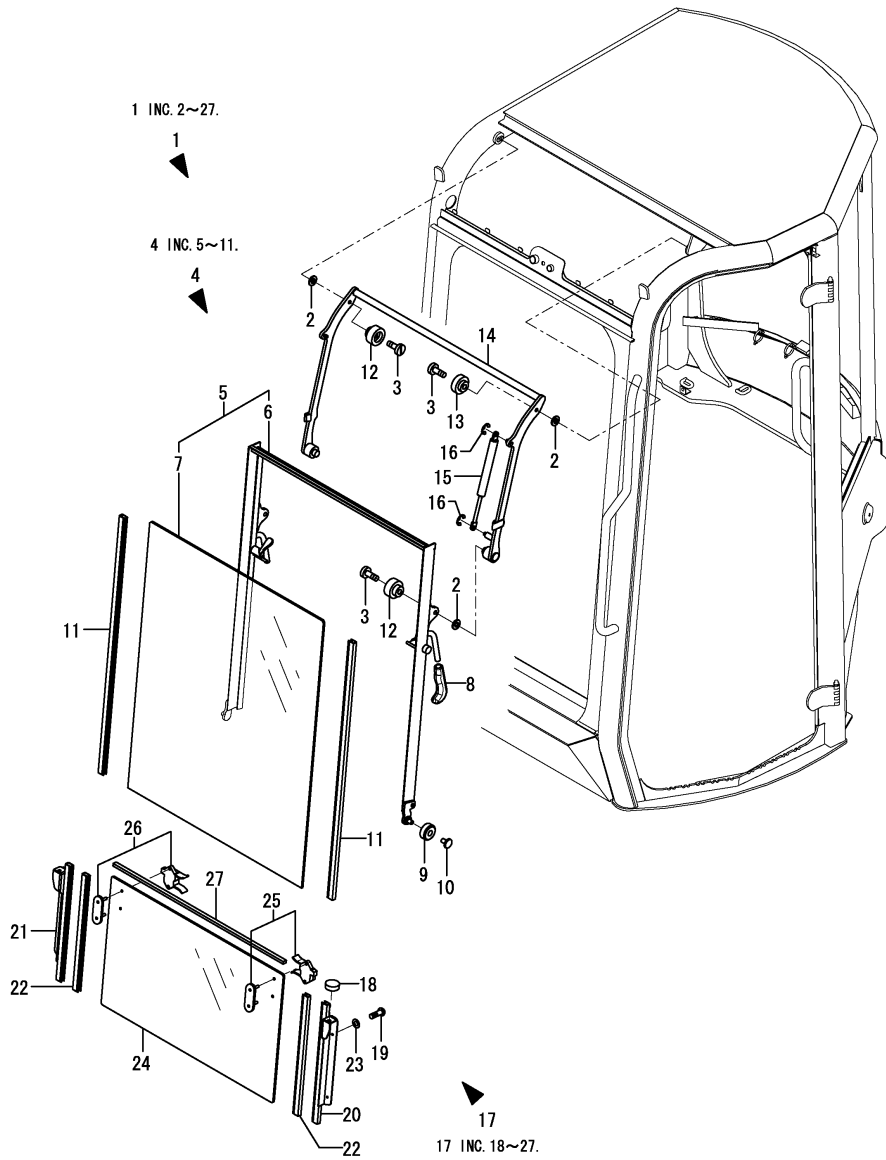
\* Cabin assy is shown in Fig.80.

N:Old  $\xrightarrow{Yes}$  New, Q:Old  $\xrightarrow{No}$  New, R:Old  $\xrightarrow{Yes}$  New, S:Old  $\xrightarrow{No}$  New, W:Add, Z:Discontinued, F:Interchangeable by set, K:Q'ty Change

Fig.87. CABIN(FRONT WINDOW)

(A)=VIO25-6A P(US)  
 (B)=VIO25-6A C(US)  
 (C)=VIO25-6A P(AS)

(D)=VIO25-6A C(AS)  
 (E)=VIO25-6A P(NZ)  
 (F)=VIO25-6A C(NZ)



No.	Lev.	Parts No.	Description	Q'ty						I	R
				(A)	(B)	(C)	(D)	(E)	(F)		
1	2	172456-69330-1	FRONT GLASS ASSY		1		1				
2	3	172456-68780	WASHER		4		4				4
3	3	172456-68800	SCREW		4		4				4
4	3	172456-69340-1	FRONT GLASS UP ASSY		1		1				1
5	4	172456-69350	FRONT GLASS ASSY		1		1				1
6	5	172456-69360-1	FLAME, FRONT GLASS		1		1				1
7	5	172456-69370	GLASS		1		1				1
8	4	172456-69380	GRIP		2		2				2
9	4	172456-69390	BUSH, NYLON		2		2				2
10	4	172456-69400	PLUG		1		1				1
11	4	172456-69410	SEAL, 780		2		2				2
12	3	172456-69420	SPACER, NYLON		3		3				3
13	3	172456-69430	WASHER, NYLON		1		1				1
14	3	172456-69440-1	LINKAGE		1		1				1
15	3	172456-69450	SPRING, GAS		2		2				2
16	3	172456-69460	CIRCLIP		4		4				4
17	3	172456-69530	GLASS ASSY		1		1				1
18	4	172456-68550	STOPPER		2		2				2
19	4	172456-68950	SCREW, M6X16		4		4				4
20	4	172456-69470-1	GUIDE L		1		1				1
21	4	172456-69480-1	GUIDE R		1		1				1
22	4	172456-69490	SEAL, NYLON 410		2		2				2
23	4	172456-69520	WASHER		4		4				4
24	4	172456-69540	GLASS		1		1				1
25	4	172456-69551	LOCK, L UNDER GLASS		1		1				1
26	4	172456-69561	LOCK, R UNDER GLASS		1		1				1
27	4	172456-69580	SEAL, 590		1		1				1

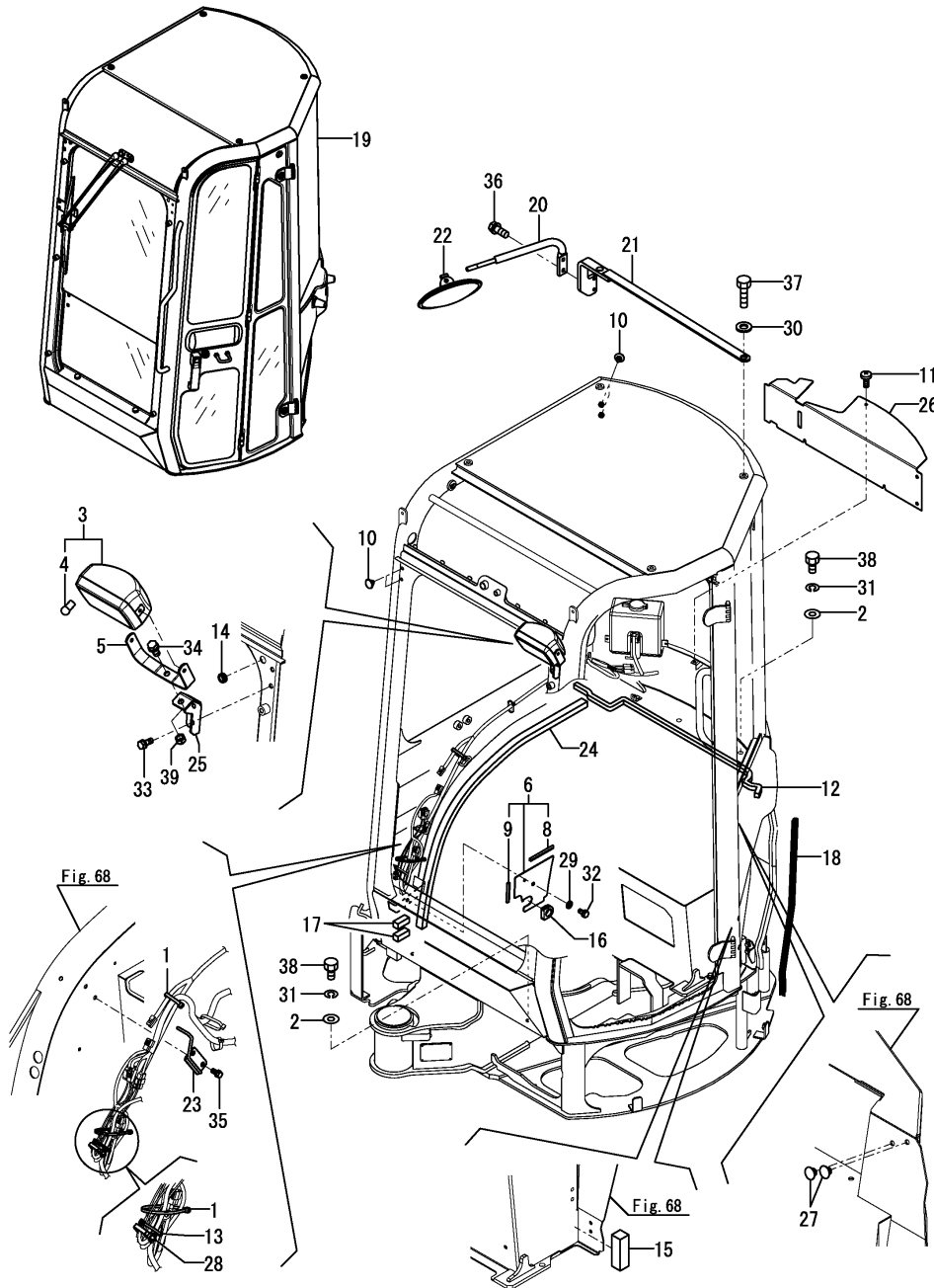
Remarks

\* Cabin assy is shown in Fig.80.

Fig.148. (87A)CABIN(Accessory)(Y SPEC.)(FROM MAF296)

(A)=VIO25-6A P(US)  
 (B)=VIO25-6A C(US)  
 (C)=VIO25-6A P(AS)

(D)=VIO25-6A C(AS)  
 (E)=VIO25-6A P(NZ)  
 (F)=VIO25-6A C(NZ)



No.	Lev.	Parts No.	Description	Q'ty						I	R
				(A)	(B)	(C)	(D)	(E)	(F)		
1	1	172126-11510	BAND, BINDING 300		2		2		2		
2	1	172165-13220	WASHER		8		8		8		
3	1	172458-17400	LAMP, 150X95		1		1		1		
4	2	172458-17420	BULB, 12V 55W		1		1		1		
5	1	172458-17410-4	STAY, LAMP		1		1		1		
6	1	172B16-17570	COVER ASSY,WIRE C		1		1		1		
8	2	172458-18850	TRIM		1		1		1		
9	2	172175-65641	TRIM		1		1		1		
10	1	172444-17660	CLIP, TREE 8		4		4		4		
11	1	172137-46210	SCREW, BIND		3		3		3		
12	1	172458-54750	SEAL, 960		1		1		1		
13	1	194202-56460	BAND, BINDING 200		1		1		1		
14	1	172162-61850	GROMMET		1		1		1		
15	1	172A82-62120	SEAL,STEP		1		1		1		
16	1	172165-62800	GROMMET, 26		1		1		1		
17	1	172458-63900	STOPPER		2		2		2		
18	1	172165-66220	RUBBER, SEAL B		1		1		1		
19	1	172B16-68001	CABIN ASSY		1		1		1		W
(B=MAF296)				(D=MAF296)				(F=MAF296)			
20	1	172A25-68301-2	BRACKET ASSY, MIRROR		1		1		1		
21	1	172A23-68500-2	BRACKET ASSY,MIRROR		1		1		1		
22	1	172A25-68500	MIRROR, REARVIEW		1		1		1		
23	1	172B16-68800	GUIDE ASSY,CAB HRNS		1		1		1		
24	1	172456-68810	SEAL		1		1		1		
25	1	172B16-68840	BRACKET, LIGHT		1		1		1		
26	1	172B16-68910	COVER, CAB REAR		1		1		1		
27	1	172183-81160	CLIP, TREE 9.5		2		2		2		
28	1	1E8490-84130	CLAMP, BAND		1		1		1		
29	1	22137-060000	WASHER, 6		1		1		1		
30	1	22137-120000	WASHER, 12		2		2		2		
31	1	22217-120000	WASHER, SPRING 12		8		8		8		
32	1	26013-060122	BOLT, M6X 12		1		1		1		
33	1	26013-080202	BOLT, M8X 20		2		2		2		
34	1	26013-100202	BOLT, M10X 20		1		1		1		
35	1	26013-100202	BOLT, M10X 20		2		2		2		
36	1	26013-100252	BOLT, M10X 25		2		2		2		
37	1	26013-120402	BOLT, M12X 40		2		2		2		
38	1	26076-120352	BOLT, 10.912X 35		8		8		8		
39	1	26346-100002	NUT, M10		1		1		1		

Fig.88. HYDRAULIC PUMP MOUNT

(A)=VIO25-6A P(US)  
 (B)=VIO25-6A C(US)  
 (C)=VIO25-6A P(AS)

(D)=VIO25-6A C(AS)  
 (E)=VIO25-6A P(NZ)  
 (F)=VIO25-6A C(NZ)

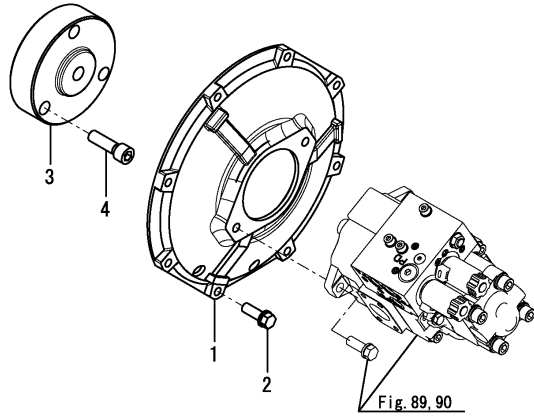
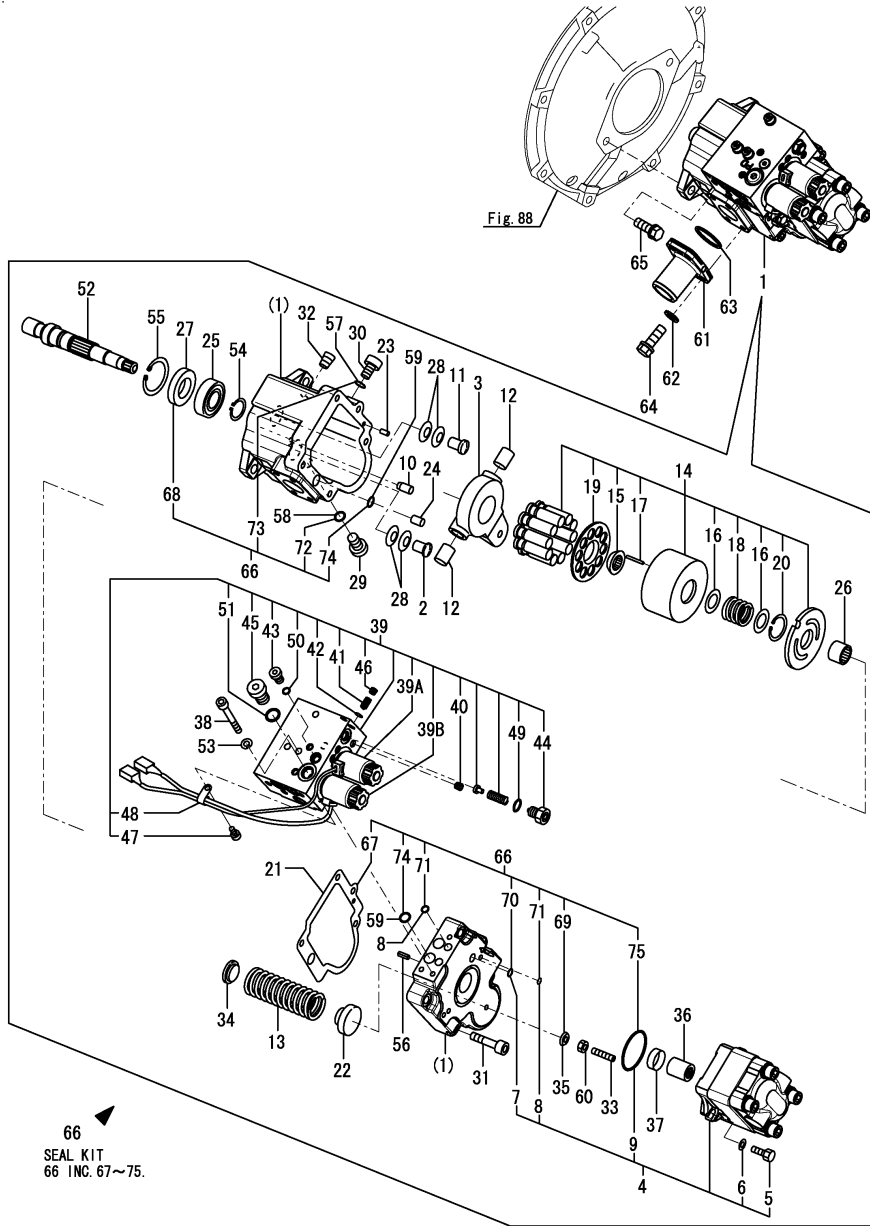


Fig. 89, 90

No.	Lev.	Parts No.	Description	Q'ty						I	R
				(A)	(B)	(C)	(D)	(E)	(F)		
1	1	172168-71101-4	COVER, FLYWHEEL	1	1	1	1	1	1		
2	1	26013-100302	BOLT, M10X 30	8	8	8	8	8	8		
3	1	172165-71200	COUPLING	1	1	1	1	1	1		
4	1	26450-120402	BOLT, M12X 40	3	3	3	3	3	3		

Fig.89. HYDRAULIC PUMP

(A)=VIO25-6A P(US) (D)=VIO25-6A C(AS)  
 (B)=VIO25-6A C(US) (E)=VIO25-6A P(NZ)  
 (C)=VIO25-6A P(AS) (F)=VIO25-6A C(NZ)



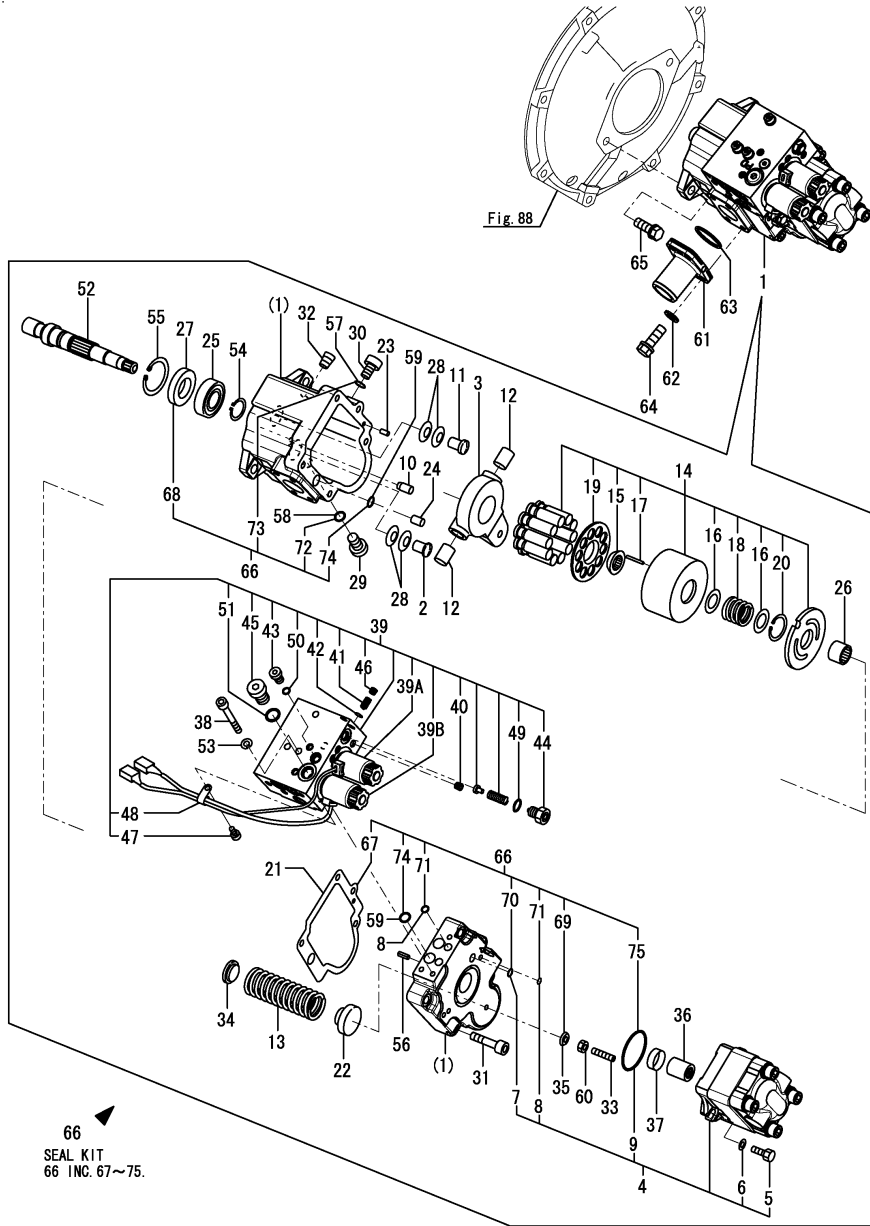
No.	Lev.	Parts No.	Description	Q'ty						I	R
				(A)	(B)	(C)	(D)	(E)	(F)		
1	1	172B16-73101	PUMP ASSY,2SOL	1	1	1					
2	2	172423-73110	PIN	1	1	1					
3	2	172B16-73130	PLATE, SWASH	1	1	1					
4	2	172A23-73140	PUMP ASSY	1	1	1					
5	3	172450-73120	BOLT	2	2	2					
6	3	172450-73130	WASHER	2	2	2					
7	3	24315-000070	O-RING, 1BP7.0	1	1	1					
8	3	24315-000080	O-RING, 1BP8.0	1	1	1					
9	3	24325-000550	O-RING, 1BG55.0	1	1	1					
10	2	172B16-73140	ROD, G	2	2	2					
11	2	172B16-73150	PIN, STOPPER A	1	1	1					
12	2	172422-73160	PIN	2	2	2					
13	2	172A23-73160	SPRING	1	1	1					
14	2	172B16-73160	BARREL KIT, CYLINDER	1	1	1					
15	3	172422-73130	HOLDER, BARREL	1	1	1					
16	3	172422-73250	RETAINER	2	2	2					
17	3	172458-73530	NEEDLE	3	3	3					
18	3	172458-73540	SPRING	1	1	1					
19	3	172458-73670	HOLDER, SHOE	1	1	1					
20	3	22252-000350	RING, 35	1	1	1					
21	2	172422-73170	GASKET	1	1	1					
22	2	172422-73210	GUIDE	1	1	1					
23	2	172422-73220	PIN	1	1	1					
24	2	172422-73280	PIN	1	1	1					
25	2	172422-73290	BEARING, BALL	1	1	1					
26	2	172422-73500	BEARING, NEEDLE	1	1	1					
27	2	172422-73510	SEAL, OIL	1	1	1					
28	2	172422-73520	SPRING	4	4	4					
29	2	172422-73530	PLUG	1	1	1					
30	2	172422-73530	PLUG	1	1	1					
31	2	172422-73540	BOLT	5	5	5					
32	2	172422-73550	PLUG	5	5	5					
33	2	172422-73560	SCREW	1	1	1					
34	2	172458-73560	HOLDER, SPRING	1	1	1					
35	2	172422-73570	WASHER	1	1	1					
36	2	172422-73580	COUPLING	1	1	1					
37	2	172422-73590	COLLAR	1	1	1					
38	2	172422-73610	BOLT	3	3	3					
39	2	172458-73620	BLOCK ASSY, VALVE	1	1	1					
39-1	2	172458-73621	BLOCK ASSY, VALVE	1	1	1					N
		(A=*2014.10.) (B=*2014.10.) (C=*2014.10.)									
39A	3	172458-73680	VALVE ASSY	1	1	1					1
39B	3	172458-73690	VALVE ASSY	1	1	1					2
40	3	172422-73550	PLUG	7	7	7					
41	3	172422-73620	SPRING	1	1	1					
42	3	172422-73630	FILTER	1	1	1					
43	3	172458-73630	PLUG	1	1	1					
44	3	172422-73640	ADJUSTER KIT	1	1	1					
45	3	172458-73640	PLUG	1	1	1					
46	3	172422-73650	PLUG	2	2	2					
47	3	172422-73660	BOLT	1	1	1					

Remarks  
 (1)For second gear traveling.  
 (2)For safety lock.

Fig.89. HYDRAULIC PUMP

(A)=VIO25-6A P(US)  
 (B)=VIO25-6A C(US)  
 (C)=VIO25-6A P(AS)

(D)=VIO25-6A C(AS)  
 (E)=VIO25-6A P(NZ)  
 (F)=VIO25-6A C(NZ)



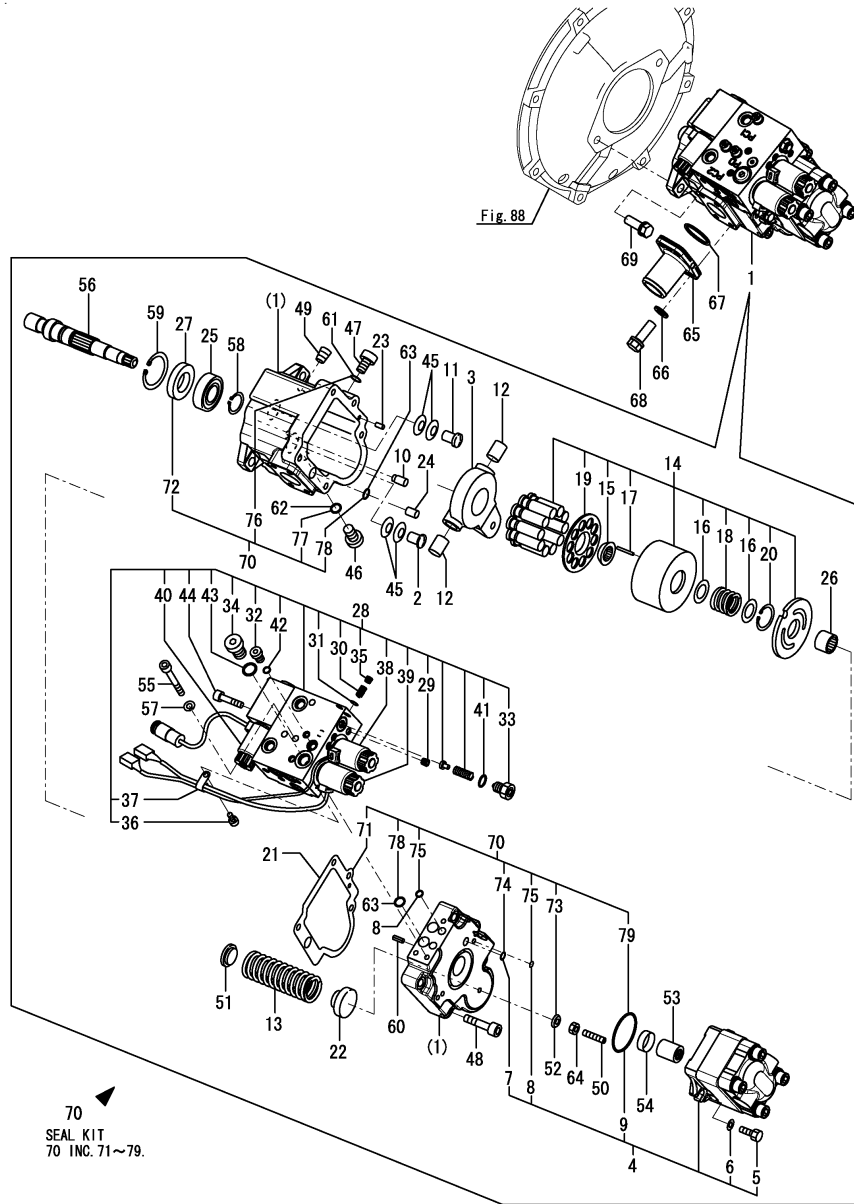
No.	Lev.	Parts No.	Description	Q'ty						I	R
				(A)	(B)	(C)	(D)	(E)	(F)		
48	3	172422-73670	CLAMP	1	1	1					
49	3	24311-000100	O-RING, 1AP10.0	1	1	1					
50	3	24315-000080	O-RING, 1BP8.0	1	1	1					
51	3	24315-000140	O-RING, 1BP14.0	1	1	1					
52	2	172458-73660	SHAFT	1	1	1					
53	2	22212-080000	WASHER 8	3	3	3					
54	2	22242-000250	RING, 25	1	1	1					
55	2	22252-000520	RING, 52	1	1	1					
56	2	22351-060016	PIN, SPRING 6.0X16	1	1	1					
57	2	24315-000110	O-RING, 1BP11.0	1	1	1					
58	2	24315-000110	O-RING, 1BP11.0	1	1	1					
59	2	24315-000120	O-RING, 1BP12.0	3	3	3					
60	2	26711-080002	NUT, M8	1	1	1					
61	1	172422-76100	FLANGE	1	1	1					
62	1	22117-100000	WASHER, 10	4	4	4					
63	1	24321-000400	O-RING, 1AG40.0	1	1	1					
64	1	26013-100302	BOLT, M10X 30	4	4	4					
65	1	26013-120352	BOLT, M12X 35	2	2	2					
66	1	172422-73700	SEAL SET, PUMP	1	1	1					
67	2	172422-73170	GASKET	1	1	1					
68	2	172422-73510	SEAL, OIL	1	1	1					
69	2	172422-73570	WASHER	1	1	1					
70	2	24315-000070	O-RING, 1BP7.0	1	1	1					
71	2	24315-000080	O-RING, 1BP8.0	2	2	2					
72	2	24315-000110	O-RING, 1BP11.0	1	1	1					
73	2	24315-000110	O-RING, 1BP11.0	1	1	1					
74	2	24315-000120	O-RING, 1BP12.0	3	3	3					
75	2	24325-000550	O-RING, 1BG55.0	1	1	1					

Remarks  
 (1)For second gear traveling.  
 (2)For safety lock.

Fig.90. HYDRAULIC PUMP(QUICK COUPLER SPEC.)

(A)=VIO25-6A P(US)  
 (B)=VIO25-6A C(US)  
 (C)=VIO25-6A P(AS)

(D)=VIO25-6A C(AS)  
 (E)=VIO25-6A P(NZ)  
 (F)=VIO25-6A C(NZ)



No.	Lev.	Parts No.	Description	Q'ty						I	R
				(A)	(B)	(C)	(D)	(E)	(F)		
1	1	172B16-73111	PUMP ASSY,3SOL	1	1	1	1	1	1		
2	2	172423-73110	PIN	1	1	1	1	1	1		
3	2	172B16-73130	PLATE, SWASH	1	1	1	1	1	1		
4	2	172A23-73140	PUMP ASSY	1	1	1	1	1	1		
5	3	172450-73120	BOLT	2	2	2	2	2	2		
6	3	172450-73130	WASHER	2	2	2	2	2	2		
7	3	24315-000070	O-RING, 1BP7.0	1	1	1	1	1	1		
8	3	24315-000080	O-RING, 1BP8.0	1	1	1	1	1	1		
9	3	24325-000550	O-RING, 1BG55.0	1	1	1	1	1	1		
10	2	172B16-73140	ROD, G	2	2	2	2	2	2		
11	2	172B16-73150	PIN, STOPPER A	1	1	1	1	1	1		
12	2	172422-73160	PIN	2	2	2	2	2	2		
13	2	172A23-73160	SPRING	1	1	1	1	1	1		
14	2	172B16-73160	BARREL KIT, CYLINDER	1	1	1	1	1	1		
15	3	172422-73130	HOLDER, BARREL	1	1	1	1	1	1		
16	3	172422-73250	RETAINER	2	2	2	2	2	2		
17	3	172458-73530	NEEDLE	3	3	3	3	3	3		
18	3	172458-73540	SPRING	1	1	1	1	1	1		
19	3	172458-73670	HOLDER, SHOE	1	1	1	1	1	1		
20	3	22252-000350	RING, 35	1	1	1	1	1	1		
21	2	172422-73170	GASKET	1	1	1	1	1	1		
22	2	172422-73210	GUIDE	1	1	1	1	1	1		
23	2	172422-73220	PIN	1	1	1	1	1	1		
24	2	172422-73280	PIN	1	1	1	1	1	1		
25	2	172422-73290	BEARING, BALL	1	1	1	1	1	1		
26	2	172422-73500	BEARING, NEEDLE	1	1	1	1	1	1		
27	2	172422-73510	SEAL, OIL	1	1	1	1	1	1		
28	2	172958-73510	BLOCK ASSY, VALVE	1	1	1	1	1	1		
28-1	2	172958-73511	BLOCK ASSY, VALVE	1	1	1	1	1	1		N
		(A=M60502)	(B=M60502)	(C=M60502)	(D=M60502)	(E=M60502)	(F=M60502)				
29	3	172422-73550	PLUG	8	8	8	8	8	8		
30	3	172422-73620	SPRING	1	1	1	1	1	1		
31	3	172422-73630	FILTER	1	1	1	1	1	1		
32	3	172458-73630	PLUG	1	1	1	1	1	1		
33	3	172422-73640	ADJUSTER KIT	1	1	1	1	1	1		
34	3	172458-73640	PLUG	1	1	1	1	1	1		
35	3	172422-73650	PLUG	2	2	2	2	2	2		
36	3	172422-73660	BOLT	1	1	1	1	1	1		
37	3	172422-73670	CLAMP	1	1	1	1	1	1		
38	3	172458-73680	VALVE ASSY	1	1	1	1	1	1		1
39	3	172458-73690	VALVE ASSY	1	1	1	1	1	1		2
40	3	172458-73790	VALVE, SOLENOID	1	1	1	1	1	1		3
41	3	24311-000110	O-RING, 1AP11.0	1	1	1	1	1	1		
42	3	24315-000080	O-RING, 1BP8.0	1	1	1	1	1	1		
43	3	24315-000140	O-RING, 1BP14.0	1	1	1	1	1	1		
44	3	26450-050452	BOLT, M5X 45	4	4	4	4	4	4		
45	2	172422-73520	SPRING	4	4	4	4	4	4		
46	2	172422-73530	PLUG	1	1	1	1	1	1		
47	2	172422-73530	PLUG	1	1	1	1	1	1		
48	2	172422-73540	BOLT	5	5	5	5	5	5		
49	2	172422-73550	PLUG	5	5	5	5	5	5		

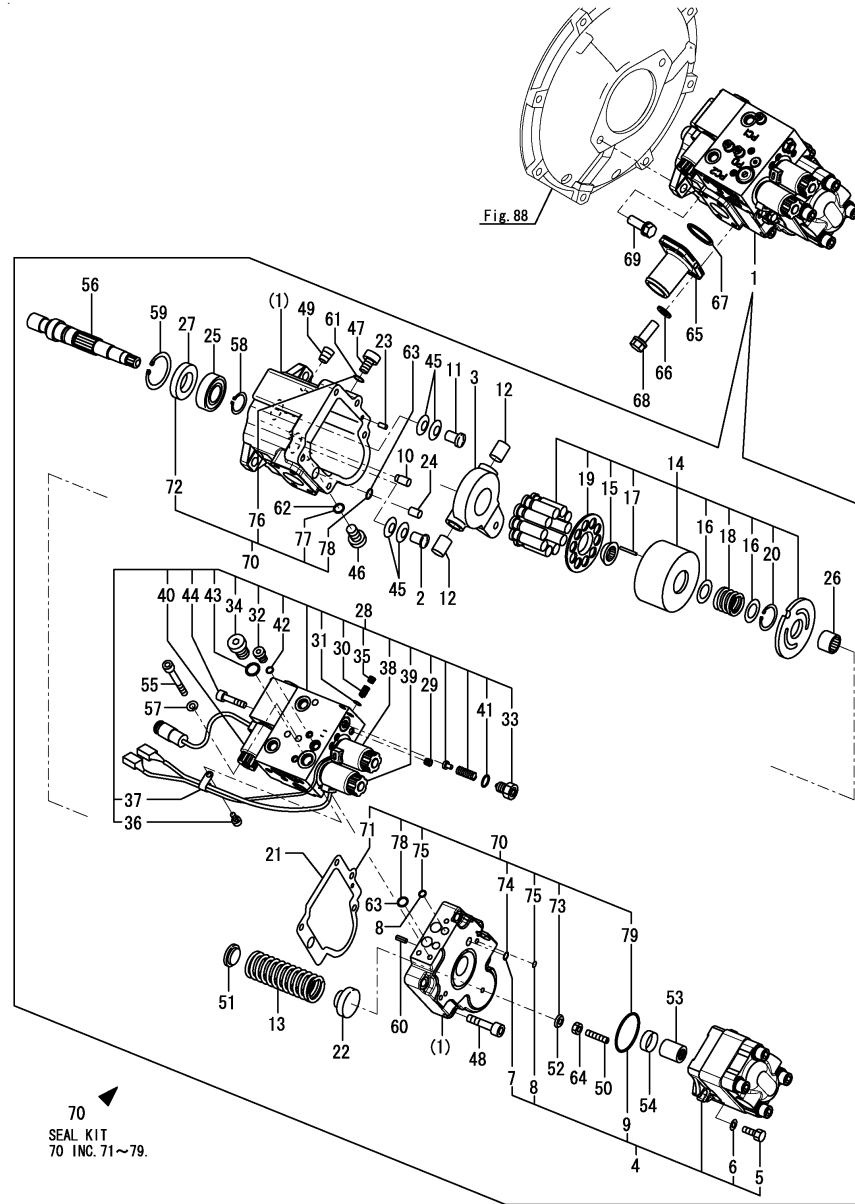
Remarks  
 (1)For second gear traveling.  
 (2)For safety lock.  
 (3)For quick coupler.



Fig.90. HYDRAULIC PUMP(QUICK COUPLER SPEC.)

(A)=VIO25-6A P(US)  
 (B)=VIO25-6A C(US)  
 (C)=VIO25-6A P(AS)

(D)=VIO25-6A C(AS)  
 (E)=VIO25-6A P(NZ)  
 (F)=VIO25-6A C(NZ)



No.	Lev.	Parts No.	Description	Q'ty						I	R
				(A)	(B)	(C)	(D)	(E)	(F)		
50	2	172422-73560	SCREW	1	1	1	1	1	1		
51	2	172458-73560	HOLDER, SPRING	1	1	1	1	1	1		
52	2	172422-73570	WASHER	1	1	1	1	1	1		
53	2	172422-73580	COUPLING	1	1	1	1	1	1		
54	2	172422-73590	COLLAR	1	1	1	1	1	1		
55	2	172422-73610	BOLT	3	3	3	3	3	3		
56	2	172458-73660	SHAFT	1	1	1	1	1	1		
57	2	22212-080000	WASHER 8	3	3	3	3	3	3		
58	2	22242-000250	RING, 25	1	1	1	1	1	1		
59	2	22252-000520	RING, 52	1	1	1	1	1	1		
60	2	22351-060016	PIN, SPRING 6.0X16	1	1	1	1	1	1		
61	2	24315-000110	O-RING, 1BP11.0	1	1	1	1	1	1		
62	2	24315-000110	O-RING, 1BP11.0	1	1	1	1	1	1		
63	2	24315-000120	O-RING, 1BP12.0	3	3	3	3	3	3		
64	2	26711-080002	NUT, M8	1	1	1	1	1	1		
65	1	172422-76100	FLANGE	1	1	1	1	1	1		
66	1	22117-100000	WASHER, 10	4	4	4	4	4	4		
67	1	24321-000400	O-RING, 1AG40.0	1	1	1	1	1	1		
68	1	26013-100302	BOLT, M10X 30	4	4	4	4	4	4		
69	1	26013-120352	BOLT, M12X 35	2	2	2	2	2	2		
70	1	172422-73700	SEAL SET, PUMP	1	1	1	1	1	1		
71	2	172422-73170	GASKET	1	1	1	1	1	1		
72	2	172422-73510	SEAL, OIL	1	1	1	1	1	1		
73	2	172422-73570	WASHER	1	1	1	1	1	1		
74	2	24315-000070	O-RING, 1BP7.0	1	1	1	1	1	1		
75	2	24315-000080	O-RING, 1BP8.0	2	2	2	2	2	2		
76	2	24315-000110	O-RING, 1BP11.0	1	1	1	1	1	1		
77	2	24315-000110	O-RING, 1BP11.0	1	1	1	1	1	1		
78	2	24315-000120	O-RING, 1BP12.0	3	3	3	3	3	3		
79	2	24325-000550	O-RING, 1BG55.0	1	1	1	1	1	1		

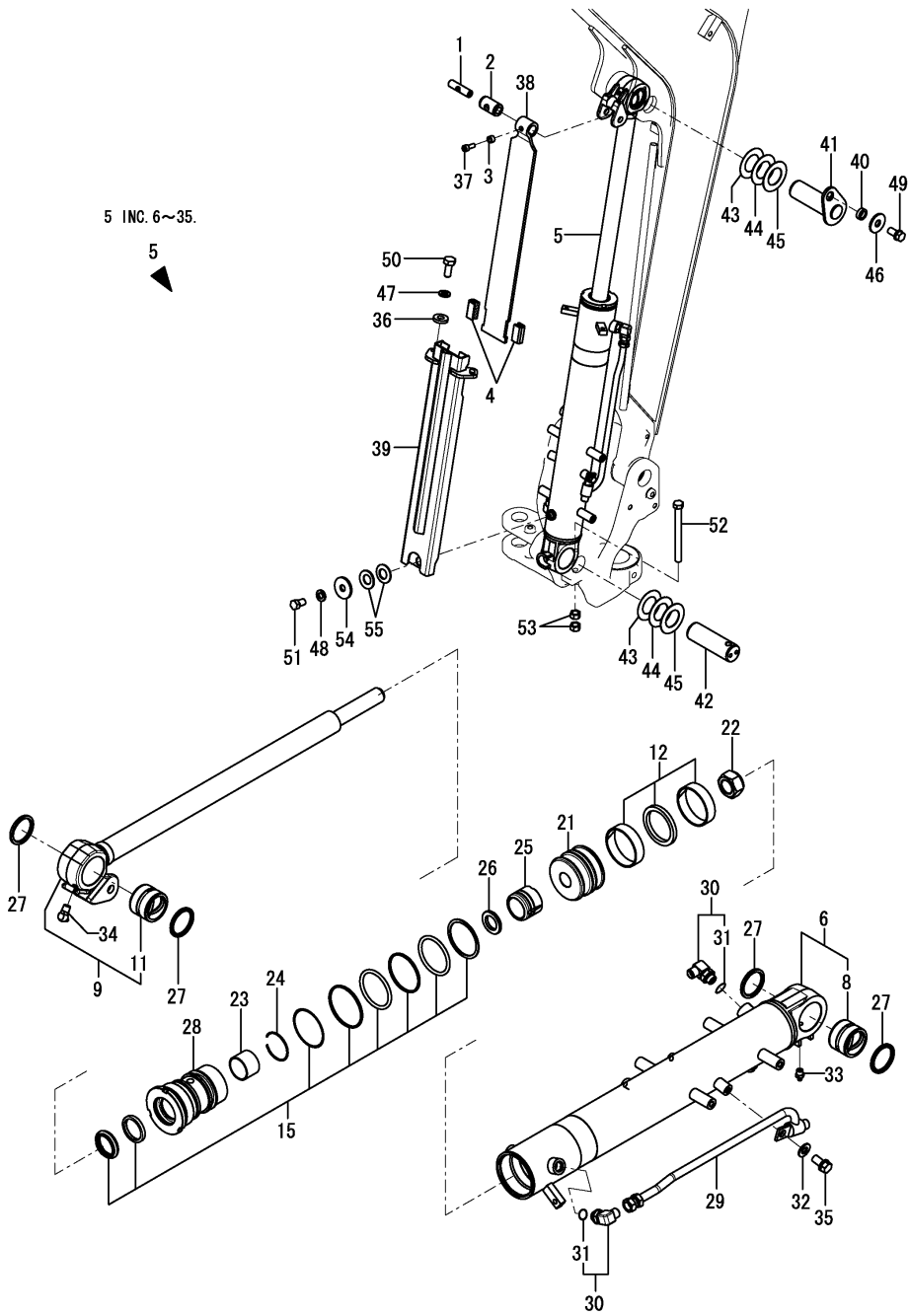
Remarks

- (1)For second gear traveling.
- (2)For safety lock.
- (3)For quick coupler.

Fig.91. BOOM CYLINDER

(A)=VIO25-6A P(US)  
 (B)=VIO25-6A C(US)  
 (C)=VIO25-6A P(AS)

(D)=VIO25-6A C(AS)  
 (E)=VIO25-6A P(NZ)  
 (F)=VIO25-6A C(NZ)

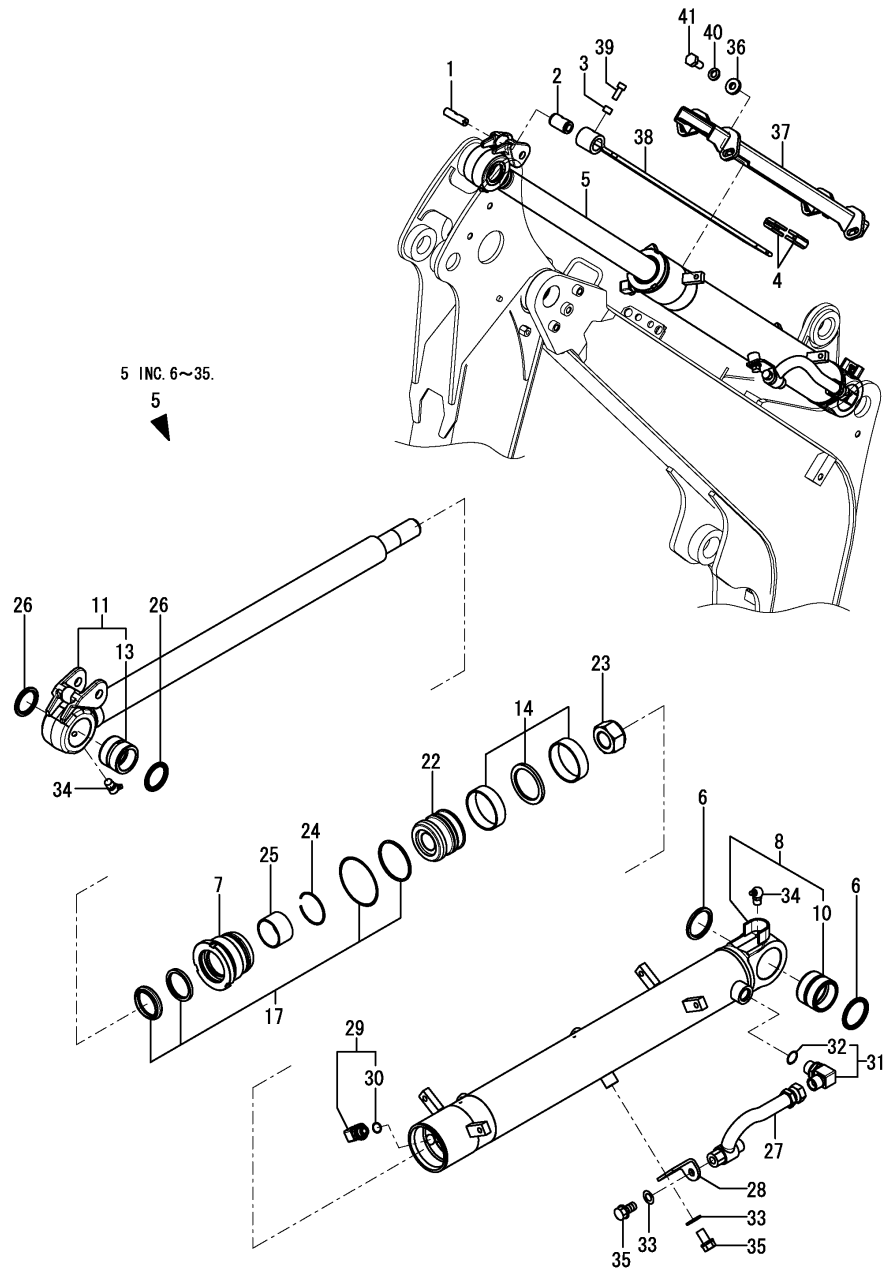


No.	Lev.	Parts No.	Description	Q'ty						I	R
				(A)	(B)	(C)	(D)	(E)	(F)		
1	1	172A23-72043	SHAFT	1	1	1	1	1	1		
2	1	172A23-72052	GROMMET	1	1	1	1	1	1		
3	1	172A46-72070	SPACER	1	1	1	1	1	1		
4	1	172A23-72081	GUIDE, SLIDE	2	2	2	2	2	2		
5	1	172B16-72250	CYLINDER ASSY,BM C	1	1	1	1	1	1		
6	2	172B16-72010	REPAIR KIT, TUBE AS	1	1	1	1	1	1		
8	3	172B16-72070	BUSH, PIN 45	1	1	1	1	1	1		
9	2	172B16-72020	REPAIR KIT, ROD AS	1	1	1	1	1	1		
11	3	172B16-72070	BUSH, PIN 45	1	1	1	1	1	1		
12	2	172B16-72030	SEAL KIT, PISTON	1	1	1	1	1	1		
15	2	172B16-72040	SEAL KIT, HEAD	1	1	1	1	1	1		
21	2	172B16-72080	PISTON	1	1	1	1	1	1		
22	2	172B16-72090	NUT, LOCK	1	1	1	1	1	1		
23	2	172B16-72140	SLEEVE	1	1	1	1	1	1		
24	2	172B16-72150	RING, RETAINING	1	1	1	1	1	1		
25	2	172B16-72200	PLUNGER, CUSHION	1	1	1	1	1	1		
26	2	172B16-72210	SEAL, CUSHION	1	1	1	1	1	1		
27	2	172B16-72240	SEAL, DUST PIN 45	4	4	4	4	4	4		
28	2	172B16-72260	HEAD	1	1	1	1	1	1		
29	2	172B16-72280	PIPE ASSY	1	1	1	1	1	1		
30	2	172142-76181	JOINT ASSY	2	2	2	2	2	2		
31	3	24315-000140	O-RING, 1BP14.0	2	2	2	2	2	2		
32	2	22137-100000	WASHER, 10	1	1	1	1	1	1		
33	2	24761-020000	NIPPLE, GREASE PT1/8	1	1	1	1	1	1		
34	2	24761-040000	NIPPLE, GREASE B	1	1	1	1	1	1		
35	2	26076-100162	BOLT, 10 X 16	1	1	1	1	1	1		
36	1	172A79-72570	WASHER	2	2	2	2	2	2		
37	1	172A47-72840	BOLT	1	1	1	1	1	1		
38	1	172A24-72951-N	PLATE, SLIDE	1	1	1	1	1	1		
39	1	172B16-72960	GUIDE ASSY, 608.5	1	1	1	1	1	1		
40	1	172164-81670	SPACER	1	1	1	1	1	1		
41	1	172B16-81840	PIN ASSY,45X134	1	1	1	1	1	1		
42	1	172B16-82210	PIN,45X141	1	1	1	1	1	1		
43	1	172165-82550	SHIM	2	2	2	2	2	2		
44	1	172165-82560	SHIM	2	2	2	2	2	2		
45	1	172165-82570	SHIM	2	2	2	2	2	2		
46	1	22157-120000	WASHER, 12	1	1	1	1	1	1		
47	1	22217-100000	WASHER, SPRING 10	2	2	2	2	2	2		
48	1	22217-100000	WASHER, SPRING 10	1	1	1	1	1	1		
49	1	26013-120252	BOLT, M12X 25	1	1	1	1	1	1		
50	1	26076-100252	BOLT, 10.910X 25	2	2	2	2	2	2		
51	1	26116-100162	BOLT, M10X 16 PLATED	1	1	1	1	1	1		
52	1	26116-121302	BOLT, M12X130 PLATED	1	1	1	1	1	1		
53	1	26716-120002	NUT, M12	2	2	2	2	2	2		
54	1	933147-03400	WASHER, BRAKE ARM	1	1	1	1	1	1		
55	1	933168-14170	SPRING	2	2	2	2	2	2		

Fig.92. ARM CYLINDER

(A)=VIO25-6A P(US)  
 (B)=VIO25-6A C(US)  
 (C)=VIO25-6A P(AS)

(D)=VIO25-6A C(AS)  
 (E)=VIO25-6A P(NZ)  
 (F)=VIO25-6A C(NZ)

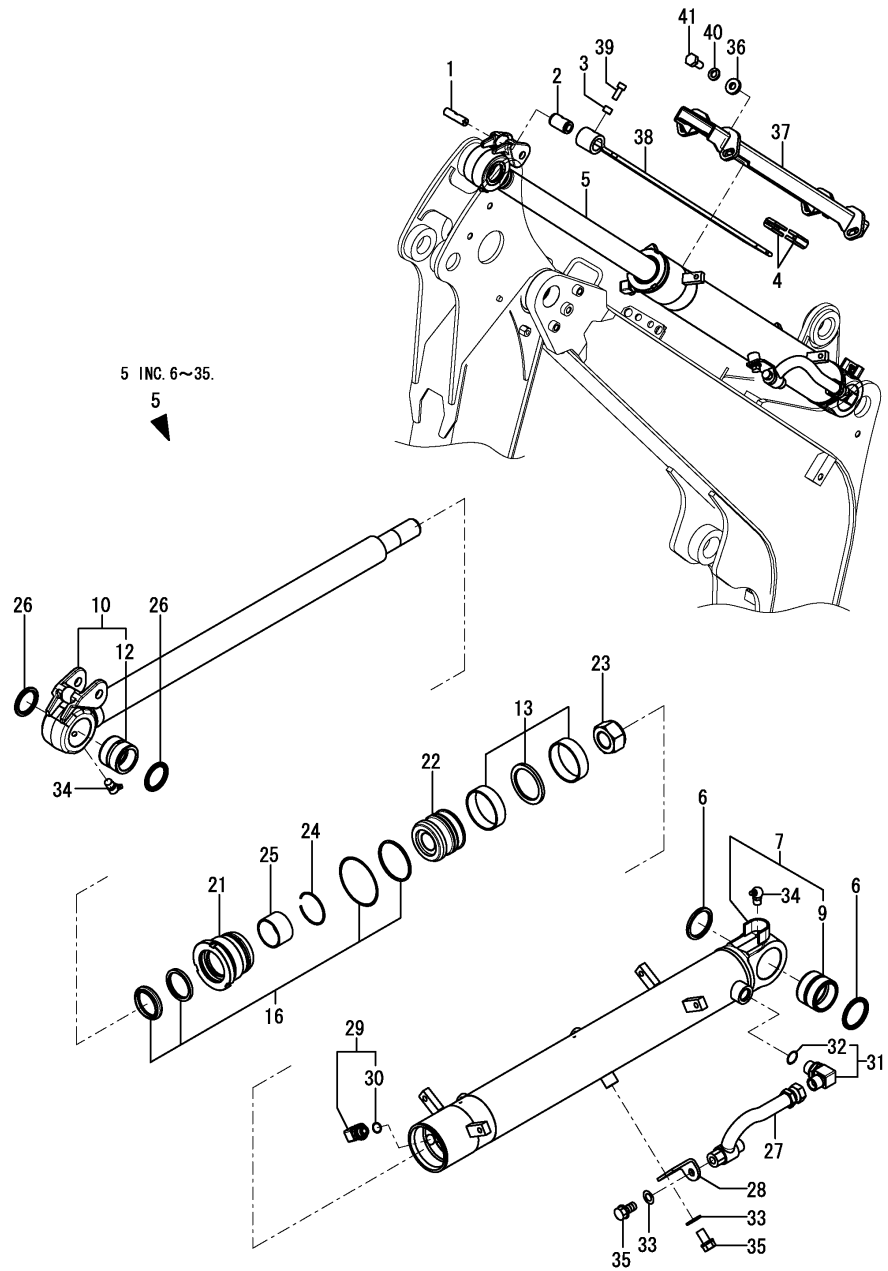


No.	Lev.	Parts No.	Description	Q'ty						I	R
				(A)	(B)	(C)	(D)	(E)	(F)		
1	1	172A23-72043	SHAFT	1	1	1					
2	1	172A23-72052	GROMMET	1	1	1					
3	1	172A46-72070	SPACER	1	1	1					
4	1	172A23-72081	GUIDE, SLIDE	2	2	2					
5	1	172B16-72301	CYLINDER ASSY, ARM	1	1	1					
5-1	1	172B16-72302	CYLINDER ASSY, ARM	1	1	1					N
		(A=*2015.01)	(B=*2015.01)	(C=*2015.01)							
6	2	172B16-72240	SEAL, DUST PIN 45	2	2	2					
7	2	172B16-72310	HEAD	1	1	1					
8	2	172B16-72320	REPAIR KIT, TUBE AS	1	1	1					
10	3	172B16-72410	BUSH, PIN 45	1	1	1					
11	2	172B16-72330	REPAIR KIT, ROD AS	1	1	1					
13	3	172B16-72400	BUSH, PIN 38	1	1	1					
14	2	172B16-72340	SEAL KIT, PISTON	1	1	1					
17	2	172B16-72350	SEAL KIT, HEAD	1	1	1					
17-1	2	172B16-71340	SEAL KIT, HEAD	1	1	1					N
		(A=*2015.01)	(B=*2015.01)	(C=*2015.01)							
22	2	172B16-72420	PISTON	1	1	1					
23	2	172B16-72430	NUT, LOCK	1	1	1					
24	2	172B16-72460	CLIP	1	1	1					
25	2	172B16-72470	SLEEVE	1	1	1					
26	2	172B16-72540	SEAL, DUST PIN 38	2	2	2					
27	2	172B16-73430	PIPE ASSY, ARM	1	1	1					
28	2	172B16-73450	STAY, ARM CYL	1	1	1					
29	2	172142-76181	JOINT ASSY	1	1	1					
30	3	24315-000140	O-RING, 1BP14.0	1	1	1					
31	2	172141-76900	CONNECTOR ASSY	1	1	1					
32	3	24315-000180	O-RING, 1BP18.0	1	1	1					
33	2	22137-100000	WASHER, 10	2	2	2					
34	2	24761-040000	NIPPLE, GREASE B	2	2	2					
35	2	26076-100162	BOLT, 10 X 16	2	2	2					
36	1	172A79-72570	WASHER	4	4	4					
37	1	172B16-72800	GUIDE ASSY, 612	1	1	1					
38	1	172B16-72830	PLATE, SLIDE 665	1	1	1					
39	1	172A47-72840	BOLT	1	1	1					
40	1	22217-100000	WASHER, SPRING 10	4	4	4					
41	1	26076-100252	BOLT, 10.910X 25	4	4	4					

Fig.93. ARM CYLINDER(QUICK COUPLER SPEC.)

(A)=VIO25-6A P(US)  
 (B)=VIO25-6A C(US)  
 (C)=VIO25-6A P(AS)

(D)=VIO25-6A C(AS)  
 (E)=VIO25-6A P(NZ)  
 (F)=VIO25-6A C(NZ)

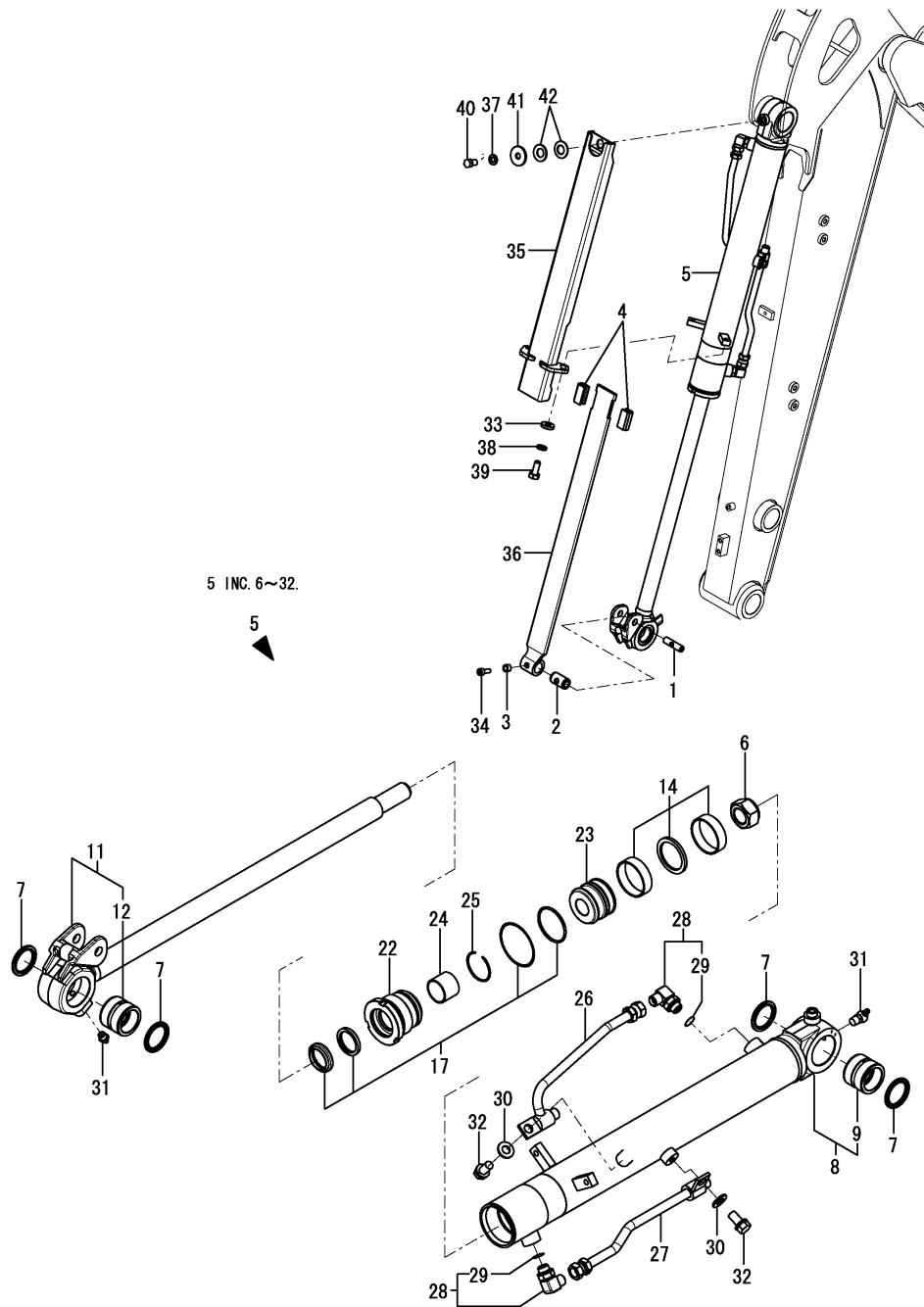


No.	Lev.	Parts No.	Description	Q'ty						I	R
				(A)	(B)	(C)	(D)	(E)	(F)		
1	1	172A23-72043	SHAFT	1	1	1	1	1	1		
2	1	172A23-72052	GROMMET	1	1	1	1	1	1		
3	1	172A46-72070	SPACER	1	1	1	1	1	1		
4	1	172A23-72081	GUIDE, SLIDE	2	2	2	2	2	2		
5	1	172B16-72361	CYLINDER ASSY, ARM Q	1	1	1	1	1	1		
5-1	1	172B16-72362	CYLINDER ASSY, ARM Q	1	1	1	1	1	1		N
		(A=*2015.01)	(B=*2015.01)	(C=*2015.01)	(D=*2015.01)	(E=*2015.01)	(F=*2015.01)				
6	2	172B16-72240	SEAL, DUST PIN 45	2	2	2	2	2	2		
7	2	172B16-72320	REPAIR KIT, TUBE AS	1	1	1	1	1	1		
9	3	172B16-72410	BUSH, PIN 45	1	1	1	1	1	1		
10	2	172B16-72330	REPAIR KIT, ROD AS	1	1	1	1	1	1		
12	3	172B16-72400	BUSH, PIN 38	1	1	1	1	1	1		
13	2	172B16-72340	SEAL KIT, PISTON	1	1	1	1	1	1		
16	2	172B16-72350	SEAL KIT, HEAD	1	1	1	1	1	1		
16-1	2	172B16-71340	SEAL KIT, HEAD	1	1	1	1	1	1		N
		(A=*2015.01)	(B=*2015.01)	(C=*2015.01)	(D=*2015.01)	(E=*2015.01)	(F=*2015.01)				
21	2	172B16-72370	HEAD	1	1	1	1	1	1		
22	2	172B16-72420	PISTON	1	1	1	1	1	1		
23	2	172B16-72430	NUT, LOCK	1	1	1	1	1	1		
24	2	172B16-72460	CLIP	1	1	1	1	1	1		
25	2	172B16-72470	SLEEVE	1	1	1	1	1	1		
26	2	172B16-72540	SEAL, DUST PIN 38	2	2	2	2	2	2		
27	2	172B16-73430	PIPE ASSY, ARM	1	1	1	1	1	1		
28	2	172B16-73450	STAY, ARM CYL	1	1	1	1	1	1		
29	2	172142-76181	JOINT ASSY	1	1	1	1	1	1		
30	3	24315-000140	O-RING, 1BP14.0	1	1	1	1	1	1		
31	2	172141-76900	CONNECTOR ASSY	1	1	1	1	1	1		
32	3	24315-000180	O-RING, 1BP18.0	1	1	1	1	1	1		
33	2	22137-100000	WASHER, 10	2	2	2	2	2	2		
34	2	24761-040000	NIPPLE, GREASE B	2	2	2	2	2	2		
35	2	26076-100162	BOLT, 10 X 16	2	2	2	2	2	2		
36	1	172A79-72570	WASHER	4	4	4	4	4	4		
37	1	172B16-72800	GUIDE ASSY, 612	1	1	1	1	1	1		
38	1	172B16-72830	PLATE, SLIDE 665	1	1	1	1	1	1		
39	1	172A47-72840	BOLT	1	1	1	1	1	1		
40	1	22217-100000	WASHER, SPRING 10	4	4	4	4	4	4		
41	1	26076-100252	BOLT, 10.910X 25	4	4	4	4	4	4		

Fig.94. BUCKET CYLINDER

(A)=VIO25-6A P(US)  
 (B)=VIO25-6A C(US)  
 (C)=VIO25-6A P(AS)

(D)=VIO25-6A C(AS)  
 (E)=VIO25-6A P(NZ)  
 (F)=VIO25-6A C(NZ)

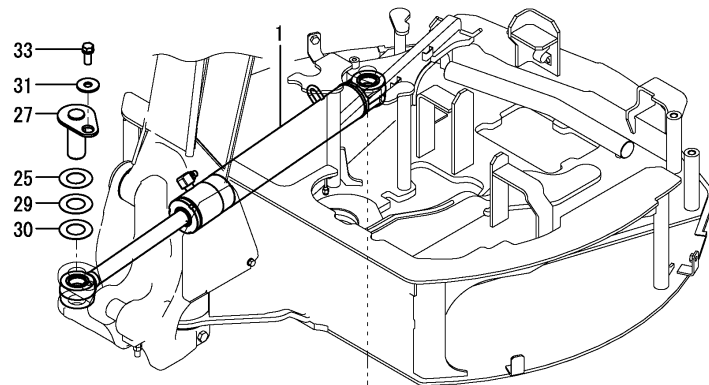


No.	Lev.	Parts No.	Description	Q'ty						I	R
				(A)	(B)	(C)	(D)	(E)	(F)		
1	1	172A23-72043	SHAFT	1	1	1	1	1	1		
2	1	172A23-72052	GROMMET	1	1	1	1	1	1		
3	1	172A46-72070	SPACER	1	1	1	1	1	1		
4	1	172A23-72081	GUIDE, SLIDE	2	2	2	2	2	2		
5	1	172B16-72500	CYLINDER ASSY, BUCKET	1	1	1	1	1	1		
6	2	172B16-72090	NUT, LOCK	1	1	1	1	1	1		
7	2	172B16-72540	SEAL, DUST PIN 38	4	4	4	4	4	4		
8	2	172B16-72550	REPAIR KIT, TUBE AS	1	1	1	1	1	1		
9	3	172B16-72400	BUSH, PIN 38	1	1	1	1	1	1		
11	2	172B16-72560	REPAIR KIT, ROD AS	1	1	1	1	1	1		
12	3	172B16-72400	BUSH, PIN 38	1	1	1	1	1	1		
14	2	172B16-72570	SEAL KIT, PISTON	1	1	1	1	1	1		
17	2	172B16-72580	SEAL KIT, HEAD	1	1	1	1	1	1		
22	2	172B16-72610	HEAD	1	1	1	1	1	1		
23	2	172B16-72620	PISTON	1	1	1	1	1	1		
24	2	172B16-72680	SLEEVE	1	1	1	1	1	1		
25	2	172B16-72690	RING, RETAINING	1	1	1	1	1	1		
26	2	172B16-72720	PIPE ASSY	1	1	1	1	1	1		
27	2	172B16-72730	PIPE ASSY	1	1	1	1	1	1		
28	2	172142-76181	JOINT ASSY	2	2	2	2	2	2		
29	3	24315-000140	O-RING, 1BP14.0	2	2	2	2	2	2		
30	2	22137-100000	WASHER, 10	2	2	2	2	2	2		
31	2	24761-040000	NIPPLE, GREASE B	2	2	2	2	2	2		
32	2	26076-100162	BOLT, 10 X 16	2	2	2	2	2	2		
33	1	172A79-72570	WASHER	2	2	2	2	2	2		
34	1	172A47-72840	BOLT	1	1	1	1	1	1		
35	1	172B16-72900	GUIDE ASSY, 655	1	1	1	1	1	1		
36	1	172B16-72930	PLATE, SLIDE 700	1	1	1	1	1	1		
37	1	22217-100000	WASHER, SPRING 10	1	1	1	1	1	1		
38	1	22217-100000	WASHER, SPRING 10	2	2	2	2	2	2		
39	1	26076-100252	BOLT, 10.910X 25	2	2	2	2	2	2		
40	1	26116-100162	BOLT, M10X 16 PLATED	1	1	1	1	1	1		
41	1	933147-03400	WASHER, BRAKE ARM	1	1	1	1	1	1		
42	1	933168-14170	SPRING	2	2	2	2	2	2		

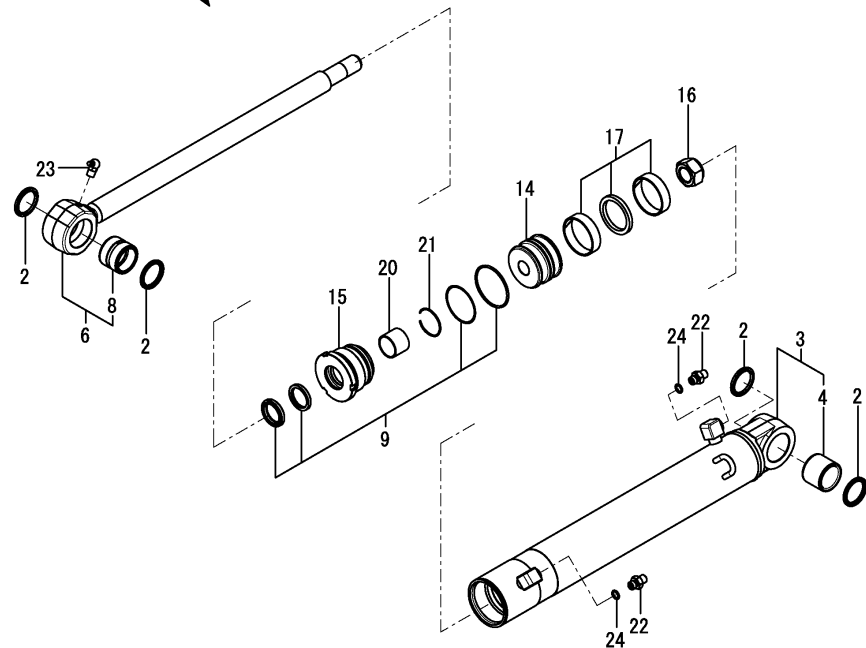
Fig.95. SWING CYLINDER

(A)=VIO25-6A P(US)  
 (B)=VIO25-6A C(US)  
 (C)=VIO25-6A P(AS)

(D)=VIO25-6A C(AS)  
 (E)=VIO25-6A P(NZ)  
 (F)=VIO25-6A C(NZ)



1 INC. 2~24.

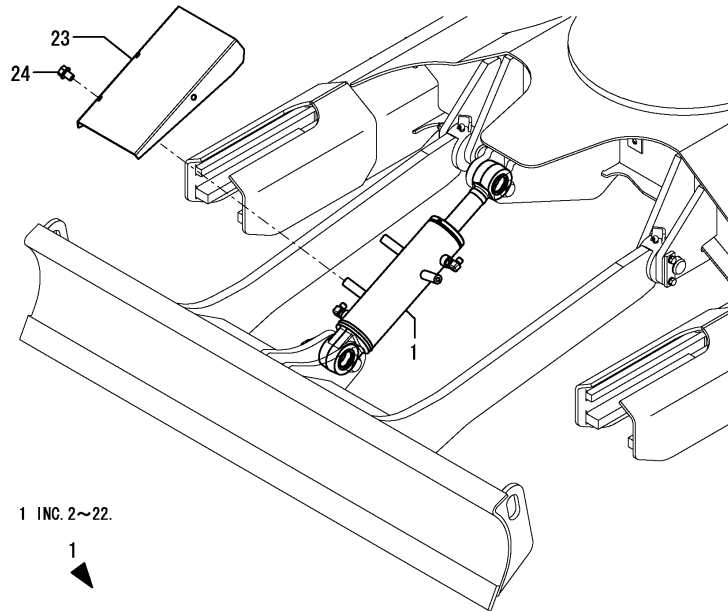


No.	Lev.	Parts No.	Description	Q'ty						I	R
				(A)	(B)	(C)	(D)	(E)	(F)		
1	1	172B16-72700	CYLINDER ASSY, SWING	1	1	1	1	1	1		
2	2	172B16-71200	SEAL, DUST PIN 40	4	4	4	4	4	4		
3	2	172B16-71250	REPAIR KIT, TUBE AS	1	1	1	1	1	1		
4	3	172B16-71230	BUSH, PIN 40	1	1	1	1	1	1		
6	2	172B16-71260	REPAIR KIT, ROD AS	1	1	1	1	1	1		
8	3	172B16-72860	BUSH, PIN 40	1	1	1	1	1	1		
9	2	172B16-71280	SEAL KIT, HEAD	1	1	1	1	1	1		
14	2	172B16-71310	PISTON	1	1	1	1	1	1		
15	2	172B16-71320	HEAD	1	1	1	1	1	1		
16	2	172B16-72090	NUT, LOCK	1	1	1	1	1	1		
17	2	172B16-72340	SEAL KIT, PISTON	1	1	1	1	1	1		
20	2	172B16-72680	SLEEVE	1	1	1	1	1	1		
21	2	172B16-72690	RING, RETAINING	1	1	1	1	1	1		
22	2	172123-76121	ADAPTER	2	2	2	2	2	2		
23	2	24761-050000	NIPPLE, GREASE C	1	1	1	1	1	1		
24	2	41851-000110	O-RING	2	2	2	2	2	2		
25	1	172A25-81900	SHIM	2	2	2	2	2	2		
26	1	172B16-81920	PIN,40X108	1	1	1	1	1	1		
27	1	172B16-81950	PIN ASSY, 40X103	1	1	1	1	1	1		
28	1	172456-82400-3	PLATE, LOCK	1	1	1	1	1	1		
29	1	172165-82580	SHIM	2	2	2	2	2	2		
30	1	172165-82590	SHIM	2	2	2	2	2	2		
31	1	22157-120000	WASHER, 12	1	1	1	1	1	1		
32	1	26013-100202	BOLT, M10X 20	2	2	2	2	2	2		
33	1	26013-120302	BOLT, M12X 30	1	1	1	1	1	1		

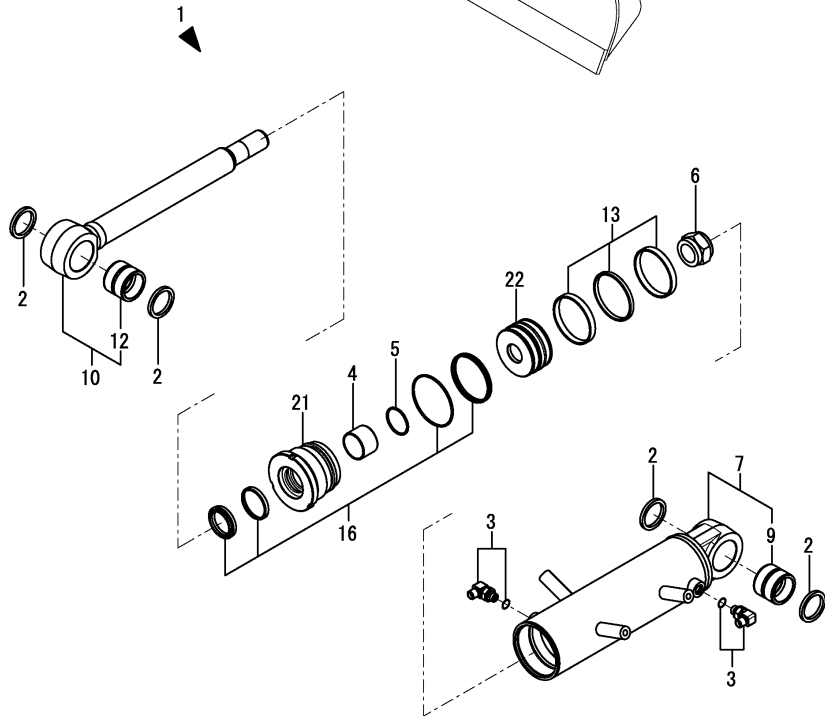
Fig.96. BLADE CYLINDER

(A)=VIO25-6A P(US)  
 (B)=VIO25-6A C(US)  
 (C)=VIO25-6A P(AS)

(D)=VIO25-6A C(AS)  
 (E)=VIO25-6A P(NZ)  
 (F)=VIO25-6A C(NZ)



1 INC. 2~22.

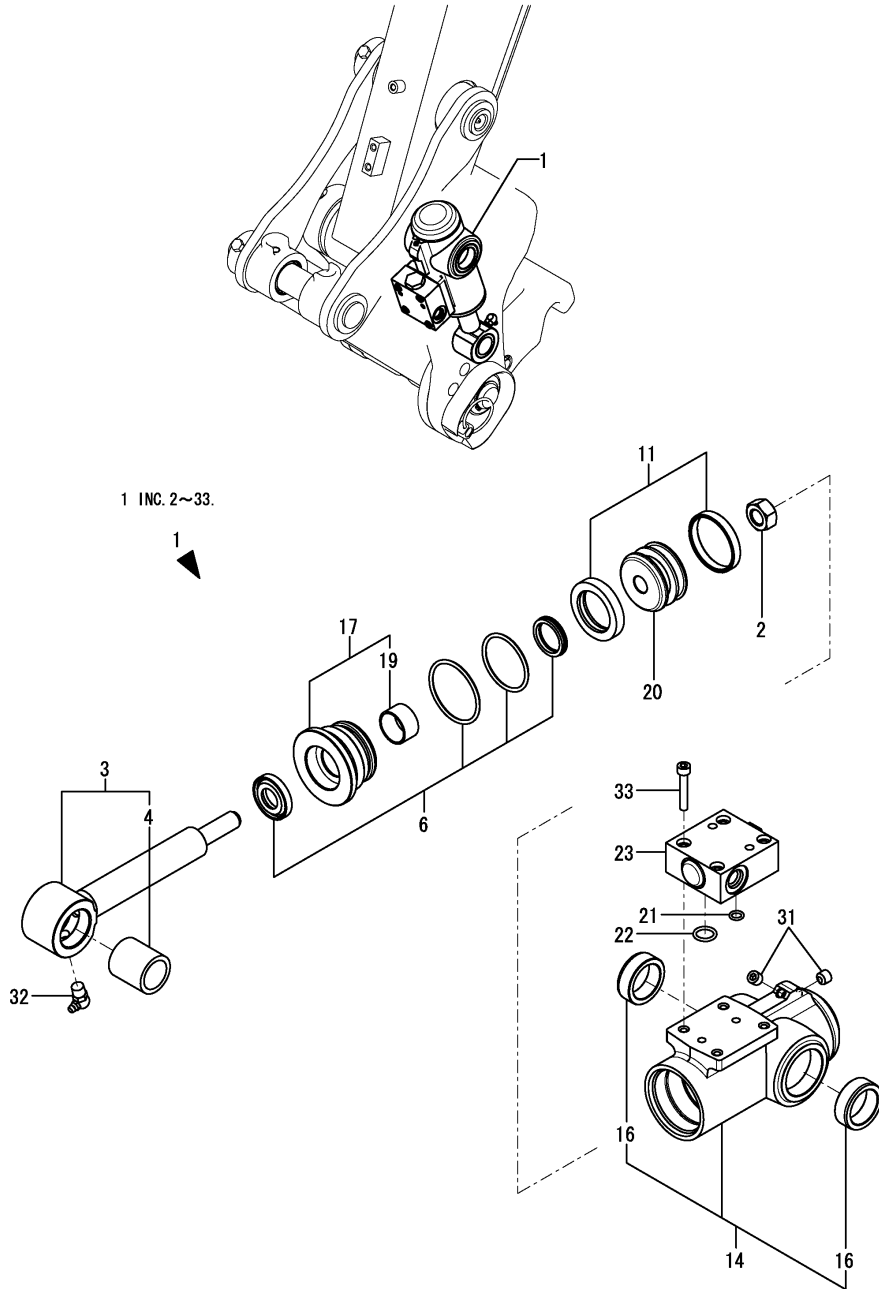


No.	Lev.	Parts No.	Description	Q'ty						I	R
				(A)	(B)	(C)	(D)	(E)	(F)		
1	1	172B16-72650	CYLINDER ASSY, BLADE	1	1	1	1	1	1		
2	2	172B16-71200	SEAL, DUST PIN 40	4	4	4	4	4	4		
3	2	172B16-71210	ELBOW ASSY, 90 G1/4	2	2	2	2	2	2		
4	2	172B16-72140	SLEEVE	1	1	1	1	1	1		
5	2	172B16-72150	RING, RETAINING	1	1	1	1	1	1		
6	2	172B16-72430	NUT, LOCK	1	1	1	1	1	1		
7	2	172B16-72750	REPAIR KIT, TUBE AS	1	1	1	1	1	1		
9	3	172B16-72860	BUSH, PIN 40	1	1	1	1	1	1		
10	2	172B16-72760	REPAIR KIT, ROD AS	1	1	1	1	1	1		
12	3	172B16-72860	BUSH, PIN 40	1	1	1	1	1	1		
13	2	172B16-72770	SEAL KIT, PISTON	1	1	1	1	1	1		
16	2	172B16-72780	SEAL KIT, HEAD	1	1	1	1	1	1		
21	2	172B16-72870	HEAD	1	1	1	1	1	1		
22	2	172B16-72880	PISTON	1	1	1	1	1	1		
23	1	172B03-72900	COVER ASSY, BLADE	1	1	1	1	1	1		
24	1	26106-100122	BOLT, M10X 12 PLATED	3	3	3	3	3	3		

Fig.97. HITCH CYLINDER

(A)=VIO25-6A P(US)  
 (B)=VIO25-6A C(US)  
 (C)=VIO25-6A P(AS)

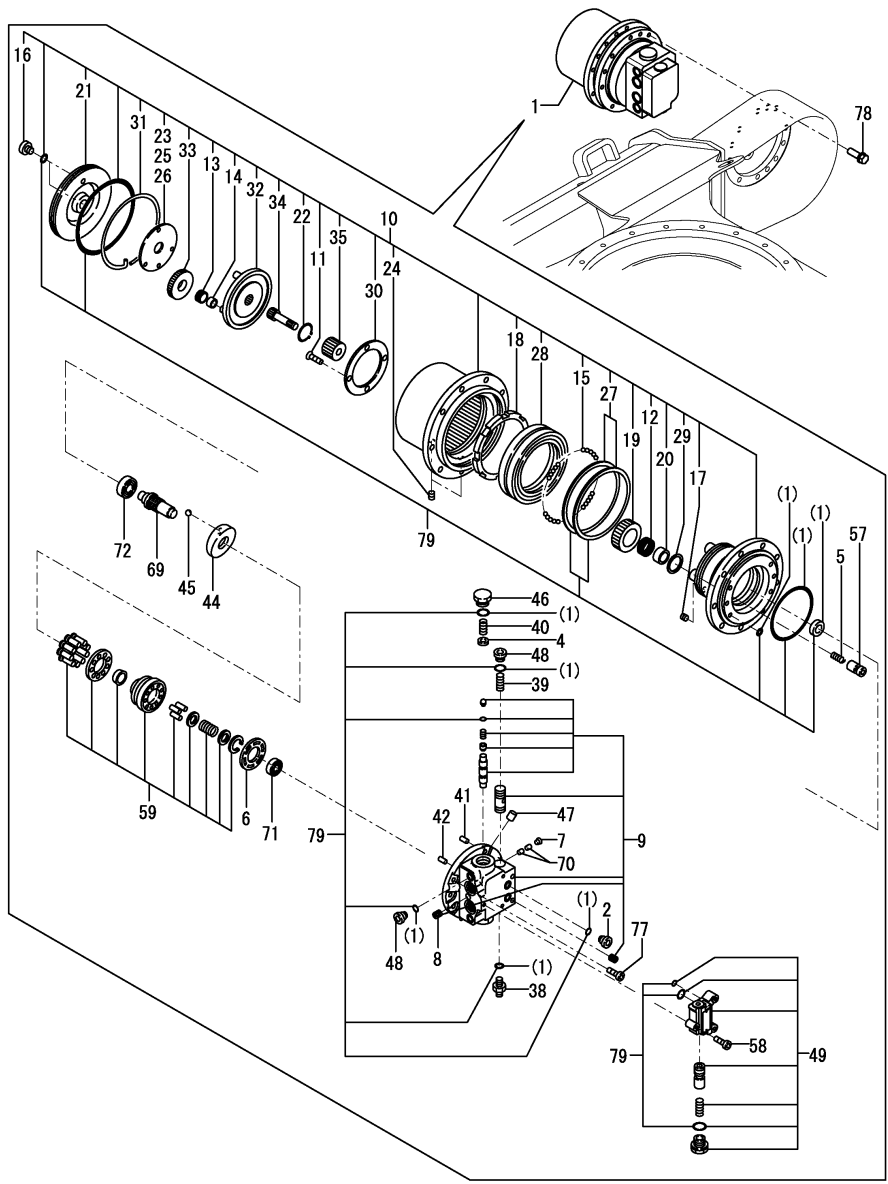
(D)=VIO25-6A C(AS)  
 (E)=VIO25-6A P(NZ)  
 (F)=VIO25-6A C(NZ)



No.	Lev.	Parts No.	Description	Q'ty						I	R
				(A)	(B)	(C)	(D)	(E)	(F)		
1	1	172958-72801-N	CYLINDER ASSY, HITCH	1	1			1	1		
2	2	172156-72400	NUT	1	1			1	1		
3	2	172958-72750	ROD ASSY, HITCH	1	1			1	1		
4	3	172156-72770	BUSH, PIN	1	1			1	1		
6	2	172958-72760	SEAL SET, HEAD	1	1			1	1		
11	2	172958-72770	SEAL SET, PISTON	1	1			1	1		
14	2	172958-72811-N	TUBE, HITCH	1	1			1	1		
16	3	172958-72970	BUSH	2	2			2	2		
17	2	172958-72860	HEAD ASSY	1	1			1	1		
19	3	24550-025150	BUSH, 25X15	1	1			1	1		
20	2	172958-72890	PISTON	1	1			1	1		
21	2	172958-72950	O-RING	1	1			1	1		
22	2	172958-72960	O-RING	1	1			1	1		
23	2	172958-72983-N	VALVE ASSY, OPERATE	1	1			1	1		
31	2	23871-005000	PLUG, R005	2	2			2	2		
32	2	24761-050000	NIPPLE, GREASE C	1	1			1	1		
33	2	26450-060302	BOLT, M6X 30	4	4			4	4		



Fig.98. TRAVEL MOTOR



(A)=VIO25-6A P(US)  
 (B)=VIO25-6A C(US)  
 (C)=VIO25-6A P(AS)  
 (D)=VIO25-6A C(AS)  
 (E)=VIO25-6A P(NZ)  
 (F)=VIO25-6A C(NZ)

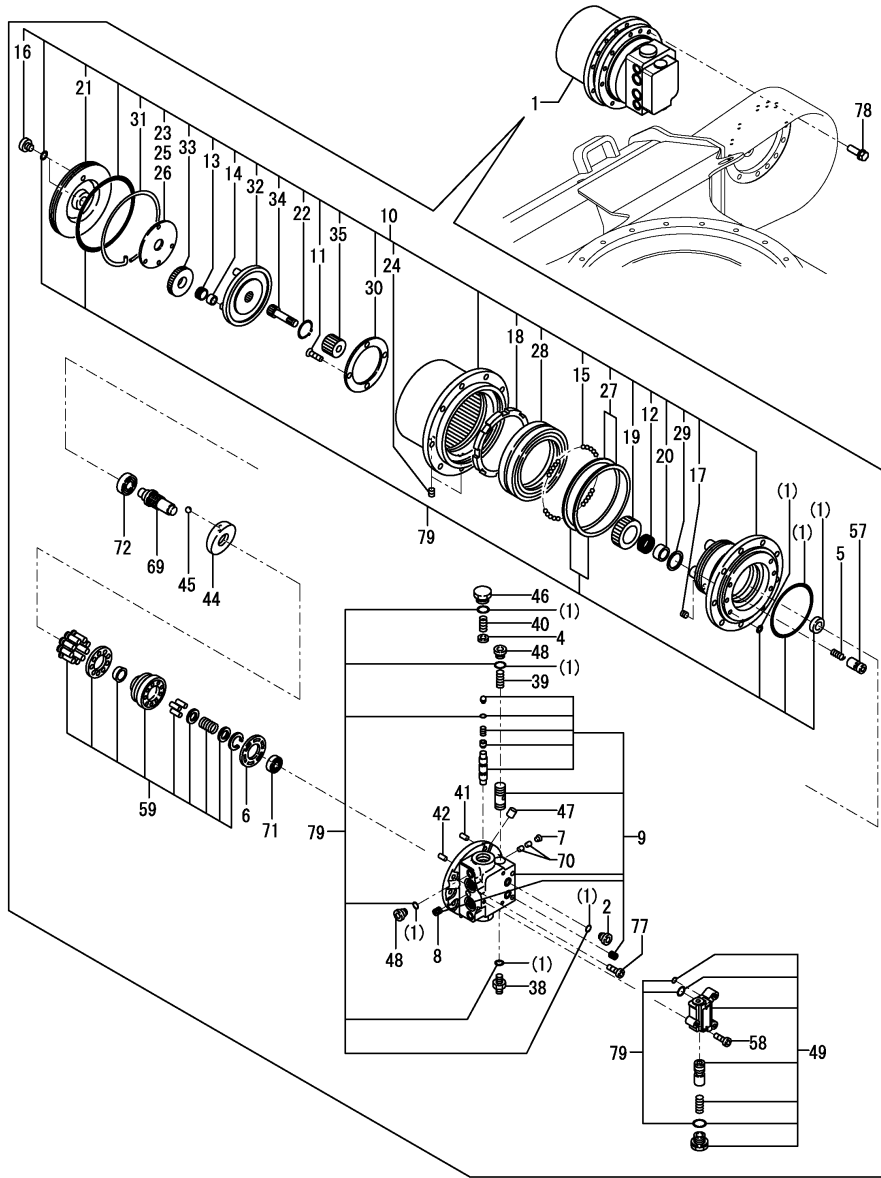
No.	Lev.	Parts No.	Description	Q'ty						I	R
				(A)	(B)	(C)	(D)	(E)	(F)		
1	1	172B16-73300	MOTOR ASSY, TRAVEL	2	2	2	2	2	2		
2	2	1A6240-37360	PLUG	4	4	4	4	4	4		
4	2	172141-70450	SEAT, SPRING	4	4	4	4	4	4		
5	2	172168-71951	SPRING	4	4	4	4	4	4		
6	2	172638-73330	PLATE, VALVE	2	2	2	2	2	2		
7	2	172B03-73330	PLUG	4	4	4	4	4	4		
8	2	172B03-73340	PLUG, M10X1.5	2	2	2	2	2	2		
9	2	172B16-73360	REPAIR KIT, BASE P	2	2	2	2	2	2		
10	2	172B16-73370	GEAR ASSY, REDUCTION	2	2	2	2	2	2		
11	3	172141-70110	SCREW	8	8	8	8	8	8		
12	3	172147-70120	GAUGE ASSY	8	8	8	8	8	8		
13	3	172141-70150	GAUGE, W/ROLLER	6	6	6	6	6	6		
14	3	172141-70160	RACE, INNER	6	6	6	6	6	6		
15	3	172122-70350	BALL, STEEL	218	218	218	218	218	218		
16	3	172147-70500	PLUG	4	4	4	4	4	4		
17	3	172450-73330	PLUG	4	4	4	4	4	4		
18	3	172456-73351	NUT, RING	2	2	2	2	2	2		
19	3	172456-73360	GEAR, PLANETARY	8	8	8	8	8	8		
20	3	172456-73370	INNER RACE	8	8	8	8	8	8		
21	3	172B16-73380	COVER	2	2	2	2	2	2		
22	3	172456-73390	SNAP RING	2	2	2	2	2	2		
23	3	172456-73420	THRUST PLATE	2	2	2	2	2	2		
24	3	172122-73430	PLUG	4	4	4	4	4	4		
25	3	172456-73430	THRUST PLATE	2	2	2	2	2	2		
26	3	172456-73440	THRUST PLATE	2	2	2	2	2	2		
27	3	172183-73510	SEAL, FLOATING	2	2	2	2	2	2		1
28	3	172183-73520	BEARING	2	2	2	2	2	2		
29	3	172183-73560	WASHER, THRUST	8	8	8	8	8	8		
30	3	172183-73570	PLATE, THRUST	2	2	2	2	2	2		
31	3	172183-73660	WIRE	2	2	2	2	2	2		
32	3	172457-73730	HOLDER	2	2	2	2	2	2		
33	3	172457-73740	GEAR, PLANETARY	6	6	6	6	6	6		
34	3	172457-73770	GEAR, DRIVE	2	2	2	2	2	2		
35	3	172456-73980	SUN GEAR	2	2	2	2	2	2		
38	2	172B16-73390	PLUG	2	2	2	2	2	2		
39	2	172421-73400	SPRING	2	2	2	2	2	2		
40	2	172B16-73400	SPRING	4	4	4	4	4	4		
41	2	172122-73470	PIN	2	2	2	2	2	2		
42	2	172122-73480	PIN	4	4	4	4	4	4		
44	2	172450-73501	PLATE, SWASH	2	2	2	2	2	2		
45	2	172450-73510	BALL, STEEL	4	4	4	4	4	4		
46	2	172456-73510	CAP	4	4	4	4	4	4		
47	2	172456-73520	ORIFICE	4	4	4	4	4	4		
48	2	172A23-73530	PLUG	6	6	6	6	6	6		
49	2	172456-73540	VALVE ASSY	2	2	2	2	2	2		
57	2	172450-73551	PISTON ASSY	4	4	4	4	4	4		
58	2	172456-73570	BOLT, SOCKET HEAD	6	6	6	6	6	6		
59	2	172450-73620	BLOCK KIT, CYLINDER	2	2	2	2	2	2		
69	2	172183-73670	SHAFT	2	2	2	2	2	2		
70	2	172312-74790	ORIFICE	8	8	8	8	8	8		
71	2	24101-060024	BEARING, BALL 6002	2	2	2	2	2	2		

Remarks  
 (1)A package contains 2 floating seals.  
 1 package par 1 travel motor.

Fig.98. TRAVEL MOTOR

(A)=VIO25-6A P(US)  
 (B)=VIO25-6A C(US)  
 (C)=VIO25-6A P(AS)

(D)=VIO25-6A C(AS)  
 (E)=VIO25-6A P(NZ)  
 (F)=VIO25-6A C(NZ)



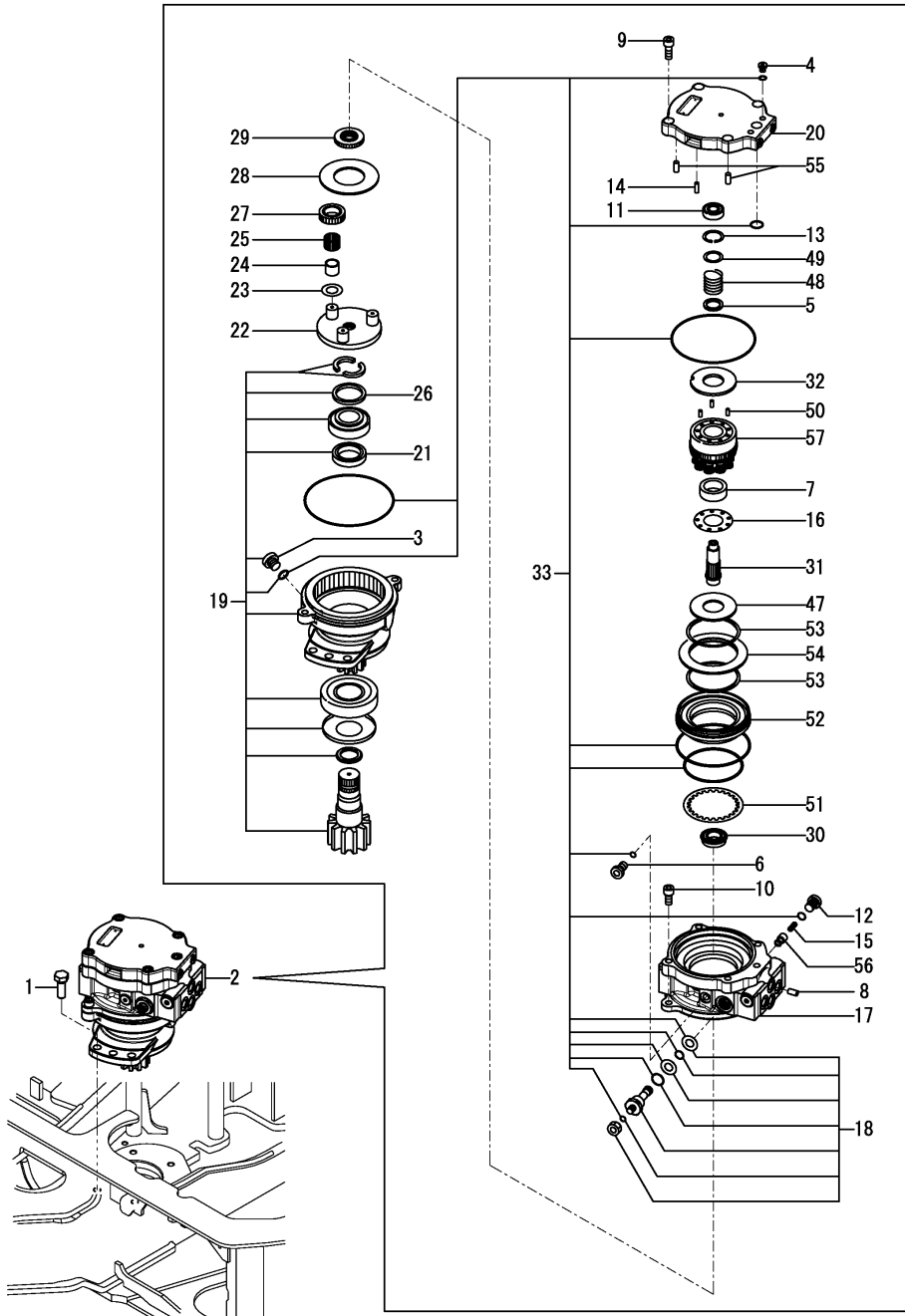
No.	Lev.	Parts No.	Description	Q'ty						I	R
				(A)	(B)	(C)	(D)	(E)	(F)		
72	2	24101-060044	BEARING, BALL 6004	2	2	2	2	2	2		
77	2	26450-080202	BOLT, M8X 20	12	12	12	12	12	12		
78	1	26013-100302	BOLT, M10X 30	24	24	24	24	24	24		
79	1	172B16-73350	SEAL KIT, TRAVEL M	2	2	2	2	2	2		

Remarks  
 (1)A package contains 2 floating seals.  
 1 package par 1 travel motor.

Fig.99. TURNING MOTOR

(A)=VIO25-6A P(US)  
 (B)=VIO25-6A C(US)  
 (C)=VIO25-6A P(AS)

(D)=VIO25-6A C(AS)  
 (E)=VIO25-6A P(NZ)  
 (F)=VIO25-6A C(NZ)



No.	Lev.	Parts No.	Description	Q'ty						I	R
				(A)	(B)	(C)	(D)	(E)	(F)		
1	1	172455-29140	BOLT	6	6	6	6	6	6		
2	1	172B16-73700	MOTOR ASSY, SWING	1	1	1	1	1	1		
3	2	1A6240-37360	PLUG	1	1	1	1	1	1		
4	2	1A6240-37360	PLUG	2	2	2	2	2	2		
5	2	172147-70280	COLLAR	1	1	1	1	1	1		
6	2	172148-70301	PLUG	1	1	1	1	1	1		
7	2	172147-70331	HOLDER, RETAINER	1	1	1	1	1	1		
8	2	172124-70380	ORIFICE	1	1	1	1	1	1		
9	2	172124-70390	BOLT, SOCKET	5	5	5	5	5	5		
10	2	172124-70390	BOLT, SOCKET	2	2	2	2	2	2		
11	2	172147-70390	BEARING, BALL	1	1	1	1	1	1		
12	2	172147-70500	PLUG	2	2	2	2	2	2		
13	2	172122-70630	RING, SNAP	1	1	1	1	1	1		
14	2	172122-73470	PIN	1	1	1	1	1	1		
15	2	172638-73470	SPRING	2	2	2	2	2	2		
16	2	172423-73530	PLATE, RETAINER	1	1	1	1	1	1		
17	2	172B16-73710	CASE	1	1	1	1	1	1		
18	2	172B16-73720	VALVE ASSY, RELIEF	2	2	2	2	2	2		
19	2	172B16-73730	HOUSING ASSY	1	1	1	1	1	1		
20	2	172459-73740	COVER	1	1	1	1	1	1		
21	2	172450-73751	SEAL, OIL	1	1	1	1	1	1		
22	2	172450-73830	COLLAR	1	1	1	1	1	1		
23	2	172450-73850	WASHER, THRUST	3	3	3	3	3	3		
24	2	172450-73860	RACE, INNER	3	3	3	3	3	3		
25	2	172450-73870	BEARING, NEEDLE	3	3	3	3	3	3		
26	2	172458-73960	COLLAR	1	1	1	1	1	1		
27	2	172458-73970	GEAR, PLANETARY	3	3	3	3	3	3		
28	2	172458-73980	PLATE, THRUST	1	1	1	1	1	1		
29	2	172458-73990	GEAR, DRIVE	1	1	1	1	1	1		
30	2	172458-74310	BALL BEARING	1	1	1	1	1	1		
31	2	172458-74320	SHAFT	1	1	1	1	1	1		
32	2	172458-74330	PLATE, VALVE	1	1	1	1	1	1		
33	2	172458-74910	REPAIR KIT	1	1	1	1	1	1		
47	2	172450-77050	PLATE, THRUST	1	1	1	1	1	1		
48	2	172450-77070	SPRING	1	1	1	1	1	1		
49	2	172450-77080	WASHER	1	1	1	1	1	1		
50	2	172450-77090	PIN	3	3	3	3	3	3		
51	2	172450-77110	DISK	1	1	1	1	1	1		
52	2	172450-77120	PISTON, BRAKE	1	1	1	1	1	1		
53	2	172450-77130	SEAT, SPRING	2	2	2	2	2	2		
54	2	172450-77140	SPRING ASSY, DISK	1	1	1	1	1	1		
55	2	172450-77170	PIN	2	2	2	2	2	2		
56	2	172450-77190	VALVE, CHECK	2	2	2	2	2	2		
57	2	172450-77220	BLOCK KIT, CYLINDER	1	1	1	1	1	1		

Fig.100. ACCUMULATOR

(A)=VIO25-6A P(US)  
 (B)=VIO25-6A C(US)  
 (C)=VIO25-6A P(AS)

(D)=VIO25-6A C(AS)  
 (E)=VIO25-6A P(NZ)  
 (F)=VIO25-6A C(NZ)

No.	Lev.	Parts No.	Description	Q'ty						I	R
				(A)	(B)	(C)	(D)	(E)	(F)		
1	1	172B11-73600	ACCUMULATOR	1	1	1	1	1	1		
2	1	172B11-73630	CLAMP	1	1	1	1	1	1		
3	1	172423-76120	CONNECTOR, PF1/2X1/4	1	1	1	1	1	1		
4	1	26014-080202	BOLT, M8X 20	2	2	2	2	2	2		
5	1	41851-000180	O-RING	1	1	1	1	1	1		

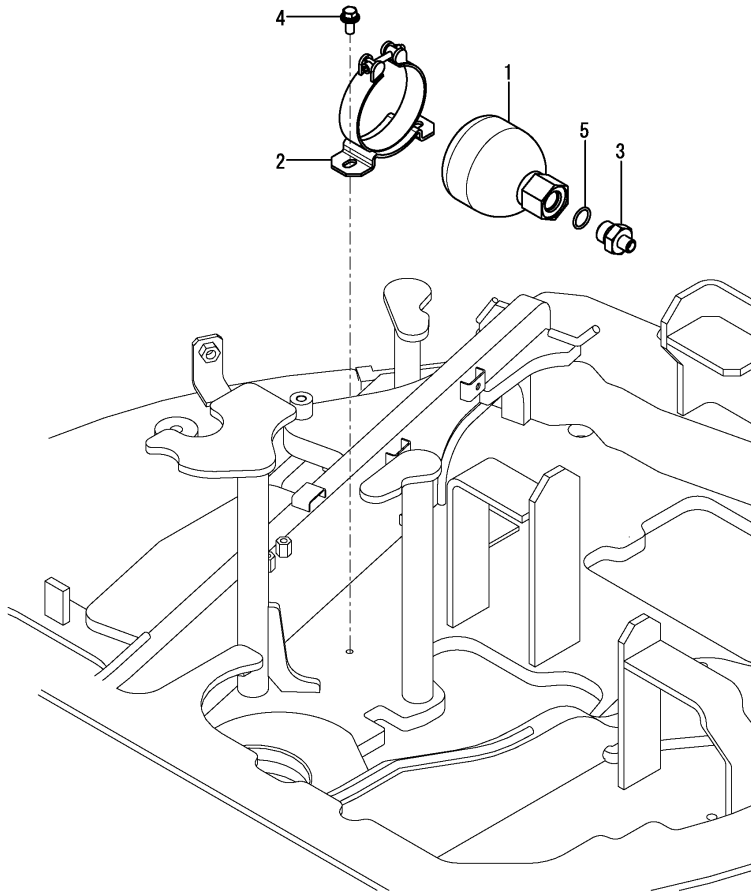
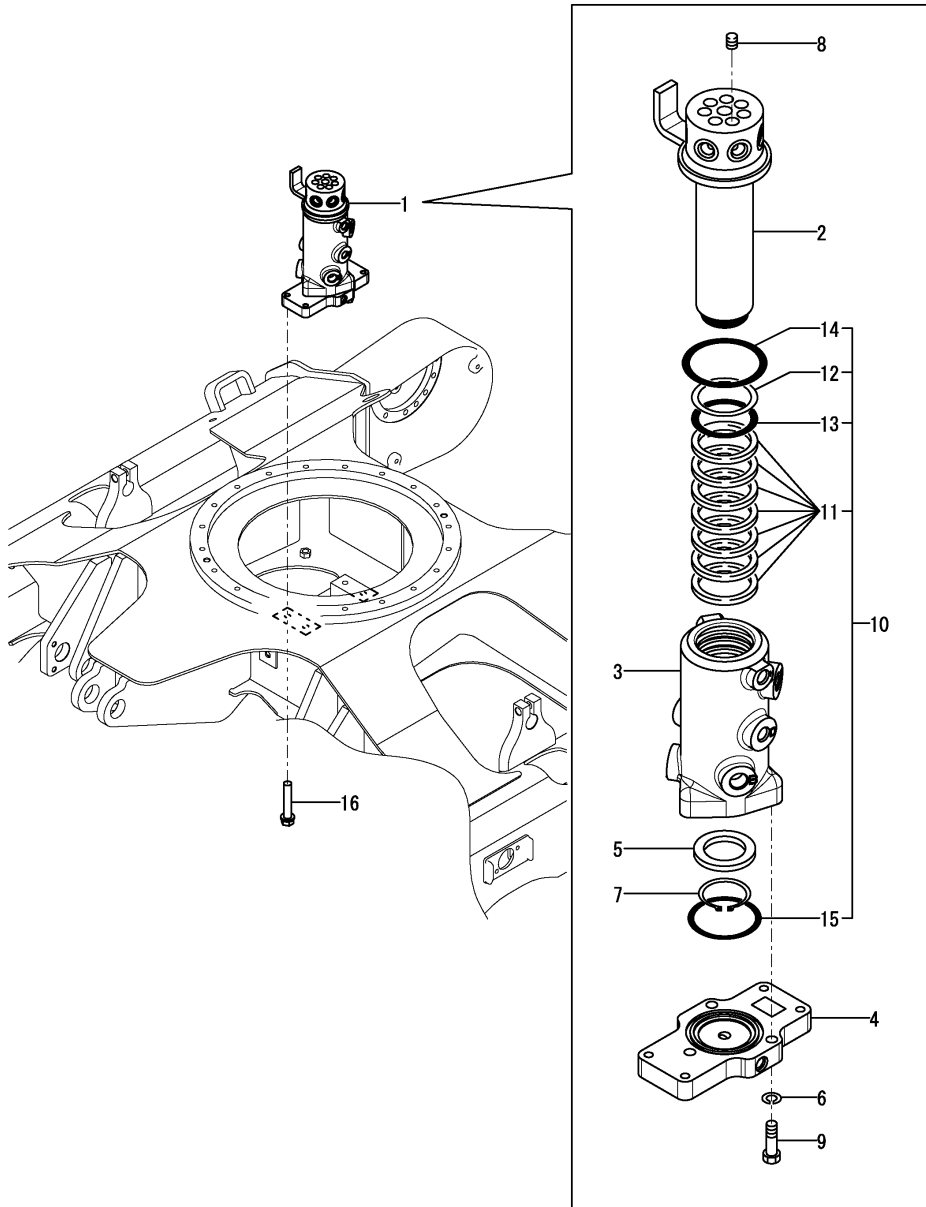


Fig.101. SWIVEL JOINT

(A)=VIO25-6A P(US)  
 (B)=VIO25-6A C(US)  
 (C)=VIO25-6A P(AS)

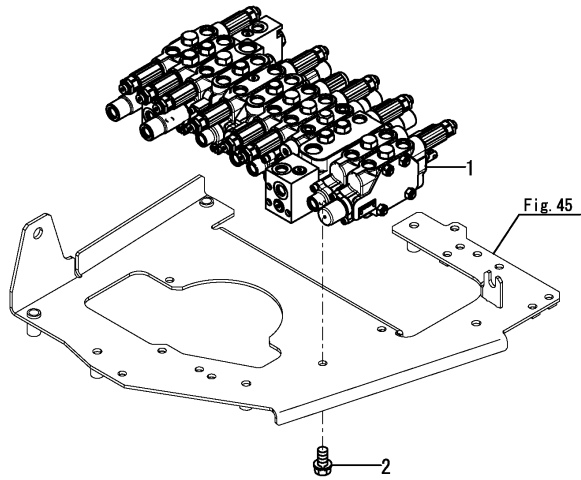
(D)=VIO25-6A C(AS)  
 (E)=VIO25-6A P(NZ)  
 (F)=VIO25-6A C(NZ)



No.	Lev.	Parts No.	Description	Q'ty						I	R
				(A)	(B)	(C)	(D)	(E)	(F)		
1	1	172B02-73800	JOINT ASSY, SWIVEL	1	1	1	1	1	1		
2	2	172B02-73810	SHAFT ASSY, SWIVEL	1	1	1	1	1	1		
3	2	172B02-73840	HUB, SWIVEL	1	1	1	1	1	1		
4	2	172B02-73850	FLANGE, SWIVEL	1	1	1	1	1	1		
5	2	172B02-73860	SPACER, SWIVEL	1	1	1	1	1	1		
6	2	22217-100000	WASHER, SPRING 10	3	3	3	3	3	3		
7	2	22242-000451	RING, 45	1	1	1	1	1	1		
8	2	23871-020000	PLUG, R02	7	7	7	7	7	7		
9	2	26076-100352	BOLT, 10.910X 35	3	3	3	3	3	3		
10	2	172B02-73900	SEAL KIT, SWIVEL	1	1	1	1	1	1		
10-1	2	172B02-73910	SEAL KIT, SWIVEL	1	1	1	1	1	1		N
		(A=*2014.04)	(B=*2014.04)	(C=*2014.04)	(D=*2014.04)	(E=*2014.04)	(F=*2014.04)				
11	3	172B02-73870	SEAL, SWIVEL	7	7	7	7	7	7		
11-1	3	172B02-73890	SEAL, SWIVEL	7	7	7	7	7	7		N
		(A=*2014.04)	(B=*2014.04)	(C=*2014.04)	(D=*2014.04)	(E=*2014.04)	(F=*2014.04)				
12	3	172B02-73880	RING, BACKUP T3 55	1	1	1	1	1	1		
13	3	24315-000560	O-RING, 1BP56.0	1	1	1	1	1	1		
14	3	24315-000750	O-RING, 1BP75.0	1	1	1	1	1	1		
15	3	24325-000700	O-RING, 1BG70.0	1	1	1	1	1	1		
16	1	26013-100552	BOLT, M10X 55	4	4	4	4	4	4		

# Fig.102. CONTROL VALVE(1/7)

CONTROL VALVE ASSY  
Fig. 102 Ref. No. 1  
INC. Fig. 103~108.



(A)=VIO25-6A P(US)  
(B)=VIO25-6A C(US)  
(C)=VIO25-6A P(AS)

(D)=VIO25-6A C(AS)  
(E)=VIO25-6A P(NZ)  
(F)=VIO25-6A C(NZ)

No.	Lev.	Parts No.	Description	Q'ty						I	R
				(A)	(B)	(C)	(D)	(E)	(F)		
1	1	172B16-74110	VALVE ASSY,CV EX	1	1	1	1	1	1		
2	1	26013-100162	BOLT, M10X 16	3	3	3	3	3	3		

## CONTROL VALVE

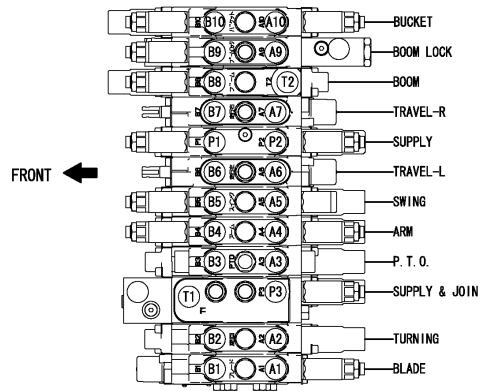
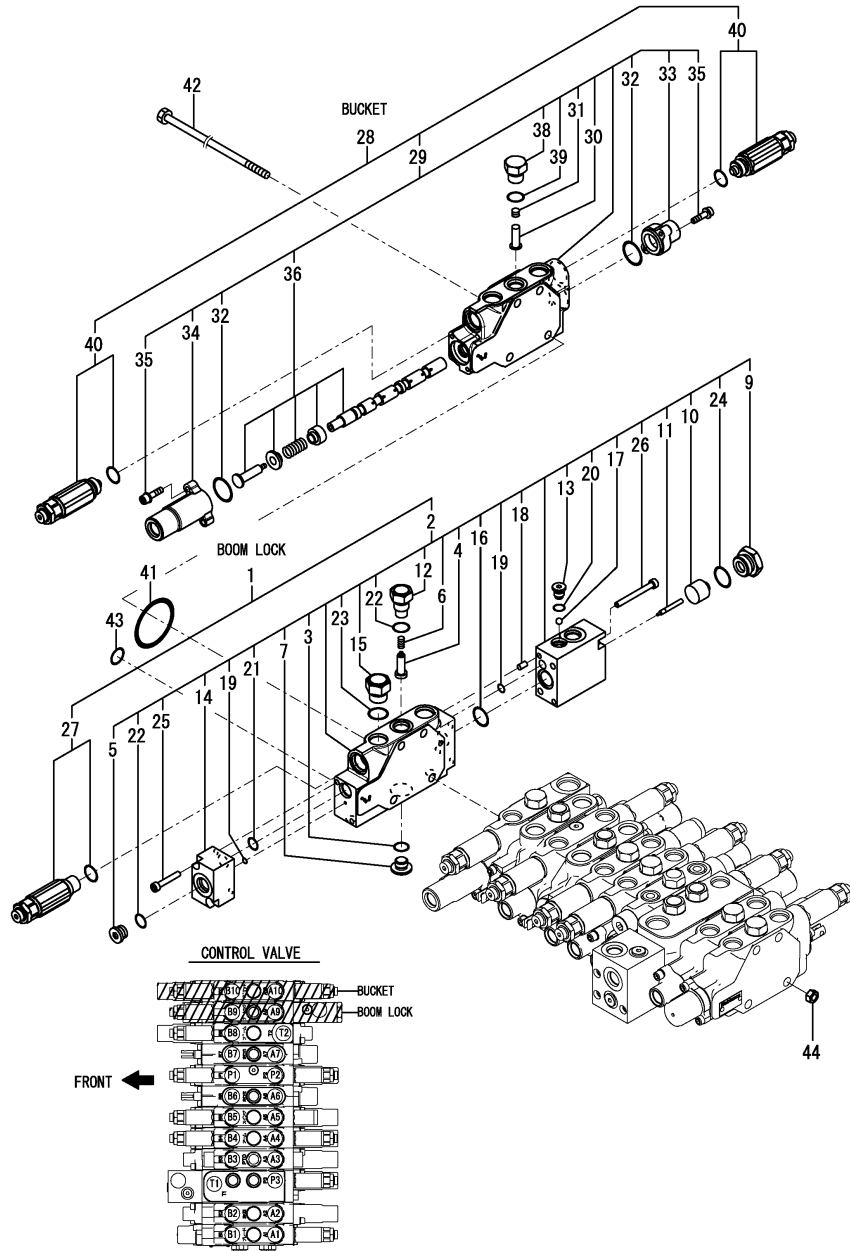


Fig.103. CONTROL VALVE(2/7)

(A)=VIO25-6A P(US)  
 (B)=VIO25-6A C(US)  
 (C)=VIO25-6A P(AS)

(D)=VIO25-6A C(AS)  
 (E)=VIO25-6A P(NZ)  
 (F)=VIO25-6A C(NZ)



No.	Lev.	Parts No.	Description	Q'ty						I	R
				(A)	(B)	(C)	(D)	(E)	(F)		
1	2	172B16-74220	VALVE ASSY, LOCK	1	1	1	1	1	1		
2	3	172B16-74340	SECTION ASSY, LOCK	1	1	1	1	1	1		
3	4	172A47-74270	O-RING	1	1	1	1	1	1		
4	4	172458-74290	VALVE, REVERSE	1	1	1	1	1	1		
5	4	172183-74350	PLUG	1	1	1	1	1	1		
6	4	172458-74360	SPRING, VALVE	1	1	1	1	1	1		
7	4	172A47-74460	PLUG	1	1	1	1	1	1		
9	4	172A47-74560	BUSH PF1/2X1/4	1	1	1	1	1	1		
10	4	172A47-74570	PISTON B	1	1	1	1	1	1		
11	4	172A47-74580	PISTON A1	1	1	1	1	1	1		
12	4	172458-74640	STAY, VALVE	1	1	1	1	1	1		
13	4	172A47-74920	HOLDER, BALL	1	1	1	1	1	1		
14	4	172A47-74930	BODY, DISCHARGE	1	1	1	1	1	1		
15	4	172A47-75620	STAY, VALVE	1	1	1	1	1	1		
16	4	172A47-75680	O-RING	1	1	1	1	1	1		
17	4	172A47-75690	BALL, STEEL	1	1	1	1	1	1		
18	4	22312-050100	PIN, PARALLEL M5X10	2	2	2	2	2	2		
19	4	24311-000060	O-RING, 1AP6.0	2	2	2	2	2	2		
20	4	24315-000080	O-RING, 1BP8.0	1	1	1	1	1	1		
21	4	24315-000100	O-RING, 1BP10.0	1	1	1	1	1	1		
22	4	24315-000110	O-RING, 1BP11.0	2	2	2	2	2	2		
23	4	24315-000140	O-RING, 1BP14.0	1	1	1	1	1	1		
24	4	24315-000180	O-RING, 1BP18.0	1	1	1	1	1	1		
25	4	26450-050302	BOLT, M5X 30	2	2	2	2	2	2		
26	4	26450-060652	BOLT, M6X 65	2	2	2	2	2	2		
27	3	172456-74440	VALVE, RELIEF	1	1	1	1	1	1		
28	2	172B16-74230	VALVE ASSY, BUCKET	1	1	1	1	1	1		
29	3	172B16-74350	SECTION ASSY, BUCKET	1	1	1	1	1	1		
30	4	172458-74150	VALVE, REVERSE	1	1	1	1	1	1		
31	4	172458-74160	SPRING, VALVE	1	1	1	1	1	1		
32	4	172458-74230	O-RING	2	2	2	2	2	2		
33	4	172458-74240	COVER, PILOT	1	1	1	1	1	1		
34	4	172458-74250	COVER, PILOT	1	1	1	1	1	1		
35	4	172458-74260	BOLT	4	4	4	4	4	4		
36	4	172B16-74550	SPOOL ASSY, BUCKET	1	1	1	1	1	1		
38	4	172458-74630	STAY, VALVE	1	1	1	1	1	1		
39	4	24315-000110	O-RING, 1BP11.0	1	1	1	1	1	1		
40	3	172458-74710	VALVE, RELIEF	2	2	2	2	2	2		
41	2	172458-74720	O-RING	11	11	11	11	11	11		
42	2	172458-74730	BOLT	4	4	4	4	4	4		
43	2	24311-000200	O-RING, 1AP20.0	11	11	11	11	11	11		
44	2	26716-080002	NUT, M8	4	4	4	4	4	4		

Remarks

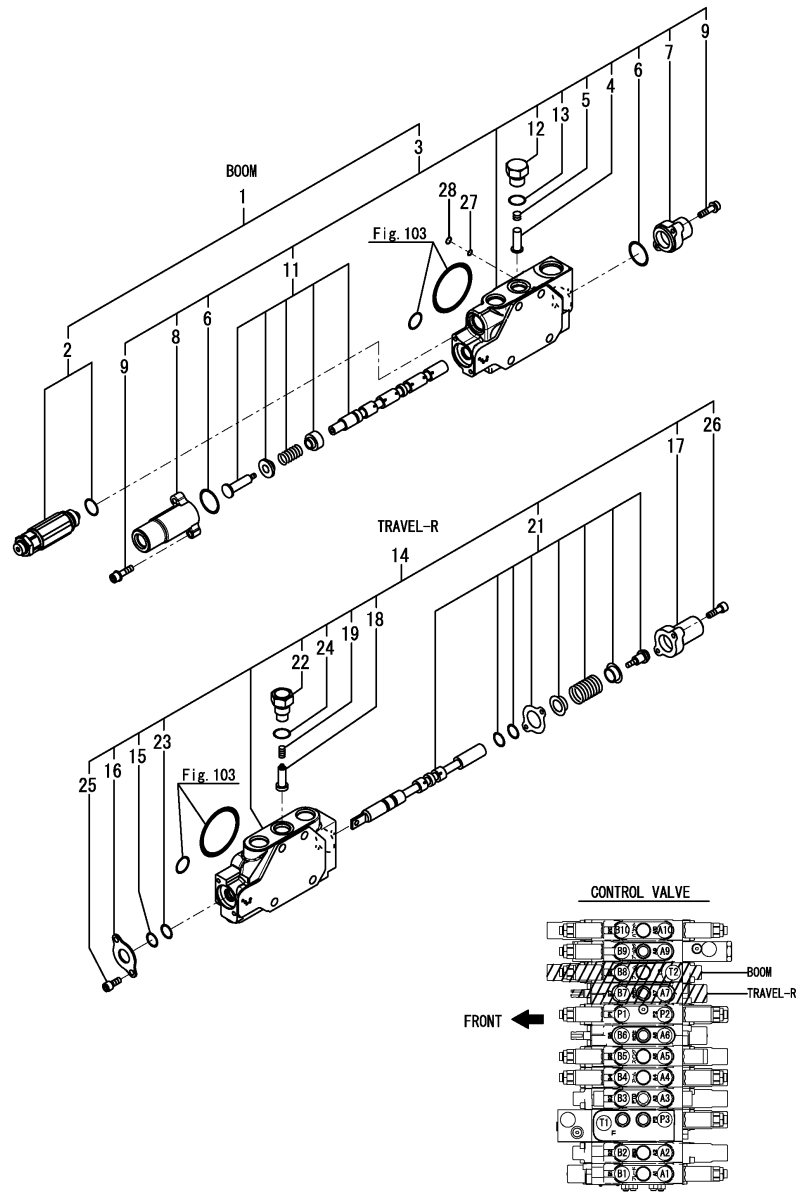
\* Control valve assy is shown in Fig.102.

N:Old  $\xrightarrow{Yes}$  New, Q:Old  $\xrightarrow{No}$  New, R:Old  $\xrightarrow{Yes}$  New, S:Old  $\xrightarrow{No}$  New, W:Add, Z:Discontinued, F:Interchangeable by set, K:Q'ty Change

Fig.104. CONTROL VALVE(3/7)

(A)=VIO25-6A P(US)  
 (B)=VIO25-6A C(US)  
 (C)=VIO25-6A P(AS)

(D)=VIO25-6A C(AS)  
 (E)=VIO25-6A P(NZ)  
 (F)=VIO25-6A C(NZ)



No.	Lev.	Parts No.	Description	Q'ty						I	R
				(A)	(B)	(C)	(D)	(E)	(F)		
1	2	172B16-74210	VALVE ASSY, BOOM	1	1	1	1	1	1		
2	3	172447-74221	VALVE ASSY, RELIEF	1	1	1	1	1	1		
3	3	172B16-74330	SECTION ASSY, BOOM	1	1	1	1	1	1		
4	4	172458-74150	VALVE, REVERSE	1	1	1	1	1	1		
5	4	172458-74160	SPRING, VALVE	1	1	1	1	1	1		
6	4	172458-74230	O-RING	2	2	2	2	2	2		
7	4	172458-74240	COVER, PILOT	1	1	1	1	1	1		
8	4	172458-74250	COVER, PILOT	1	1	1	1	1	1		
9	4	172458-74260	BOLT	4	4	4	4	4	4		
11	4	172B16-74480	SPOOL ASSY, BOOM	1	1	1	1	1	1		
12	4	172458-74630	STAY, VALVE	1	1	1	1	1	1		
13	4	24315-000110	O-RING, 1BP11.0	1	1	1	1	1	1		
14	2	172B16-74320	SECTION ASSY, TRAVEL2	1	1	1	1	1	1		
15	3	172458-74130	WIPER, DUST	1	1	1	1	1	1		
16	3	172458-74140	RETAINER, SEAL	1	1	1	1	1	1		
17	3	172458-74170	CAP, SPRING	1	1	1	1	1	1		
18	3	172458-74290	VALVE, REVERSE	1	1	1	1	1	1		
19	3	172458-74360	SPRING, VALVE	1	1	1	1	1	1		
21	3	172B16-74440	SPOOL ASSY, TRAVEL	1	1	1	1	1	1		
22	3	172458-74640	STAY, VALVE	1	1	1	1	1	1		
23	3	24311-000120	O-RING, 1AP12.0	1	1	1	1	1	1		
24	3	24315-000110	O-RING, 1BP11.0	1	1	1	1	1	1		
25	3	26450-050102	BOLT, M5X 10	2	2	2	2	2	2		
26	3	26450-050182	BOLT, M5X 18	2	2	2	2	2	2		
27	2	24315-000090	O-RING, 1BP9.0	1	1	1	1	1	1		
28	2	24315-000100	O-RING, 1BP10.0	1	1	1	1	1	1		

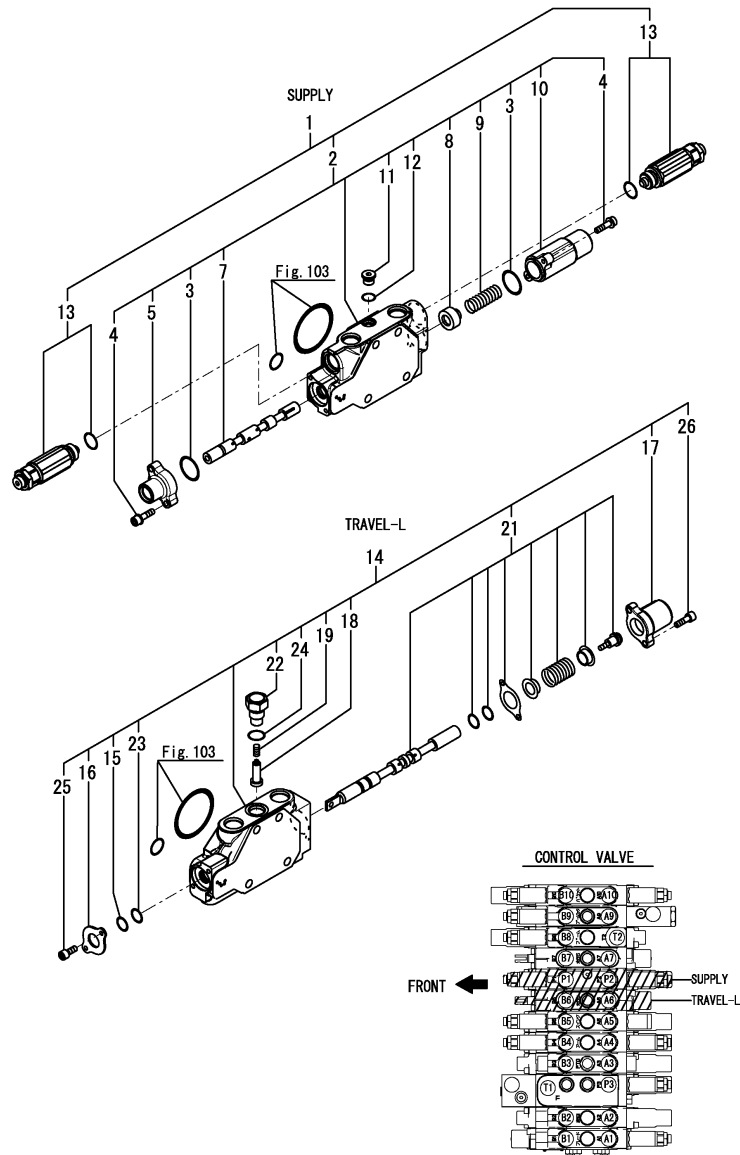
Remarks  
 \* Control valve assy is shown in Fig.102.



Fig.105. CONTROL VALVE(4/7)

(A)=VIO25-6A P(US)  
 (B)=VIO25-6A C(US)  
 (C)=VIO25-6A P(AS)

(D)=VIO25-6A C(AS)  
 (E)=VIO25-6A P(NZ)  
 (F)=VIO25-6A C(NZ)



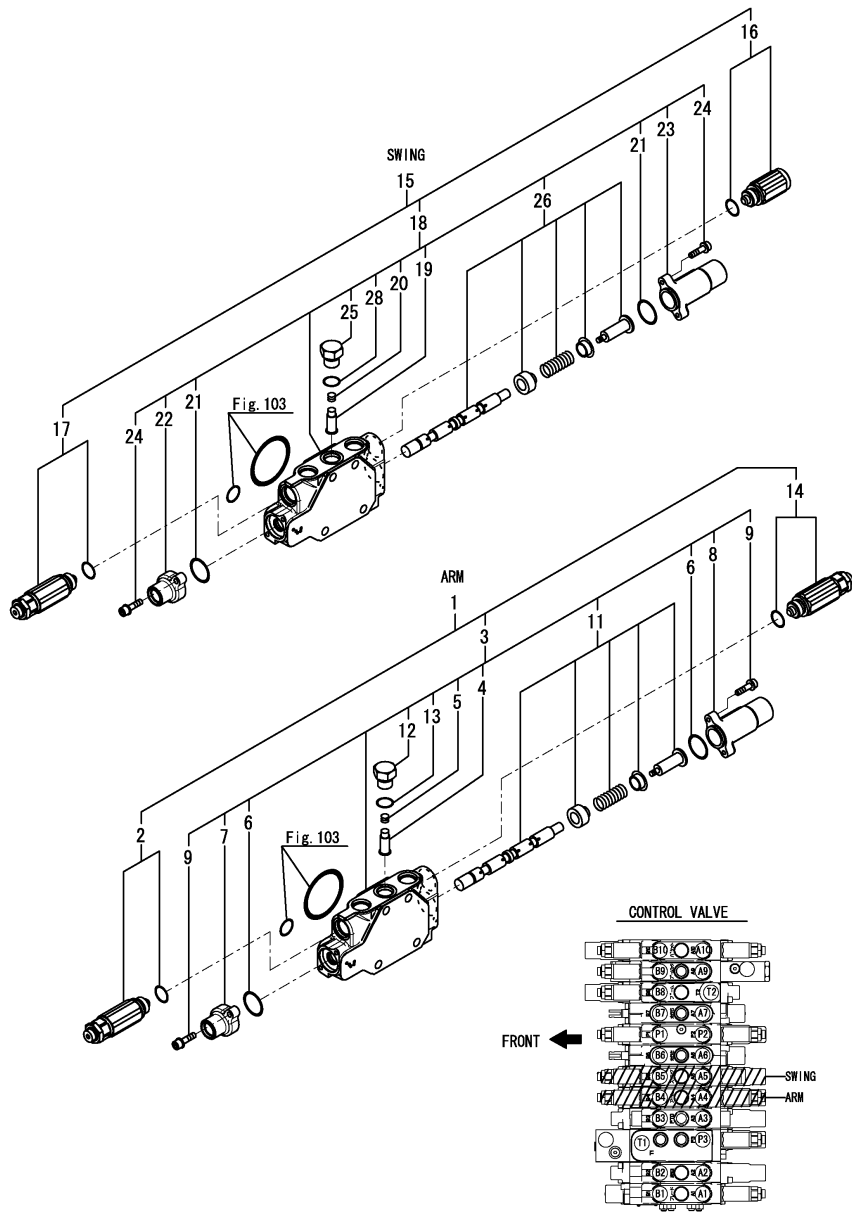
No.	Lev.	Parts No.	Description	Q'ty						I	R
				(A)	(B)	(C)	(D)	(E)	(F)		
1	2	172B16-74200	VALVE ASSY, INLET	1	1	1	1	1	1		
2	3	172B16-74310	SECTION ASSY, INLET	1	1	1	1	1	1		
3	4	172458-74230	O-RING	2	2	2	2	2	2		
4	4	172458-74260	BOLT	4	4	4	4	4	4		
5	4	172A47-74380	COVER, PILOT	1	1	1	1	1	1		
7	4	172B16-74470	SPOOL ASSY, INLET	1	1	1	1	1	1		
8	4	172458-74530	SEAT, SPRING	1	1	1	1	1	1		
9	4	172458-74540	SPRING, RETURN	1	1	1	1	1	1		
10	4	172458-74550	COVER, PILOT	1	1	1	1	1	1		
11	4	172458-74670	PLUG	1	1	1	1	1	1		
12	4	24315-000080	O-RING, 1BP8.0	1	1	1	1	1	1		
13	3	172B16-74570	RELIEF ASSY, 20.6	2	2	2	2	2	2		
14	2	172B16-74300	SECTION ASSY,TRAVEL1	1	1	1	1	1	1		
15	3	172458-74130	WIPER, DUST	1	1	1	1	1	1		
16	3	172458-74140	RETAINER, SEAL	1	1	1	1	1	1		
17	3	172458-74170	CAP, SPRING	1	1	1	1	1	1		
18	3	172458-74290	VALVE, REVERSE	1	1	1	1	1	1		
19	3	172458-74360	SPRING, VALVE	1	1	1	1	1	1		
21	3	172B16-74440	SPOOL ASSY, TRAVEL	1	1	1	1	1	1		
22	3	172458-74640	STAY, VALVE	1	1	1	1	1	1		
23	3	24311-000120	O-RING, 1AP12.0	1	1	1	1	1	1		
24	3	24315-000110	O-RING, 1BP11.0	1	1	1	1	1	1		
25	3	26450-050102	BOLT, M5X 10	2	2	2	2	2	2		
26	3	26450-050182	BOLT, M5X 18	2	2	2	2	2	2		

Remarks  
 \* Control valve assy is shown in Fig.102.

Fig.106. CONTROL VALVE(5/7)

(A)=VIO25-6A P(US)  
 (B)=VIO25-6A C(US)  
 (C)=VIO25-6A P(AS)

(D)=VIO25-6A C(AS)  
 (E)=VIO25-6A P(NZ)  
 (F)=VIO25-6A C(NZ)



No.	Lev.	Parts No.	Description	Q'ty						I	R
				(A)	(B)	(C)	(D)	(E)	(F)		
1	2	172B16-74180	VALVE ASSY, ARM	1	1	1	1	1	1		
2	3	172447-74221	VALVE ASSY, RELIEF	1	1	1	1	1	1		
3	3	172B16-74280	SECTION ASSY, ARM	1	1	1	1	1	1		
4	4	172458-74150	VALVE, REVERSE	1	1	1	1	1	1		
5	4	172458-74160	SPRING, VALVE	1	1	1	1	1	1		
6	4	172458-74230	O-RING	2	2	2	2	2	2		
7	4	172458-74240	COVER, PILOT	1	1	1	1	1	1		
8	4	172458-74250	COVER, PILOT	1	1	1	1	1	1		
9	4	172458-74260	BOLT	4	4	4	4	4	4		
11	4	172B16-74420	SPOOL ASSY, ARM	1	1	1	1	1	1		
12	4	172458-74630	STAY, VALVE	1	1	1	1	1	1		
13	4	24315-000110	O-RING, 1BP11.0	1	1	1	1	1	1		
14	3	172458-74710	VALVE, RELIEF	1	1	1	1	1	1		
15	2	172B16-74930	VALVE ASSY, B SWING	1	1	1	1	1	1		
16	3	172447-74230	ANTI-CAVITATION	1	1	1	1	1	1		
17	3	172458-74710	VALVE, RELIEF	1	1	1	1	1	1		
18	3	172B16-74950	SECTION ASSY, B SWING	1	1	1	1	1	1		
19	4	172458-74150	VALVE, REVERSE	1	1	1	1	1	1		
20	4	172458-74160	SPRING, VALVE	1	1	1	1	1	1		
21	4	172458-74230	O-RING	2	2	2	2	2	2		
22	4	172458-74240	COVER, PILOT	1	1	1	1	1	1		
23	4	172458-74250	COVER, PILOT	1	1	1	1	1	1		
24	4	172458-74260	BOLT	4	4	4	4	4	4		
25	4	172458-74630	STAY, VALVE	1	1	1	1	1	1		
26	4	172B16-74970	SPOOL ASSY, B SWING	1	1	1	1	1	1		
28	4	24315-000110	O-RING, 1BP11.0	1	1	1	1	1	1		

Remarks

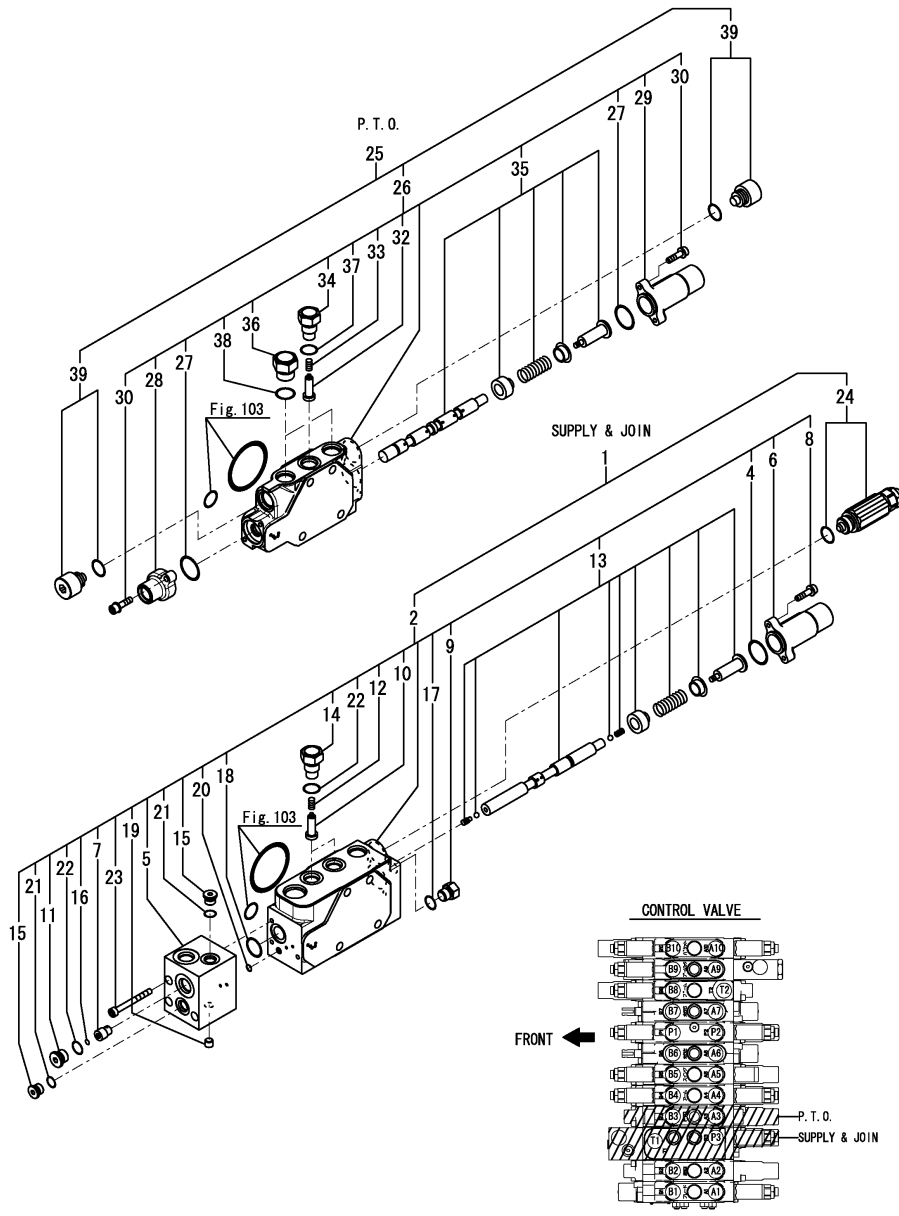
\* Control valve assy is shown in Fig.102.

N:Old  $\begin{matrix} \text{Yes} \\ \text{No} \end{matrix}$  New, Q:Old  $\begin{matrix} \text{No} \\ \text{Yes} \end{matrix}$  New, R:Old  $\begin{matrix} \text{Yes} \\ \text{No} \end{matrix}$  New, S:Old  $\begin{matrix} \text{No} \\ \text{Yes} \end{matrix}$  New, W:Add, Z:Discontinued, F:Interchangeable by set, K:Q'ty Change

Fig.107. CONTROL VALVE(6/7)

(A)=VIO25-6A P(US)  
 (B)=VIO25-6A C(US)  
 (C)=VIO25-6A P(AS)

(D)=VIO25-6A C(AS)  
 (E)=VIO25-6A P(NZ)  
 (F)=VIO25-6A C(NZ)



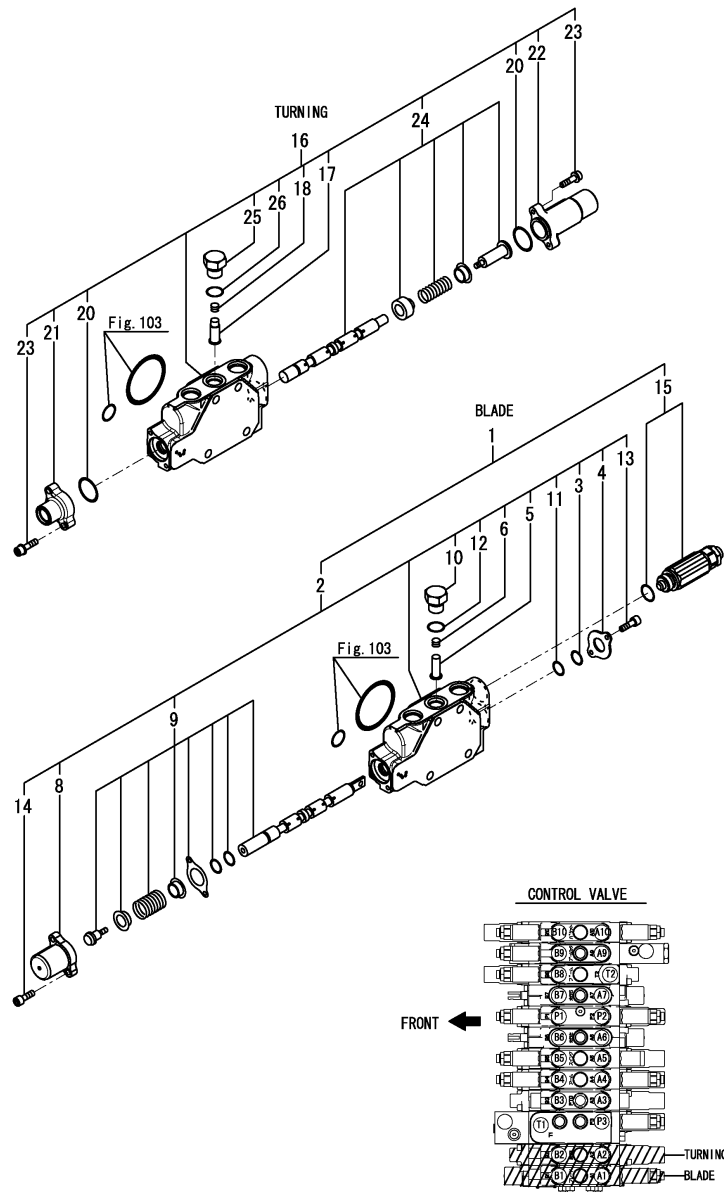
No.	Lev.	Parts No.	Description	Q'ty						I	R
				(A)	(B)	(C)	(D)	(E)	(F)		
1	2	172B16-74160	VALVE ASSY, CONFLUX	1	1	1	1	1	1		
2	3	172B16-74260	SECTION ASSY,CONFLUX	1	1	1	1	1	1		
4	4	172458-74230	O-RING	1	1	1	1	1	1		
5	4	172B02-74240	BLOCK, PILOT	1	1	1	1	1	1		
6	4	172458-74250	COVER, PILOT	1	1	1	1	1	1		
7	4	172B02-74250	PLUG, THROTTLE	1	1	1	1	1	1		
8	4	172458-74260	BOLT	2	2	2	2	2	2		
9	4	172A47-74260	PLUG	1	1	1	1	1	1		
10	4	172458-74290	VALVE, REVERSE	2	2	2	2	2	2		
11	4	172183-74350	PLUG	1	1	1	1	1	1		
12	4	172458-74360	SPRING, VALVE	2	2	2	2	2	2		
13	4	172B16-74380	SPOOL ASSY, CONFLUX	1	1	1	1	1	1		
14	4	172458-74640	STAY, VALVE	2	2	2	2	2	2		
15	4	172458-74670	PLUG	2	2	2	2	2	2		
16	4	172499-74860	FILTER	1	1	1	1	1	1		
17	4	172A47-74950	O-RING	1	1	1	1	1	1		
18	4	172A47-75680	O-RING	1	1	1	1	1	1		
19	4	172A47-75720	PLUG NPT1/16	1	1	1	1	1	1		
20	4	24315-000050	O-RING, 1BP5.0	2	2	2	2	2	2		
21	4	24315-000080	O-RING, 1BP8.0	2	2	2	2	2	2		
22	4	24315-000110	O-RING, 1BP11.0	3	3	3	3	3	3		
23	4	26450-050502	BOLT, M5X 50	3	3	3	3	3	3		
24	3	172B16-74580	RELIEF ASSY, 18.1	1	1	1	1	1	1		
25	2	172B16-74920	VALVE ASSY, PTO	1	1	1	1	1	1		
26	3	172B16-74940	SECTION ASSY, PTO	1	1	1	1	1	1		
27	4	172458-74230	O-RING	2	2	2	2	2	2		
28	4	172458-74240	COVER, PILOT	1	1	1	1	1	1		
29	4	172458-74250	COVER, PILOT	1	1	1	1	1	1		
30	4	172458-74260	BOLT	4	4	4	4	4	4		
32	4	172490-74310	VALVE, REVERSE	1	1	1	1	1	1		
33	4	172490-74320	SPRING, VALVE	1	1	1	1	1	1		
34	4	172490-74330	STAY, VALVE	1	1	1	1	1	1		
35	4	172B16-74960	SPOOL ASSY, PTO	1	1	1	1	1	1		
36	4	172A47-75620	STAY, VALVE	2	2	2	2	2	2		
37	4	24315-000110	O-RING, 1BP11.0	1	1	1	1	1	1		
38	4	24315-000140	O-RING, 1BP14.0	2	2	2	2	2	2		
39	3	172A47-75460	PLUG ASSY, VALVE	2	2	2	2	2	2		

Remarks  
 \* Control valve assy is shown in Fig.102.

Fig.108. CONTROL VALVE(7/7)

(A)=VIO25-6A P(US)  
 (B)=VIO25-6A C(US)  
 (C)=VIO25-6A P(AS)

(D)=VIO25-6A C(AS)  
 (E)=VIO25-6A P(NZ)  
 (F)=VIO25-6A C(NZ)



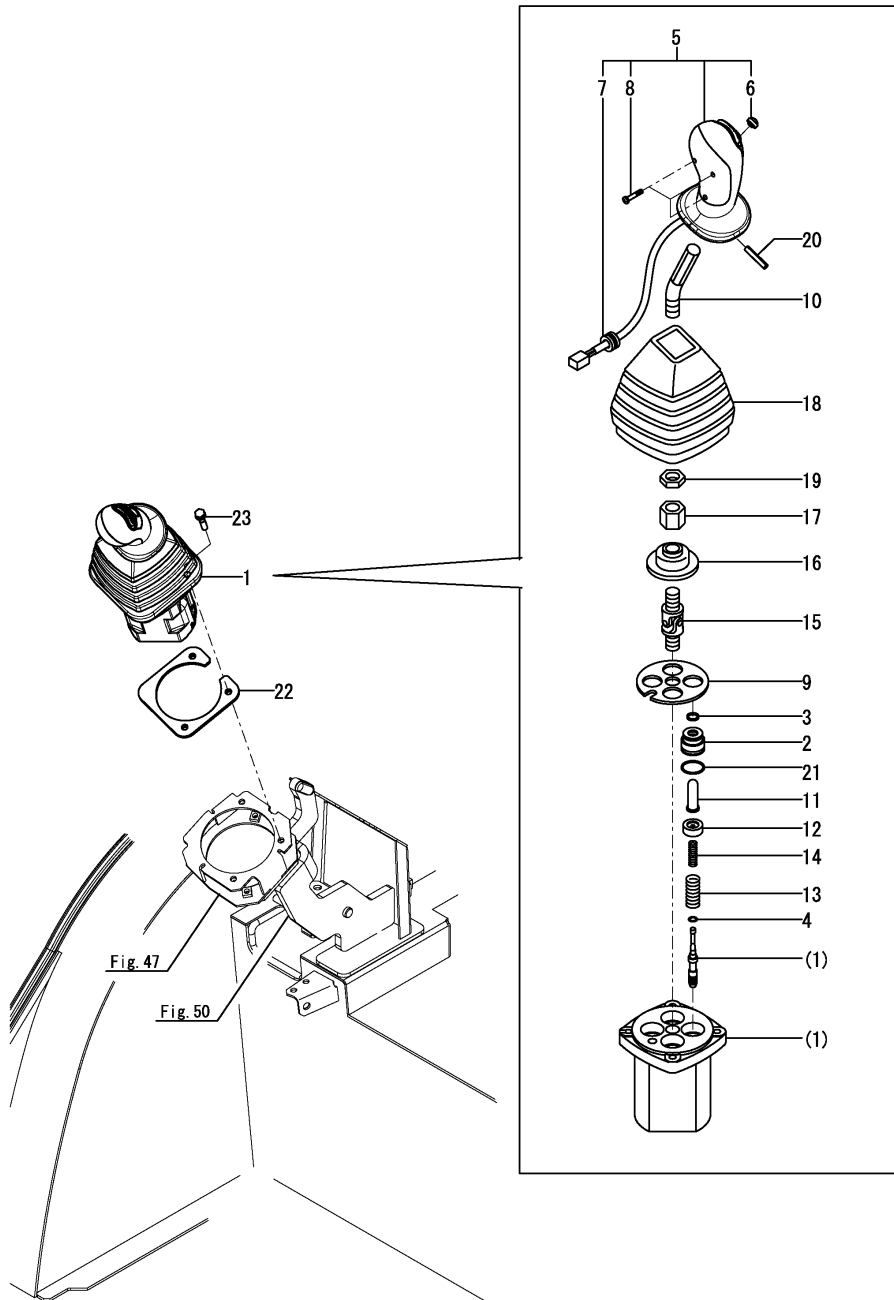
No.	Lev.	Parts No.	Description	Q'ty						I	R
				(A)	(B)	(C)	(D)	(E)	(F)		
1	2	172B16-74150	VALVE ASSY, BLADE	1	1	1	1	1	1		
2	3	172B16-74240	SECTION ASSY, BLADE	1	1	1	1	1	1		
3	4	172458-74130	WIPER, DUST	1	1	1	1	1	1		
4	4	172458-74140	RETAINER, SEAL	1	1	1	1	1	1		
5	4	172458-74150	VALVE, REVERSE	1	1	1	1	1	1		
6	4	172458-74160	SPRING, VALVE	1	1	1	1	1	1		
8	4	172458-74170	CAP, SPRING	1	1	1	1	1	1		
9	4	172B16-74360	SPOOL ASSY, BLADE	1	1	1	1	1	1		
10	4	172458-74630	STAY, VALVE	1	1	1	1	1	1		
11	4	24311-000120	O-RING, 1AP12.0	1	1	1	1	1	1		
12	4	24315-000110	O-RING, 1BP11.0	1	1	1	1	1	1		
13	4	26450-050102	BOLT, M5X 10	2	2	2	2	2	2		
14	4	26450-050182	BOLT, M5X 18	2	2	2	2	2	2		
15	3	172458-74700	VALVE, RELIEF	1	1	1	1	1	1		
16	2	172B16-74250	SECTION ASSY, SWING	1	1	1	1	1	1		
17	3	172458-74150	VALVE, REVERSE	1	1	1	1	1	1		
18	3	172458-74160	SPRING, VALVE	1	1	1	1	1	1		
20	3	172458-74230	O-RING	2	2	2	2	2	2		
21	3	172458-74240	COVER, PILOT	1	1	1	1	1	1		
22	3	172458-74250	COVER, PILOT	1	1	1	1	1	1		
23	3	172458-74260	BOLT	4	4	4	4	4	4		
24	3	172B16-74370	SPOOL ASSY, SWING	1	1	1	1	1	1		
25	3	172458-74630	STAY, VALVE	1	1	1	1	1	1		
26	3	24315-000110	O-RING, 1BP11.0	1	1	1	1	1	1		

Remarks  
 \* Control valve assy is shown in Fig.102.

Fig.109. REMOTE CONTROL VALVE(RIGHT)

(A)=VIO25-6A P(US)  
 (B)=VIO25-6A C(US)  
 (C)=VIO25-6A P(AS)

(D)=VIO25-6A C(AS)  
 (E)=VIO25-6A P(NZ)  
 (F)=VIO25-6A C(NZ)

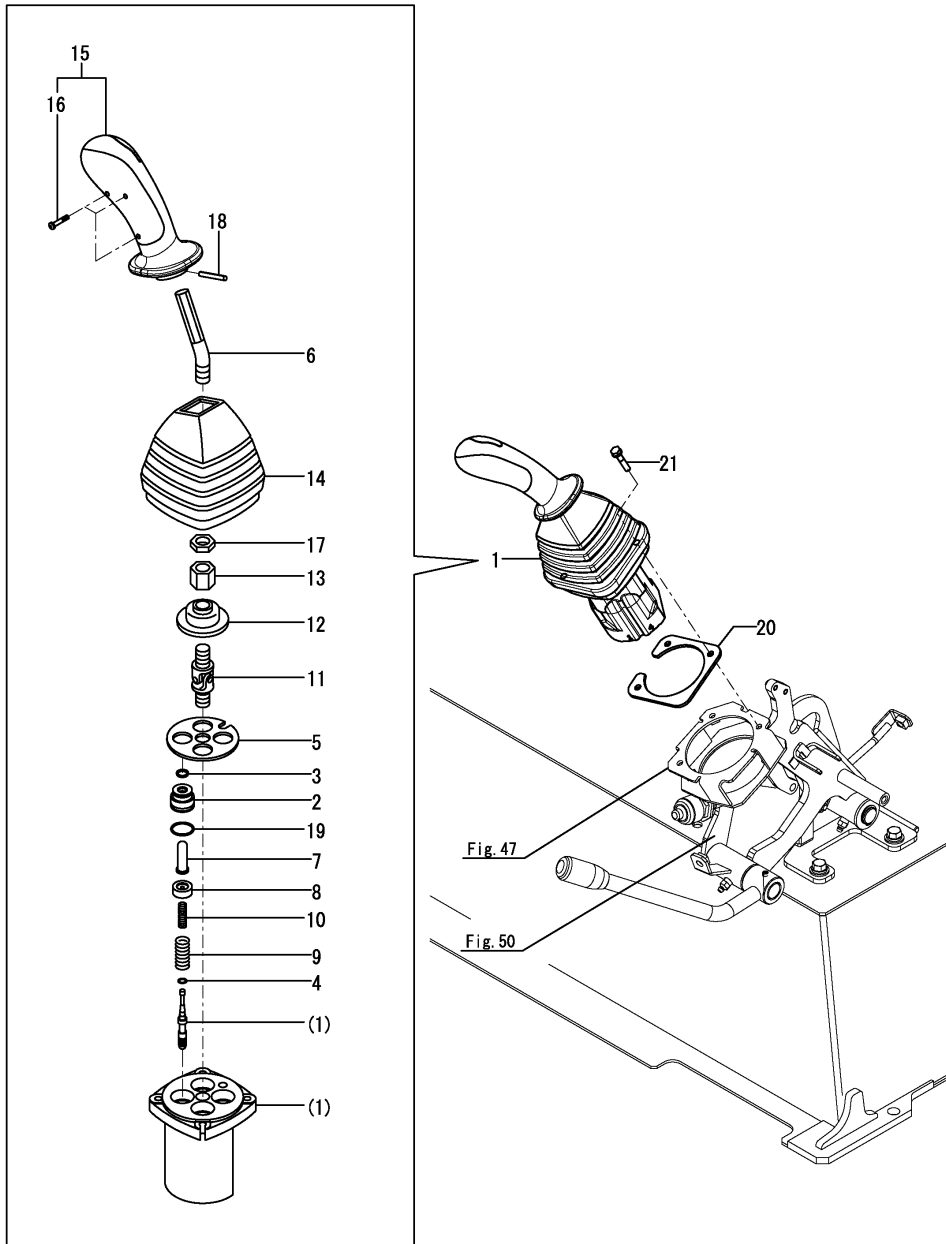


No.	Lev.	Parts No.	Description	Q'ty						I	R
				(A)	(B)	(C)	(D)	(E)	(F)		
1	1	172B16-74500	VALVE ASSY,R-PBH	1	1	1	1	1	1		
2	2	172151-73400	PLUG	4	4	4	4	4	4		
3	2	172151-73420	SEAL	4	4	4	4	4	4		
4	2	172151-73450	WASHER	4	4	4	4	4	4		
5	2	172B16-74510	HANDLE ASSY,PBH	1	1	1	1	1	1		
6	3	172B03-74660	COVER, SWITCH	1	1	1	1	1	1		
7	3	172A64-74670	BUSH	1	1	1	1	1	1		
8	3	22853-300161	SCREW, 3.0 X 16	3	3	3	3	3	3		
9	2	172A64-74590	PLATE	1	1	1	1	1	1		
10	2	172B03-74590	LEVER	1	1	1	1	1	1		
11	2	172A64-74600	ROD,PUSH	4	4	4	4	4	4		
12	2	172A64-74610	SEAT, SPRING	4	4	4	4	4	4		
13	2	172A64-74620	SPRING	4	4	4	4	4	4		
14	2	172A64-74630	SPRING	4	4	4	4	4	4		
15	2	172A64-74640	JOINT	1	1	1	1	1	1		
16	2	172A64-74650	PLATE	1	1	1	1	1	1		
17	2	172A64-74660	NUT	1	1	1	1	1	1		
18	2	172A64-74680	BELLOWS	1	1	1	1	1	1		
19	2	172A64-74900	NUT, LOCK	1	1	1	1	1	1		
20	2	172A64-74930	PIN,SPRING	1	1	1	1	1	1		
21	2	24315-000200	O-RING, 1BP20.0	4	4	4	4	4	4		
22	1	172A78-74650	PLATE ASSY,VALVE	1	1	1	1	1	1		
23	1	26013-060302	BOLT, M6X 30	3	3	3	3	3	3		

Fig.110. REMOTE CONTROL VALVE(LEFT)

(A)=VIO25-6A P(US)  
 (B)=VIO25-6A C(US)  
 (C)=VIO25-6A P(AS)

(D)=VIO25-6A C(AS)  
 (E)=VIO25-6A P(NZ)  
 (F)=VIO25-6A C(NZ)

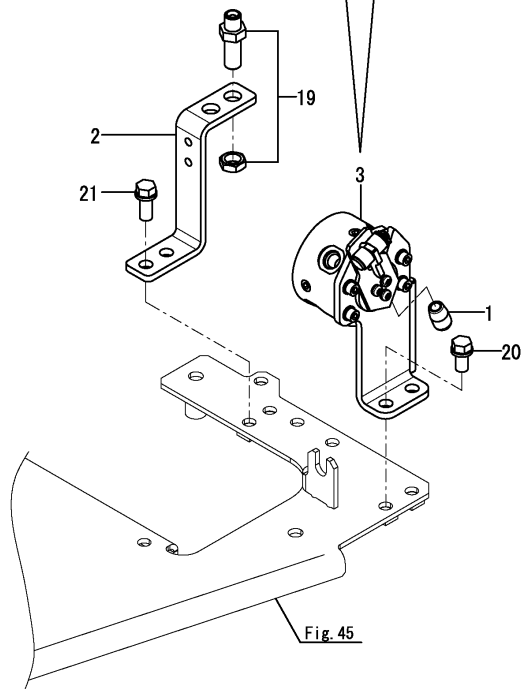
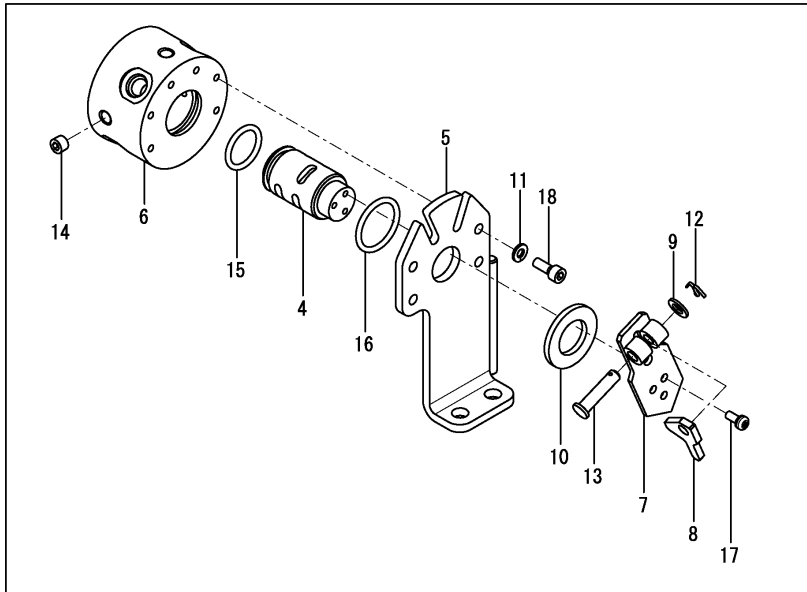


No.	Lev.	Parts No.	Description	Q'ty						I	R
				(A)	(B)	(C)	(D)	(E)	(F)		
1	1	172B03-74560	VALVE ASSY,L-N	1	1	1	1	1	1		
2	2	172151-73400	PLUG	4	4	4	4	4	4		
3	2	172151-73420	SEAL	4	4	4	4	4	4		
4	2	172151-73450	WASHER	4	4	4	4	4	4		
5	2	172A64-74590	PLATE	1	1	1	1	1	1		
6	2	172B03-74590	LEVER	1	1	1	1	1	1		
7	2	172A64-74600	ROD,PUSH	4	4	4	4	4	4		
8	2	172A64-74610	SEAT, SPRING	4	4	4	4	4	4		
9	2	172A64-74620	SPRING	4	4	4	4	4	4		
10	2	172A64-74630	SPRING	4	4	4	4	4	4		
11	2	172A64-74640	JOINT	1	1	1	1	1	1		
12	2	172A64-74650	PLATE	1	1	1	1	1	1		
13	2	172A64-74660	NUT	1	1	1	1	1	1		
14	2	172A64-74680	BELLOWS	1	1	1	1	1	1		
15	2	172B03-74680	HANDLE ASSY,N	1	1	1	1	1	1		
16	3	22853-300161	SCREW, 3.0 X 16	3	3	3	3	3	3		
17	2	172A64-74900	NUT, LOCK	1	1	1	1	1	1		
18	2	172A64-74930	PIN,SPRING	1	1	1	1	1	1		
19	2	24315-000200	O-RING, 1BP20.0	4	4	4	4	4	4		
20	1	172A78-74650	PLATE ASSY,VALVE	1	1	1	1	1	1		
21	1	26013-060302	BOLT, M6X 30	3	3	3	3	3	3		

Fig.111. 2-WAY VALVE

(A)=VIO25-6A P(US)  
 (B)=VIO25-6A C(US)  
 (C)=VIO25-6A P(AS)

(D)=VIO25-6A C(AS)  
 (E)=VIO25-6A P(NZ)  
 (F)=VIO25-6A C(NZ)

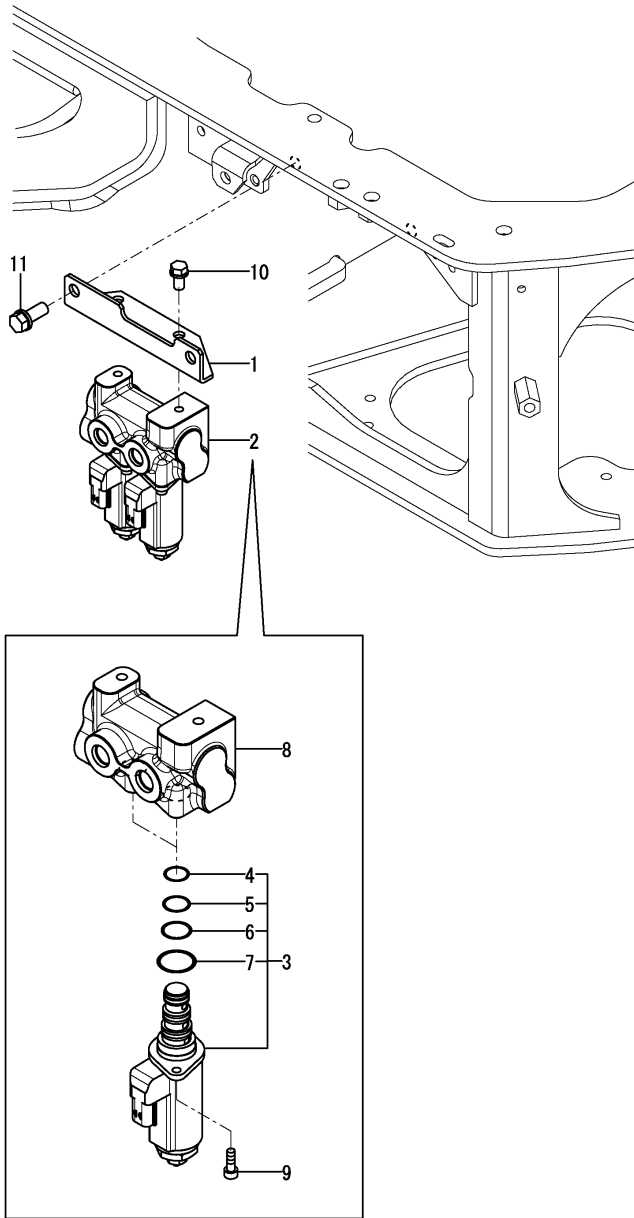


No.	Lev.	Parts No.	Description	Q'ty						I	R
				(A)	(B)	(C)	(D)	(E)	(F)		
1	1	172157-58830	KNOB, 6.5X18X35	1	1	1	1	1	1		
2	1	172B16-74450	STAY, PARTITION	1	1	1	1	1	1		
3	1	172B16-74700	VALVE ASSY, 2WAY	1	1	1	1	1	1		
4	2	172437-74711	SHAFT	1	1	1	1	1	1		
5	2	172B16-74710	BRACKET ASSY,2WAY	1	1	1	1	1	1		
6	2	172437-74720	BLOCK,VALVE	1	1	1	1	1	1		
7	2	172A36-74750	LEVER	1	1	1	1	1	1		
8	2	172A36-74780	PLATE,LOCK	1	1	1	1	1	1		
9	2	22117-080000	WASHER, 8	1	1	1	1	1	1		
10	2	22137-240000	WASHER, 24	1	1	1	1	1	1		
11	2	22217-060000	WASHER, SPRING 6	4	4	4	4	4	4		
12	2	22417-200160	PIN, COTTER 2.0X16	1	1	1	1	1	1		
13	2	22487-080300	PIN, H 8X 30	1	1	1	1	1	1		
14	2	23871-010000	PLUG, R01	4	4	4	4	4	4		
15	2	24311-000250	O-RING, 1AP25.0	1	1	1	1	1	1		
16	2	24311-000320	O-RING, 1AP32.0	1	1	1	1	1	1		
17	2	26022-050122	SCREW, M5X12	3	3	3	3	3	3		
18	2	26450-060162	BOLT, M6X 16	4	4	4	4	4	4		
19	1	172151-76050	JOINT	1	1	1	1	1	1		
20	1	26013-100252	BOLT, M10X 25	2	2	2	2	2	2		
21	1	26013-100252	BOLT, M10X 25	2	2	2	2	2	2		

Fig.112. SOLENOID VALVE(P.T.O.)

(A)=VIO25-6A P(US)  
 (B)=VIO25-6A C(US)  
 (C)=VIO25-6A P(AS)

(D)=VIO25-6A C(AS)  
 (E)=VIO25-6A P(NZ)  
 (F)=VIO25-6A C(NZ)



No.	Lev.	Parts No.	Description	Q'ty						I	R
				(A)	(B)	(C)	(D)	(E)	(F)		
1	1	172B16-74680	BRACKET,SOL K	1	1	1	1	1	1		
2	1	172B03-74720	VALVE ASSY,PP	1	1	1	1	1	1		
3	2	172B03-74750	CARTRIDGE ASSY,P1.6A	2	2	2	2	2	2		
4	3	172B03-74860	O-RING, 1B AS 013	2	2	2	2	2	2		
5	3	172B03-74870	O-RING, 1B AS 014	2	2	2	2	2	2		
6	3	172B03-74880	O-RING, 1B AS 015	2	2	2	2	2	2		
7	3	24315-000200	O-RING, 1BP20.0	2	2	2	2	2	2		
8	2	172B03-74770	BLOCK, 2	1	1	1	1	1	1		
9	2	172B03-74790	BOLT, 10.9 M5X12	4	4	4	4	4	4		
10	1	26013-080162	BOLT, M8X 16	2	2	2	2	2	2		
11	1	26013-100252	BOLT, M10X 25	2	2	2	2	2	2		



Fig.113. SELECTOR VALVE

(A)=VIO25-6A P(US)  
 (B)=VIO25-6A C(US)  
 (C)=VIO25-6A P(AS)

(D)=VIO25-6A C(AS)  
 (E)=VIO25-6A P(NZ)  
 (F)=VIO25-6A C(NZ)

No.	Lev.	Parts No.	Description	Q'ty						I	R
				(A)	(B)	(C)	(D)	(E)	(F)		
1	1	172B16-74650	BRACKET ASSY, SELEC	1	1	1	1	1	1		
2	1	26013-080162	BOLT, M8X 16	2	2	2	2	2	2		
3	1	26013-100202	BOLT, M10X 20	2	2	2	2	2	2		
4	1	26013-100452	BOLT, M10X 45	1	1	1	1	1	1		
5	1	172B16-74400	VALVE ASSY,SELECTOR	1	1	1	1	1	1		

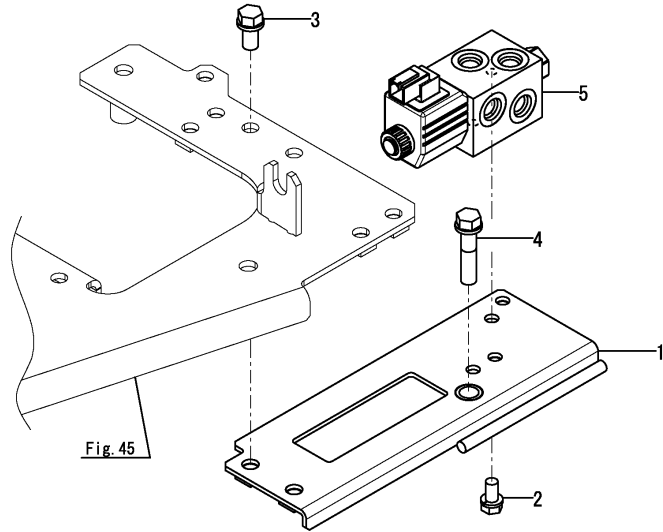
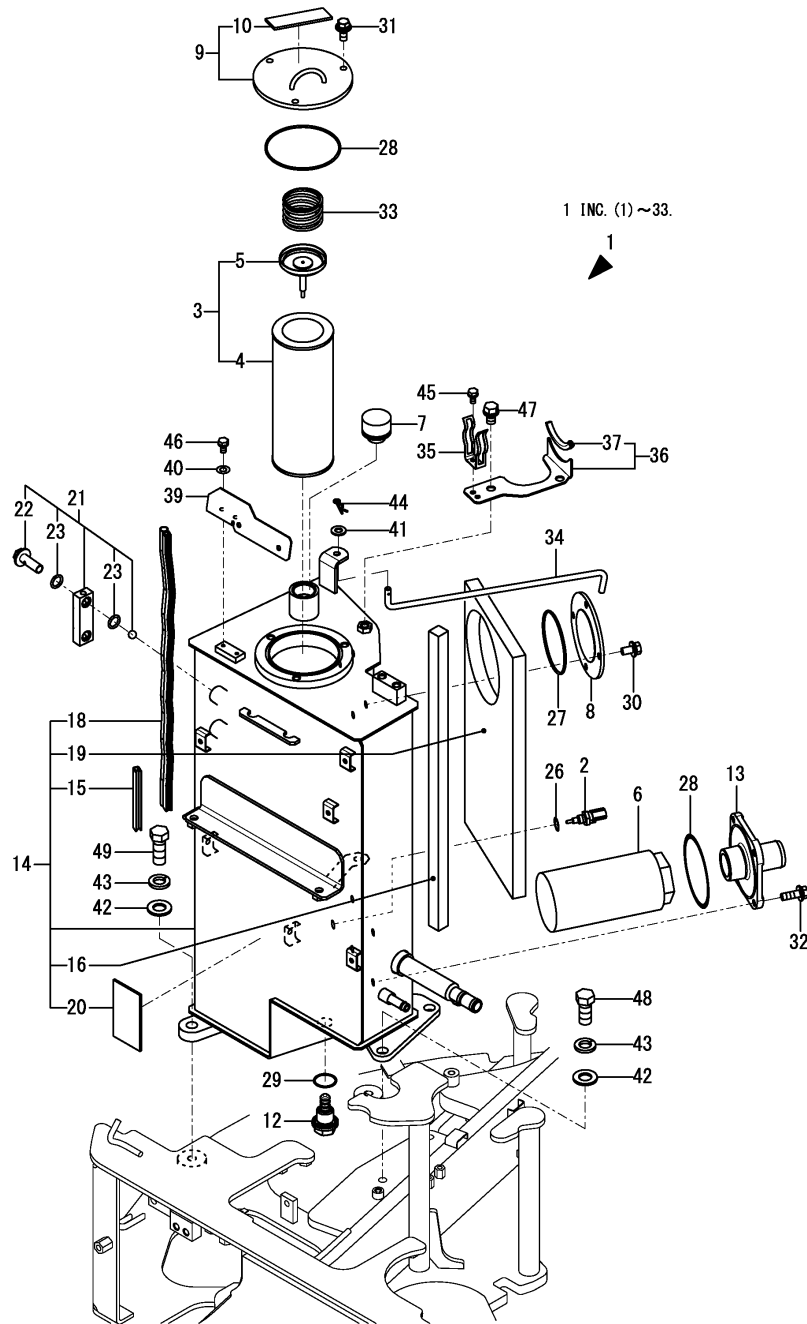


Fig.114. HYD. OIL TANK

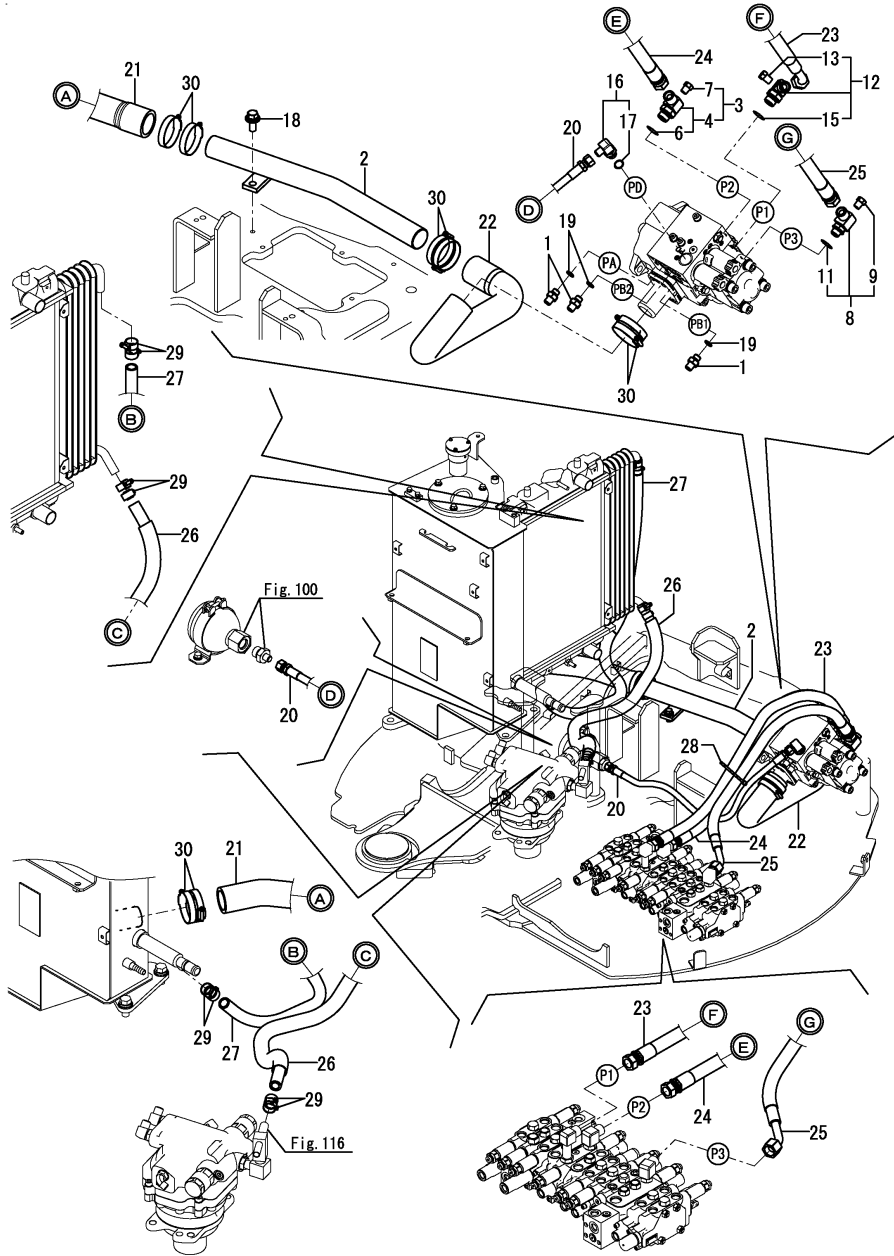
(A)=VIO25-6A P(US)  
 (B)=VIO25-6A C(US)  
 (C)=VIO25-6A P(AS)

(D)=VIO25-6A C(AS)  
 (E)=VIO25-6A P(NZ)  
 (F)=VIO25-6A C(NZ)



No.	Lev.	Parts No.	Description	Q'ty						I	R
				(A)	(B)	(C)	(D)	(E)	(F)		
1	1	172B16-08370	RESERVOIR KIT, US	1	1	1	1	1	1		
2	2	129927-44900	SENSOR, WATER TEMP.	1	1	1	1	1	1		
3	2	172175-73700	FILTER ASSY, RETURN	1	1	1	1	1	1		
4	3	172175-73710	ELEMENT, FILTER	1	1	1	1	1	1		
5	3	172141-73770	VALVE ASSY, BY-PASS	1	1	1	1	1	1		
6	2	172146-73730	FILTER, SUCTION	1	1	1	1	1	1		
7	2	172446-75250	CAP, RESERVER	1	1	1	1	1	1		
8	2	172B16-75400	COVER,RESERVOIR	1	1	1	1	1	1		
9	2	172B16-75430	COVER ASSY	1	1	1	1	1	1		
10	3	172447-14330	RUBBER PLATE-B,FUEL	1	1	1	1	1	1		
12	2	172187-75500	PLUG	1	1	1	1	1	1		
13	2	172A46-75500	FLANGE, SUCTION	1	1	1	1	1	1		
14	2	172B16-75501	RESERVOIR ASSY,US	1	1	1	1	1	1		
15	3	172146-62880	RUBBER	1	1	1	1	1	1		
16	3	172458-75070	SEAL	1	1	1	1	1	1		
18	3	172B16-75450	RUBBER, SEAL 495	1	1	1	1	1	1		
19	3	172B16-75460	SPONGE, COVER C	1	1	1	1	1	1		
20	3	172B16-75470	RUBBER,PLATE	1	1	1	1	1	1		
21	2	172447-75600	GAUGE ASSY	1	1	1	1	1	1		
22	3	172455-75290	BOLT	2	2	2	2	2	2		
23	3	172455-75300	O-RING	4	4	4	4	4	4		
26	2	22190-120002	WASHER, SEAL 12	1	1	1	1	1	1		
27	2	24321-000900	O-RING, 1AG90.0	1	1	1	1	1	1		
28	2	24321-001050	O-RING, 1AG105.0	2	2	2	2	2	2		
29	2	24341-000300	O-RING, 1AS30.0	1	1	1	1	1	1		
30	2	26014-080162	BOLT, M8X 16	4	4	4	4	4	4		
31	2	26014-080202	BOLT, M8X 20	3	3	3	3	3	3		
32	2	26014-080252	BOLT, M8X 25	4	4	4	4	4	4		
33	2	933152-02710	SPRING, CLUTCH	1	1	1	1	1	1		
34	1	172A47-13780	HOOK	1	1	1	1	1	1		
35	1	172122-55061	BRACKET, PUMP	1	1	1	1	1	1		
36	1	172B16-75301	PLATE ASSY,GREASEGUN	1	1	1	1	1	1		
37	2	172175-65641	TRIM	1	1	1	1	1	1		
39	1	172B16-75351	BRACKET ASSY, FUSE	1	1	1	1	1	1		
40	1	22137-060000	WASHER, 6	2	2	2	2	2	2		
41	1	22137-080000	WASHER, 8	1	1	1	1	1	1		
42	1	22137-140000	WASHER, 14	4	4	4	4	4	4		
43	1	22217-140000	WASHER, SPRING 14	4	4	4	4	4	4		
44	1	22372-080000	PIN, SNAP 8	1	1	1	1	1	1		
45	1	26013-060102	BOLT, M6X 10	2	2	2	2	2	2		
46	1	26013-060122	BOLT, M6X 12	2	2	2	2	2	2		
47	1	26013-100162	BOLT, M10X 16	2	2	2	2	2	2		
48	1	26116-140302	BOLT, M14X 30 PLATED	2	2	2	2	2	2		
49	1	26116-140352	BOLT, M14X 35 PLATED	2	2	2	2	2	2		

Fig.115. TANK - PUMP & CONTROL VALVE



(A)=VIO25-6A P(US)  
 (B)=VIO25-6A C(US)  
 (C)=VIO25-6A P(AS)

(D)=VIO25-6A C(AS)  
 (E)=VIO25-6A P(NZ)  
 (F)=VIO25-6A C(NZ)

No.	Lev.	Parts No.	Description	Q'ty						I	R
				(A)	(B)	(C)	(D)	(E)	(F)		
1	1	172123-76121	ADAPTER	3	3	3	3	3	3		
2	1	172487-76410	TUBE ASSY, SUCTION	1	1	1	1	1	1		
2-1	1	172B16-76410	TUBE ASSY, SUCTION	1	1	1	1	1	1		N
		(A=*2014.09)	(B=*2014.09)	(C=*2014.09)	(D=*2014.09)	(E=*2014.09)	(F=*2014.09)				
3	1	172460-76560	CONNECTOR, PF1/2	1	1	1	1	1	1		
4	2	172165-76230	CONNECTOR ASSY,PF1/2	1	1	1	1	1	1		
6	3	24315-000180	O-RING, 1BP18.0	1	1	1	1	1	1		
7	2	172460-76570	PLUG, SCREW	1	1	1	1	1	1		
8	1	172A25-76570	CONNECTOR ASSY	1	1	1	1	1	1		
9	2	172460-76570	PLUG, SCREW	1	1	1	1	1	1		
11	2	24315-000140	O-RING, 1BP14.0	1	1	1	1	1	1		
12	1	172A24-76900	CONNECTOR ASSY, 1/2	1	1	1	1	1	1		
13	2	172460-76570	PLUG, SCREW	1	1	1	1	1	1		
15	2	24315-000180	O-RING, 1BP18.0	1	1	1	1	1	1		
16	1	172141-76920	CONNECTOR ASSY	1	1	1	1	1	1		
17	2	24315-000140	O-RING, 1BP14.0	1	1	1	1	1	1		
18	1	26014-100252	BOLT, M10X 25	2	2	2	2	2	2		
19	1	41851-000110	O-RING	3	3	3	3	3	3		
20	1	172B16-78070	HOSE, F403BB072S	1	1	1	1	1	1		
21	1	172B16-78080	HOSE, 38.1X42.2	1	1	1	1	1	1		
22	1	172A23-78090	HOSE 42.5 55.2	1	1	1	1	1	1		
23	1	172B16-78110	HOSE, H208BE077S	1	1	1	1	1	1		
24	1	172B16-78120	HOSE, H208BB068S	1	1	1	1	1	1		
25	1	172B16-78130	HOSE, H208BE069S	1	1	1	1	1	1		
26	1	172B16-78140	HOSE, G610YY088S	1	1	1	1	1	1		
27	1	172B16-78150	HOSE, G610YY105S	1	1	1	1	1	1		
28	1	172122-79930	CLAMP, HOSE	1	1	1	1	1	1		
29	1	23001-022000	CLAMP, HOSE 22	8	8	8	8	8	8		
30	1	23001-060000	CLAMP, HOSE 60	8	8	8	8	8	8		

Remarks

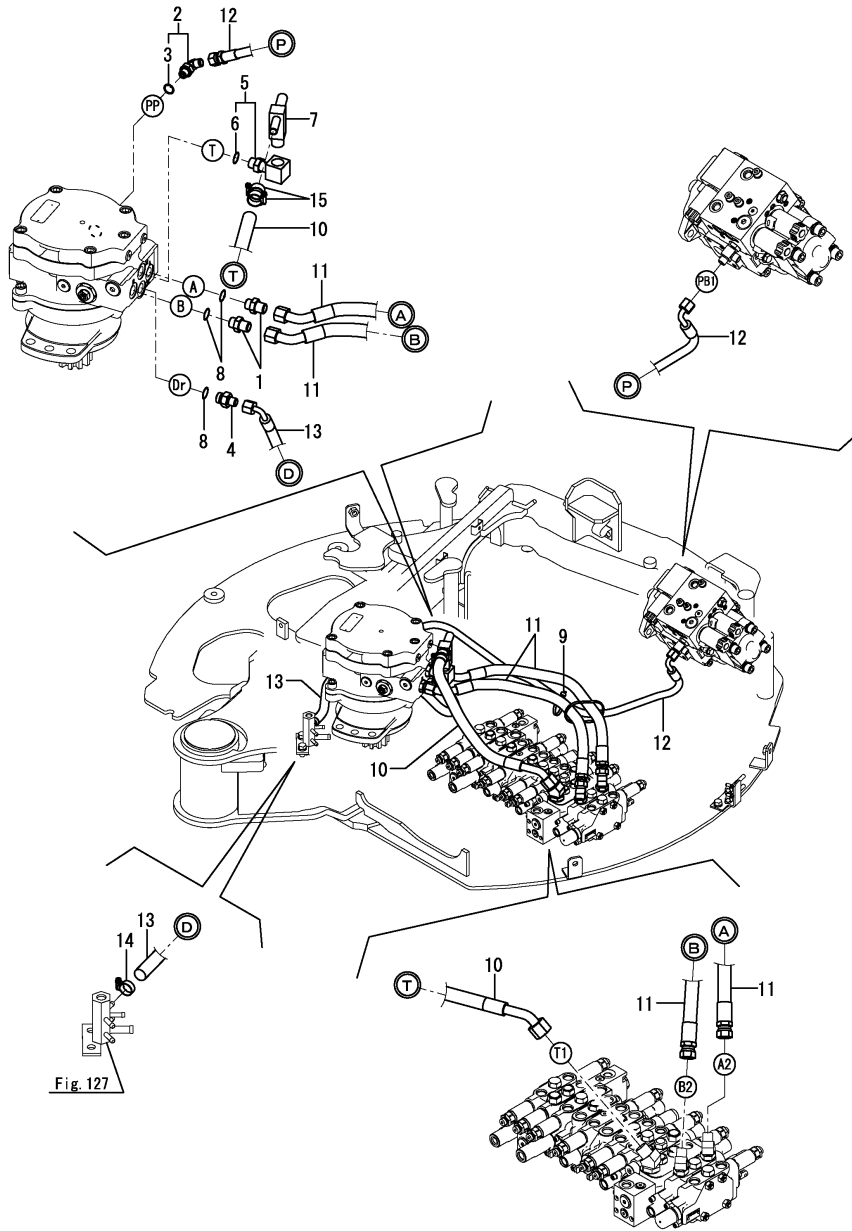
\* Fitting(control valve) is shown in Fig.117 & 118.

N:Old  $\begin{matrix} \leftarrow \text{Yes} \\ \text{No} \end{matrix}$  New, Q:Old  $\begin{matrix} \text{No} \\ \leftarrow \text{Yes} \end{matrix}$  New, R:Old  $\begin{matrix} \text{Yes} \\ \leftarrow \text{No} \end{matrix}$  New, S:Old  $\begin{matrix} \text{No} \\ \leftarrow \text{Yes} \end{matrix}$  New, W:Add, Z:Discontinued, F:Interchangeable by set, K:Q'ty Change

Fig.116. CONTROL VALVE - TURNING MOTOR

(A)=VIO25-6A P(US)  
 (B)=VIO25-6A C(US)  
 (C)=VIO25-6A P(AS)

(D)=VIO25-6A C(AS)  
 (E)=VIO25-6A P(NZ)  
 (F)=VIO25-6A C(NZ)



No.	Lev.	Parts No.	Description	Q'ty						I	R
				(A)	(B)	(C)	(D)	(E)	(F)		
1	1	172730-75141	ADAPTER	2	2	2	2	2	2		
2	1	172B03-76010	ELBOW	1	1	1	1	1	1		
3	2	41851-000110	O-RING	1	1	1	1	1	1		
4	1	172124-76160	CONNECTOR	1	1	1	1	1	1		
5	1	172458-76160	ELBOW	1	1	1	1	1	1		
6	2	24315-000140	O-RING, 1BP14.0	1	1	1	1	1	1		
7	1	172458-76230	CONNECTOR, T JOINT	1	1	1	1	1	1		
8	1	41851-000140	O-RING	3	3	3	3	3	3		
9	1	172126-11510	BAND	1	1	1	1	1	1		
10	1	172B16-78870	HOSE, G608EY046S	1	1	1	1	1	1		
11	1	172B16-78900	HOSE, H206BE059S	2	2	2	2	2	2		
12	1	172B16-78910	HOSE, F403BC076S	1	1	1	1	1	1		
13	1	172B16-78920	HOSE, G804CY060S	1	1	1	1	1	1		
14	1	23000-013000	CLAMP, 13	1	1	1	1	1	1		
15	1	23001-022000	CLAMP, HOSE 22	2	2	2	2	2	2		

Remarks

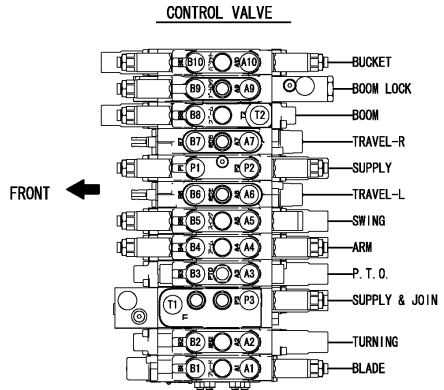
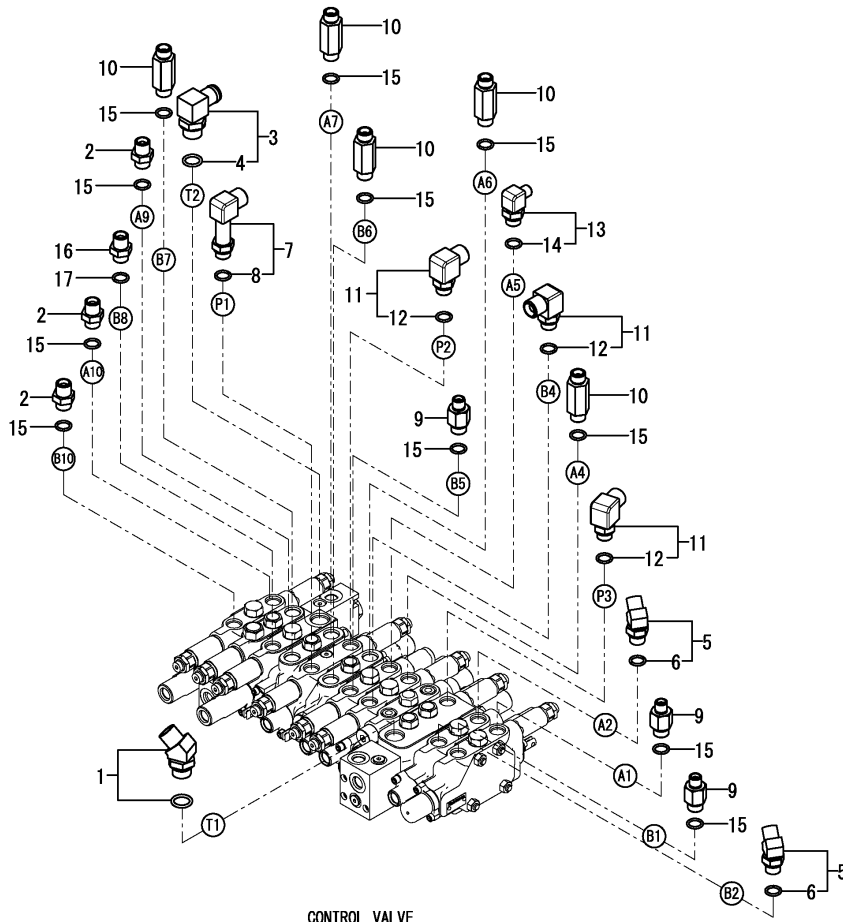
\* Fitting(control valve) is shown in Fig.117 & 118.

N:Old  $\xrightarrow{\text{Yes}}$  New, Q:Old  $\xrightarrow{\text{No}}$  New, R:Old  $\xrightarrow{\text{Yes}}$  New, S:Old  $\xrightarrow{\text{No}}$  New, W:Add, Z:Discontinued, F:Interchangeable by set, K:Q'ty Change

Fig.117. CONTROL VALVE(FITTING)(1)

(A)=VIO25-6A P(US)  
 (B)=VIO25-6A C(US)  
 (C)=VIO25-6A P(AS)

(D)=VIO25-6A C(AS)  
 (E)=VIO25-6A P(NZ)  
 (F)=VIO25-6A C(NZ)



No.	Lev.	Parts No.	Description	Q'ty						I	R
				(A)	(B)	(C)	(D)	(E)	(F)		
1	1	1D4180-22850	ELBOW, 45 PF1/2	1	1	1	1	1	1		
2	1	172730-75141	ADAPTER	3	3	3	3	3	3		
3	1	172164-76131	ELBOW	1	1	1	1	1	1		
4	2	24315-000180	O-RING, 1BP18.0	1	1	1	1	1	1		
5	1	172644-76161	ELBOW, ADJUST	2	2	2	2	2	2		
6	2	24315-000140	O-RING, 1BP14.0	2	2	2	2	2	2		
7	1	172A64-76160	ELBOW ASSY	1	1	1	1	1	1		
8	2	24315-000140	O-RING, 1BP14.0	1	1	1	1	1	1		
9	1	172147-76260	CONNECTOR, 3/8X1/4	3	3	3	3	3	3		
10	1	172116-76381	ADAPTER, 64	5	5	5	5	5	5		
11	1	172645-76570	CONNECTOR ASSY	3	3	3	3	3	3		
12	2	24315-000140	O-RING, 1BP14.0	3	3	3	3	3	3		
13	1	172141-76920	CONNECTOR ASSY	1	1	1	1	1	1		
14	2	24315-000140	O-RING, 1BP14.0	1	1	1	1	1	1		
15	1	41851-000140	O-RING	11	11	11	11	11	11		
16	1	172730-75141	ADAPTER	1	1	1	1	1	1		
17	1	41851-000140	O-RING	1	1	1	1	1	1		

Fig.118. CONTROL VALVE(FITTING)(2)

(A)=VIO25-6A P(US)  
 (B)=VIO25-6A C(US)  
 (C)=VIO25-6A P(AS)

(D)=VIO25-6A C(AS)  
 (E)=VIO25-6A P(NZ)  
 (F)=VIO25-6A C(NZ)

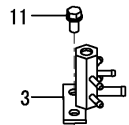
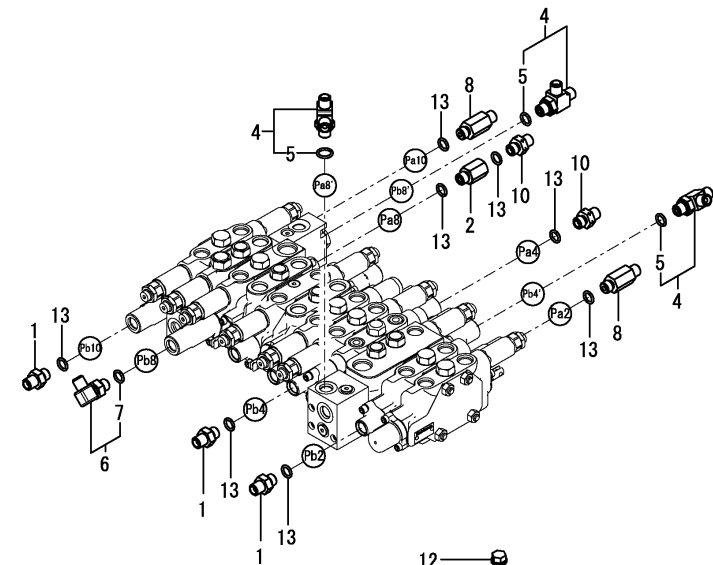


Fig. 54

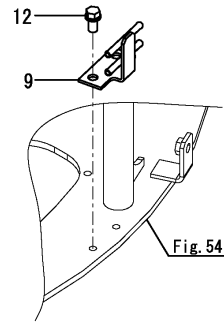
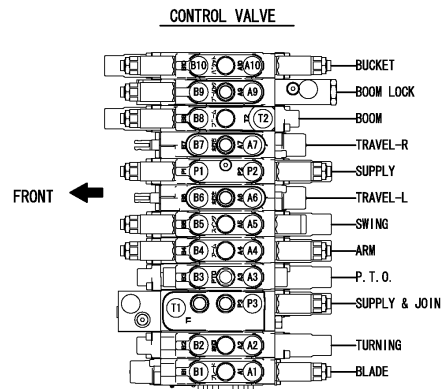
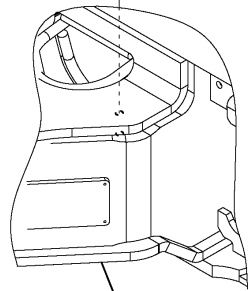


Fig. 54

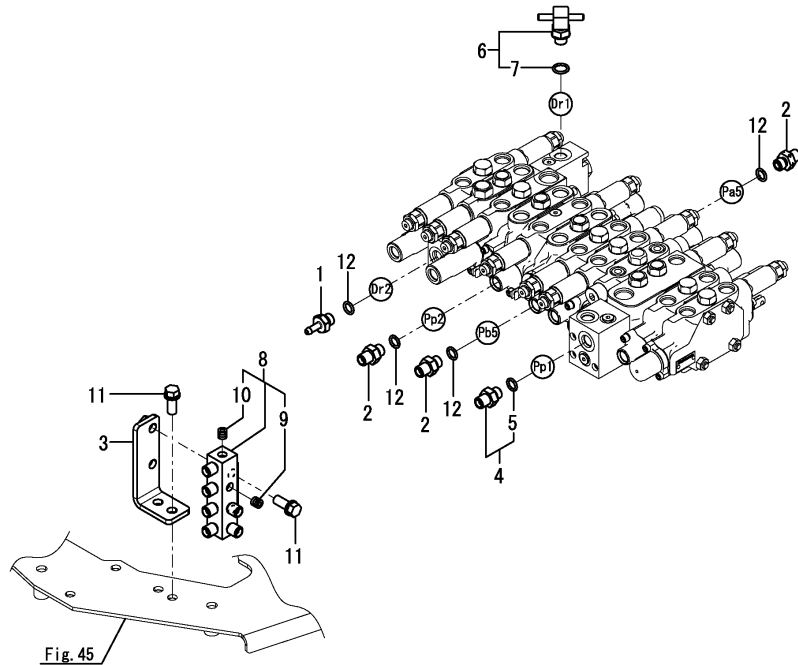


No.	Lev.	Parts No.	Description	Q'ty						I	R
				(A)	(B)	(C)	(D)	(E)	(F)		
1	1	172123-76121	ADAPTER	3	3	3	3	3	3		
2	1	172422-76140	CONNECTOR	1	1	1	1	1	1		
3	1	172445-76153	BLOCK, DRAIN	1	1	1	1	1	1		
4	1	172162-76181	JOINT ASSY	3	3	3	3	3	3		
5	2	41851-000110	O-RING	3	3	3	3	3	3		
6	1	172A47-76180	ELBOW	1	1	1	1	1	1		
7	2	41851-000110	O-RING	1	1	1	1	1	1		
8	1	172183-76200	CONNECTOR	2	2	2	2	2	2		
9	1	172B03-76310	CONNECTOR ASSY	1	1	1	1	1	1		
10	1	172164-76330	JOINT, PF1/4-0.7	2	2	2	2	2	2		
11	1	26013-100202	BOLT, M10X 20	2	2	2	2	2	2		
12	1	26013-100202	BOLT, M10X 20	2	2	2	2	2	2		
13	1	41851-000110	O-RING	8	8	8	8	8	8		

Fig.119. CONTROL VALVE(FITTING)(3)

(A)=VIO25-6A P(US)  
 (B)=VIO25-6A C(US)  
 (C)=VIO25-6A P(AS)

(D)=VIO25-6A C(AS)  
 (E)=VIO25-6A P(NZ)  
 (F)=VIO25-6A C(NZ)



No.	Lev.	Parts No.	Description	Q'ty						I	R
				(A)	(B)	(C)	(D)	(E)	(F)		
1	1	172B03-76080	NIPPLE, G1/4	1	1	1	1	1	1		
2	1	172123-76121	ADAPTER	3	3	3	3	3	3		
3	1	172B16-76171	BRACKET ASSY, P-B	1	1	1	1	1	1		
4	1	172B03-76180	CONNECTOR,FILT G1/4	1	1	1	1	1	1		
5	2	41851-000110	O-RING	1	1	1	1	1	1		
6	1	172A47-76230	NIPPLE, TEE	1	1	1	1	1	1		
7	2	41851-000110	O-RING	1	1	1	1	1	1		
8	1	172A47-76310	BLOCK, PILOT	1	1	1	1	1	1		
9	2	23871-010000	PLUG, R01	1	1	1	1	1	1		
10	2	23871-020000	PLUG, R02	2	2	2	2	2	2		
11	1	26013-100252	BOLT, M10X 25	4	4	4	4	4	4		
12	1	41851-000110	O-RING	4	4	4	4	4	4		

CONTROL VALVE

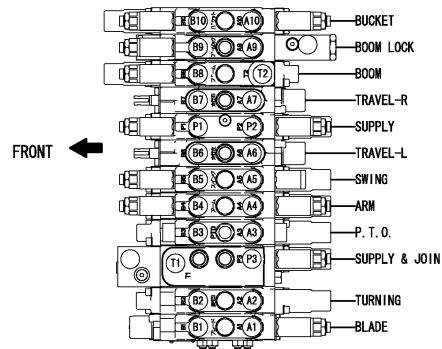
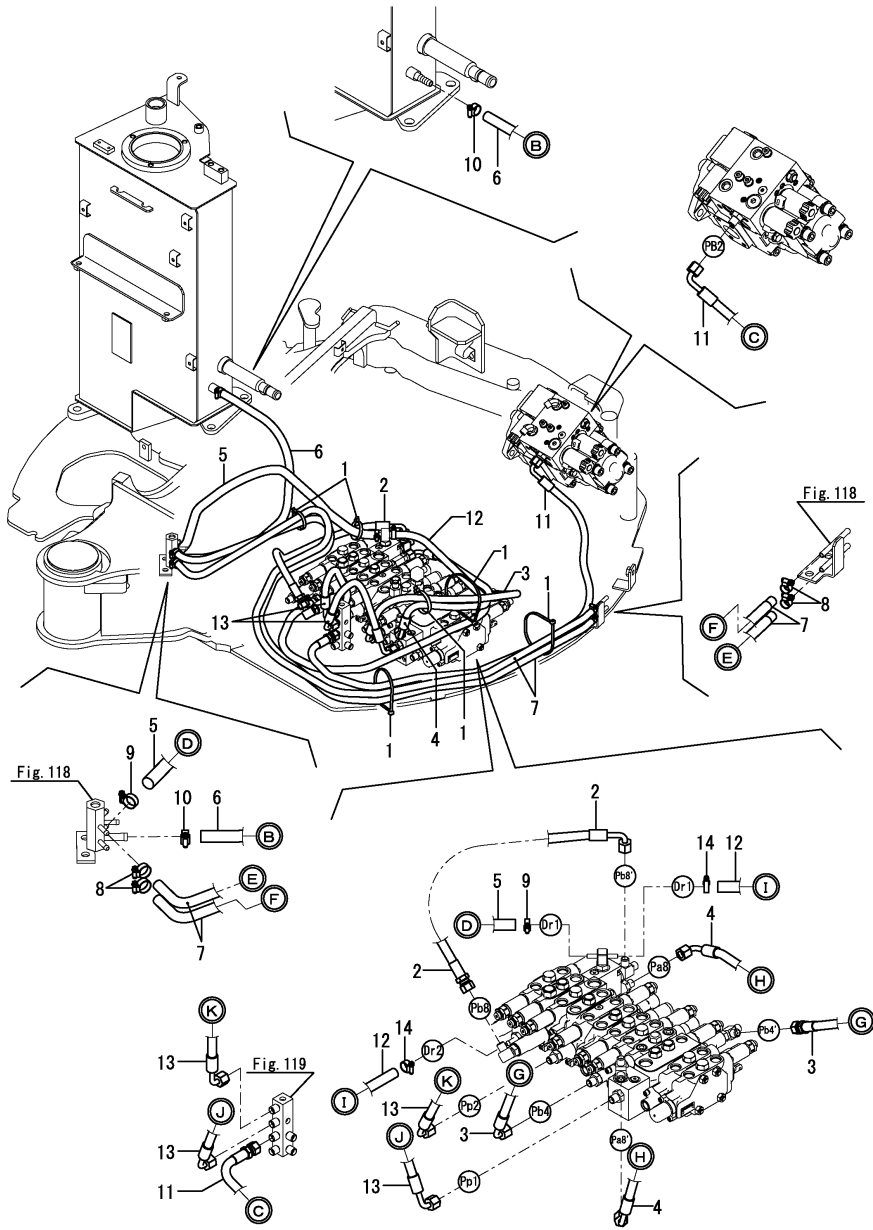


Fig.120. CONTROL VALVE - RETURN & DRAIN

(A)=VIO25-6A P(US)  
 (B)=VIO25-6A C(US)  
 (C)=VIO25-6A P(AS)

(D)=VIO25-6A C(AS)  
 (E)=VIO25-6A P(NZ)  
 (F)=VIO25-6A C(NZ)



No.	Lev.	Parts No.	Description	Q'ty						I	R
				(A)	(B)	(C)	(D)	(E)	(F)		
1	1	172126-11510	BAND	7	7	7	7	7	7		
2	1	172A79-78250	HOSE	1	1	1	1	1	1		
3	1	172A47-78680	HOSE	1	1	1	1	1	1		
4	1	172B16-78710	HOSE, F403CC066	1	1	1	1	1	1		
5	1	172B16-78790	HOSE, G804YY069	1	1	1	1	1	1		
6	1	172B16-78820	HOSE, G606YY063	1	1	1	1	1	1		
7	1	172B16-78840	HOSE, G804YY154S	2	2	2	2	2	2		
8	1	23000-013000	CLAMP, 13	4	4	4	4	4	4		
9	1	23000-013000	CLAMP, 13	2	2	2	2	2	2		
10	1	23001-016000	CLAMP, HOSE 16	2	2	2	2	2	2		
11	1	172B16-78090	HOSE, F403BC107S	1	1	1	1	1	1		
12	1	172B16-78280	HOSE, G804YY104S	1	1	1	1	1	1		
13	1	172B16-79600	HOSE, F403CC036	2	2	2	2	2	2		
14	1	23000-013000	CLAMP, 13	2	2	2	2	2	2		

Remarks

\* Fitting(control valve) is shown in Fig.117, 118 & 119.

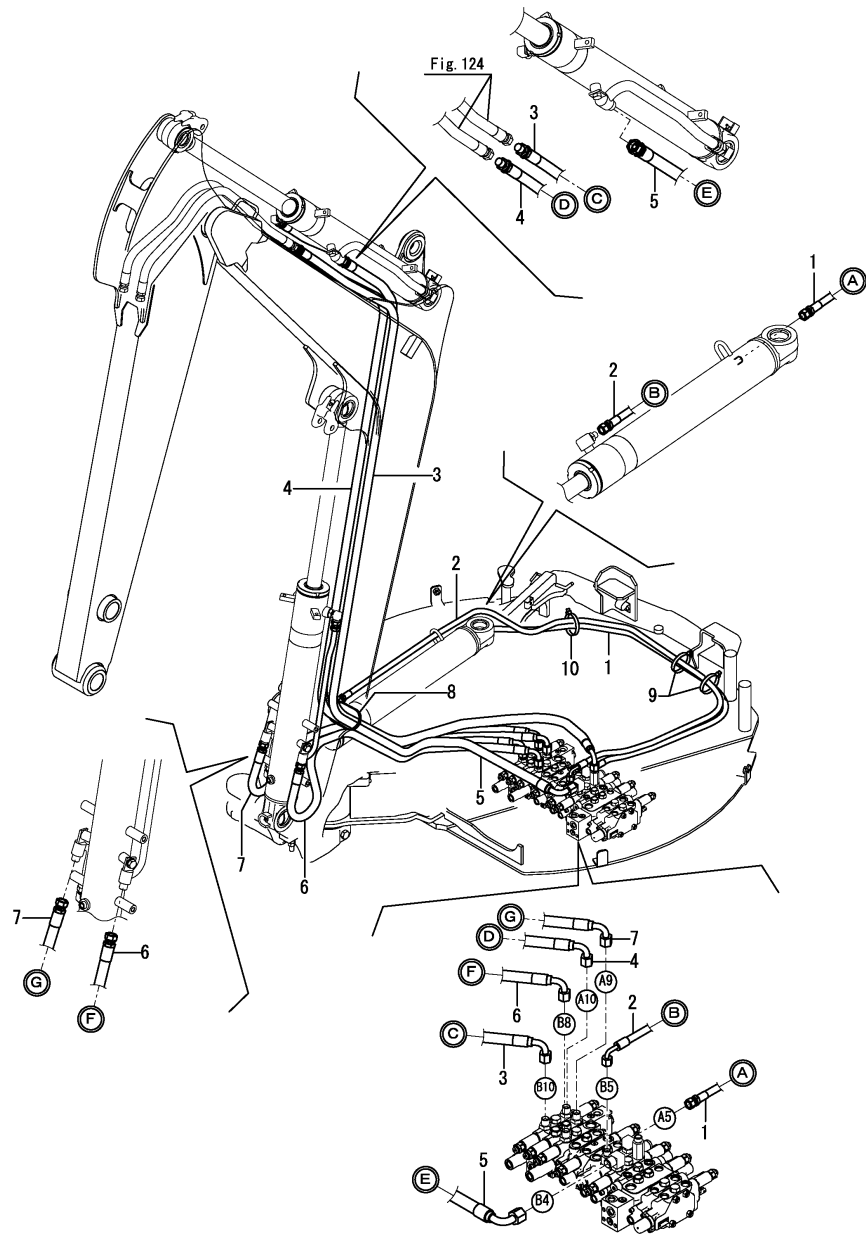
N:Old  $\xrightarrow{\text{Yes}}$  New, Q:Old  $\xrightarrow{\text{No}}$  New, R:Old  $\xrightarrow{\text{Yes}}$  New, S:Old  $\xrightarrow{\text{No}}$  New, W:Add, Z:Discontinued, F:Interchangeable by set, K:Q'ty Change



Fig.121. CONTROL VALVE - BOOM & SWING

(A)=VIO25-6A P(US)  
 (B)=VIO25-6A C(US)  
 (C)=VIO25-6A P(AS)

(D)=VIO25-6A C(AS)  
 (E)=VIO25-6A P(NZ)  
 (F)=VIO25-6A C(NZ)



No.	Lev.	Parts No.	Description	Q'ty						I	R
				(A)	(B)	(C)	(D)	(E)	(F)		
1	1	172456-78200	HOSE	1	1	1	1	1	1		
2	1	172456-78210	HOSE	1	1	1	1	1	1		
3	1	172B16-78720	HOSE, H206CX258K	1	1	1	1	1	1		
4	1	172B16-78730	HOSE, H206CX265K	1	1	1	1	1	1		
5	1	172B16-78740	HOSE, H208BC236K	1	1	1	1	1	1		
6	1	172B16-78760	HOSE, H206BC117W	1	1	1	1	1	1		
7	1	172B16-78770	HOSE, H206BC121W	1	1	1	1	1	1		
8	1	172122-79890	CLAMP, HOSE	1	1	1	1	1	1		
9	1	172122-79890	CLAMP, HOSE	2	2	2	2	2	2		
10	1	1E8490-84130	CLAMP, BAND	1	1	1	1	1	1		W
		(A=*2014.09)	(B=*2014.09)	(C=*2014.09)	(D=*2014.09)	(E=*2014.09)	(F=*2014.09)				

Remarks

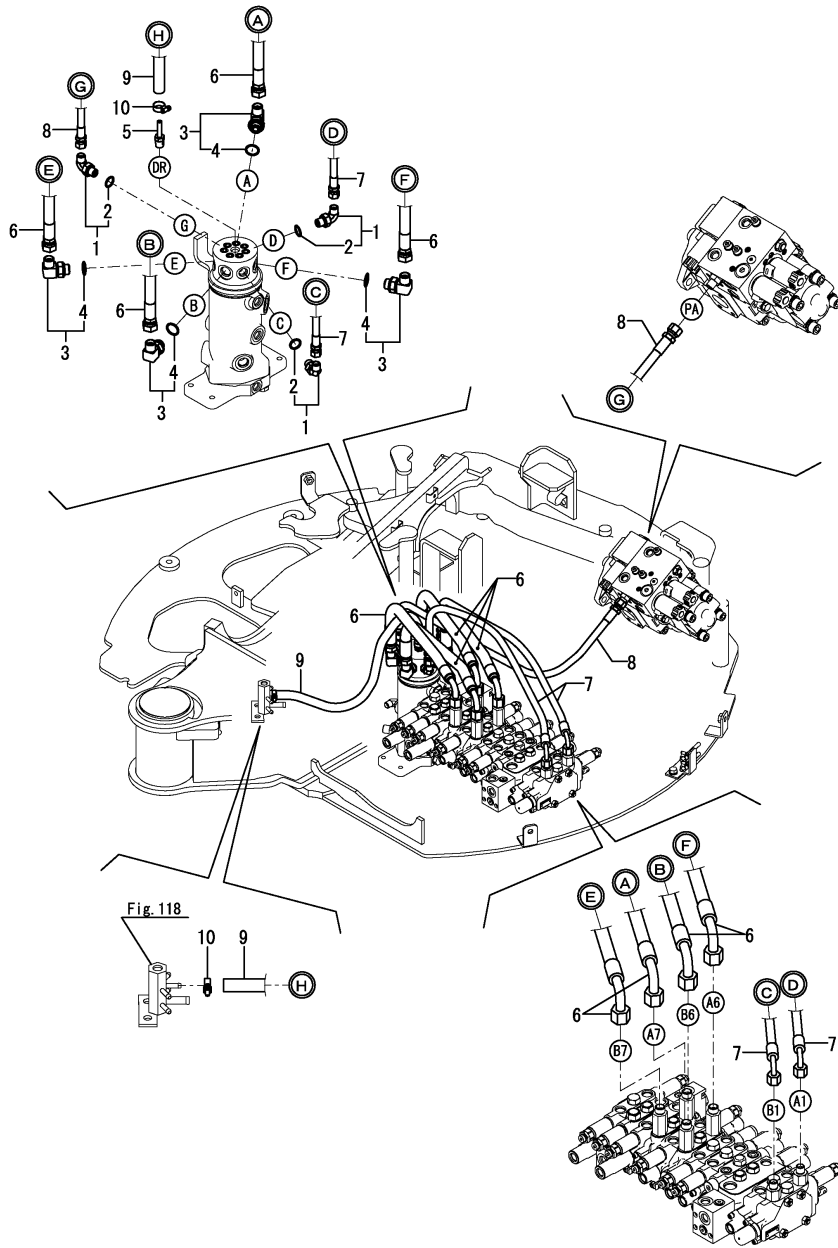
\* Fitting(control valve) is shown in Fig.117 & 118.

N:Old  $\xrightarrow{\text{Yes}}$  New, Q:Old  $\xrightarrow{\text{No}}$  New, R:Old  $\xrightarrow{\text{Yes}}$  New, S:Old  $\xrightarrow{\text{No}}$  New, W:Add, Z:Discontinued, F:Interchangeable by set, K:Q'ty Change

Fig.122. CONTROL VALVE - SWIVEL JOINT

(A)=VIO25-6A P(US)  
 (B)=VIO25-6A C(US)  
 (C)=VIO25-6A P(AS)

(D)=VIO25-6A C(AS)  
 (E)=VIO25-6A P(NZ)  
 (F)=VIO25-6A C(NZ)



No.	Lev.	Parts No.	Description	Q'ty						I	R
				(A)	(B)	(C)	(D)	(E)	(F)		
1	1	172B03-76010	ELBOW	3	3	3	3	3	3		
2	2	41851-000110	O-RING	3	3	3	3	3	3		
3	1	172142-76181	JOINT ASSY	4	4	4	4	4	4		
4	2	24315-000140	O-RING, 1BP14.0	4	4	4	4	4	4		
5	1	172141-76220	NIPPLE, 02	1	1	1	1	1	1		
6	1	172422-78200	HOSE	4	4	4	4	4	4		
7	1	172A20-78220	HOSE	2	2	2	2	2	2		
8	1	172B16-78250	HOSE, F403BB076S	1	1	1	1	1	1		
9	1	172448-78460	HOSE	1	1	1	1	1	1		
10	1	23000-013000	CLAMP, 13	2	2	2	2	2	2		

Remarks

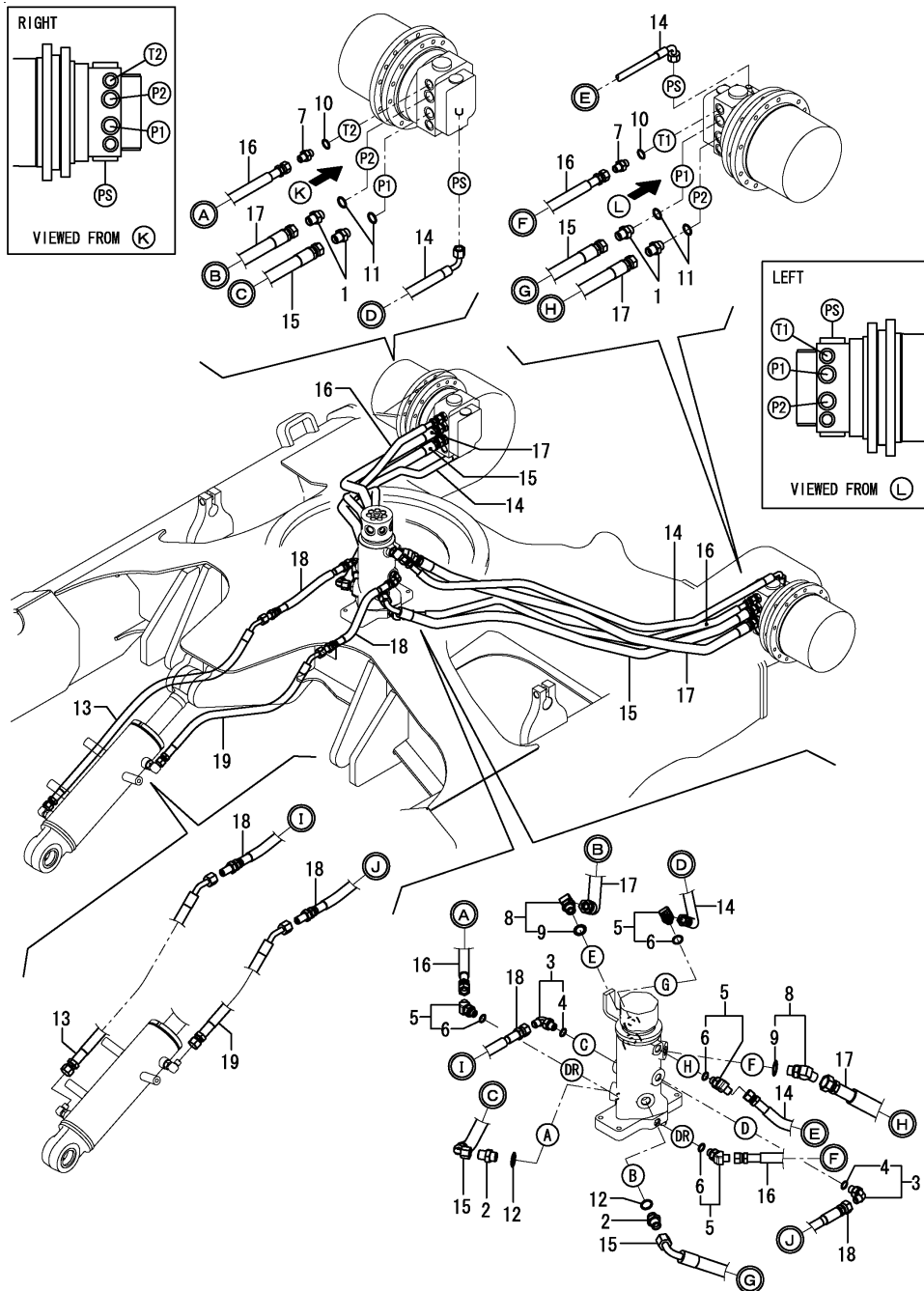
\* Fitting(control valve) is shown in Fig.117 & 118.

N:Old  $\xrightarrow{\text{Yes}}$  New, Q:Old  $\xrightarrow{\text{No}}$  New, R:Old  $\xrightarrow{\text{Yes}}$  New, S:Old  $\xrightarrow{\text{No}}$  New, W:Add, Z:Discontinued, F:Interchangeable by set, K:Q'ty Change

Fig.123. TRAVEL FRAME

(A)=VIO25-6A P(US)  
 (B)=VIO25-6A C(US)  
 (C)=VIO25-6A P(AS)

(D)=VIO25-6A C(AS)  
 (E)=VIO25-6A P(NZ)  
 (F)=VIO25-6A C(NZ)



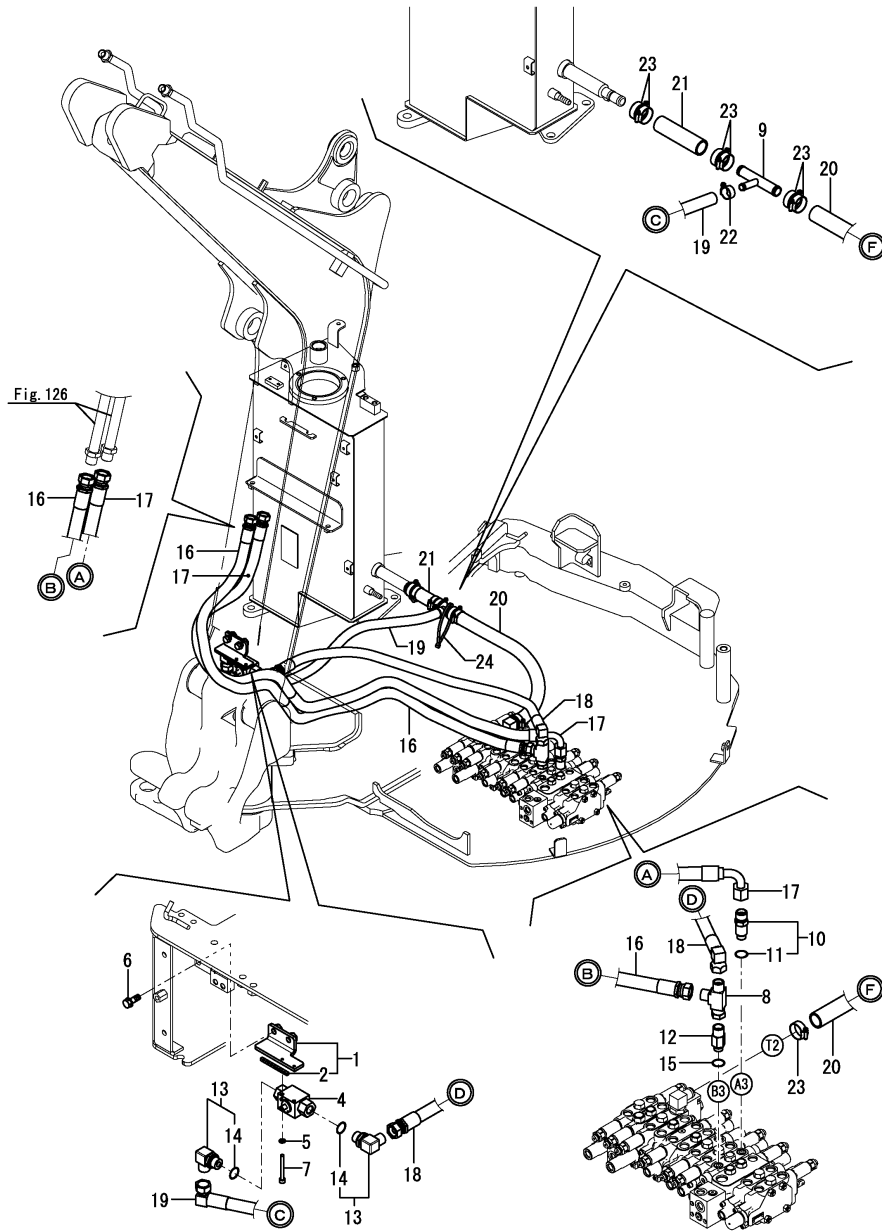
No.	Lev.	Parts No.	Description	Q'ty						I	R
				(A)	(B)	(C)	(D)	(E)	(F)		
1	1	172730-75141	ADAPTER	4	4	4	4	4	4		
2	1	172730-75141	ADAPTER	2	2	2	2	2	2		
3	1	172B03-76010	ELBOW	2	2	2	2	2	2		
4	2	41851-000110	O-RING	2	2	2	2	2	2		
5	1	172173-76102	CONNECTOR ASSY	4	4	4	4	4	4		
6	2	41851-000110	O-RING	4	4	4	4	4	4		
7	1	172123-76121	ADAPTER	2	2	2	2	2	2		
8	1	172644-76161	ELBOW, ADJUST	2	2	2	2	2	2		
9	2	24315-000140	O-RING, 1BP14.0	2	2	2	2	2	2		
10	1	41851-000110	O-RING	2	2	2	2	2	2		
11	1	41851-000140	O-RING	4	4	4	4	4	4		
12	1	41851-000140	O-RING	2	2	2	2	2	2		
13	1	172B16-78200	HOSE, F204BE087W	1	1	1	1	1	1		
14	1	172B16-78210	HOSE, F204BC105W	2	2	2	2	2	2		
15	1	172457-78221	HOSE	2	2	2	2	2	2		
16	1	172B16-78230	HOSE, F204BB092W	2	2	2	2	2	2		
17	1	172B16-78240	HOSE, F206BB096W	2	2	2	2	2	2		
18	1	172B03-78320	HOSE, H204BX027	2	2	2	2	2	2		
19	1	172B03-78330	HOSE, F204BE063W	1	1	1	1	1	1		



Fig.125. P.T.O.(CONTROL VALVE - BOOM)

(A)=VIO25-6A P(US)  
 (B)=VIO25-6A C(US)  
 (C)=VIO25-6A P(AS)

(D)=VIO25-6A C(AS)  
 (E)=VIO25-6A P(NZ)  
 (F)=VIO25-6A C(NZ)



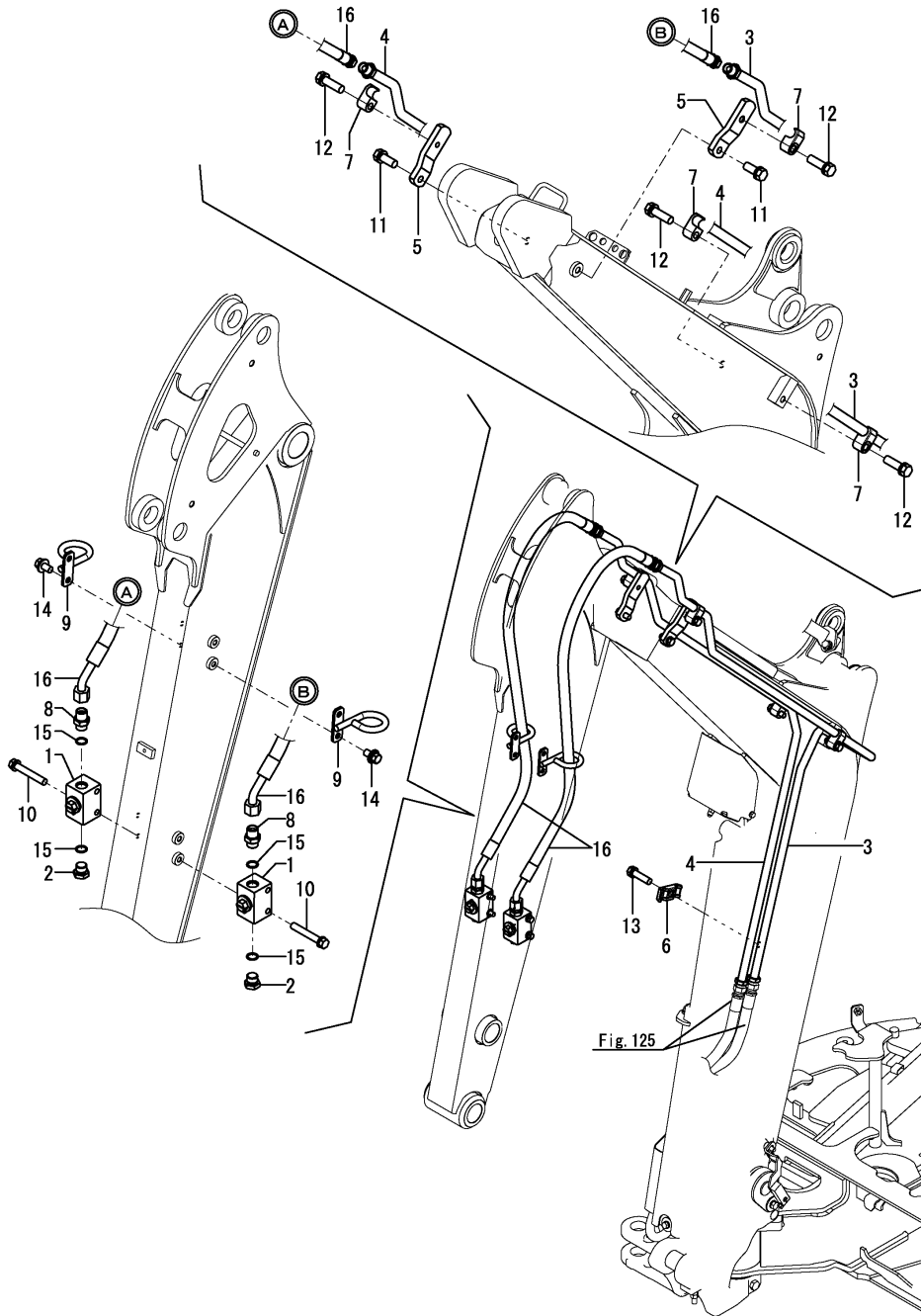
No.	Lev.	Parts No.	Description	Q'ty						I	R
				(A)	(B)	(C)	(D)	(E)	(F)		
1	1	172B16-74760	BRACKET ASSY,STOP-V	1	1	1	1	1	1		
2	2	172A65-64680	SEAL A,COVER D	1	1	1	1	1	1		
4	1	172B16-74800	VALVE ASSY,STOP G1/2	1	1	1	1	1	1		
5	1	22217-050000	WASHER, SPRING 5	2	2	2	2	2	2		
6	1	26013-100252	BOLT, M10X 25	2	2	2	2	2	2		
7	1	26450-050452	BOLT, M5X 45	2	2	2	2	2	2		
8	1	172469-76110	CONNECTOR, 3X1/2	1	1	1	1	1	1		
9	1	172B16-76110	JOINT, T	1	1	1	1	1	1		
10	1	172B03-76170	CONNECTOR, G1/2X3/8S	1	1	1	1	1	1		
11	2	41851-000140	O-RING	1	1	1	1	1	1		
12	1	172422-76180	CONNECTOR, PF3/8X1/2	1	1	1	1	1	1		
13	1	172141-76900	CONNECTOR ASSY	2	2	2	2	2	2		
14	2	24315-000180	O-RING, 1BP18.0	2	2	2	2	2	2		
15	1	41851-000140	O-RING	1	1	1	1	1	1		
16	1	172B16-78300	HOSE, H208BB144K	1	1	1	1	1	1		
17	1	172B16-78310	HOSE, H208BC153K	1	1	1	1	1	1		
18	1	172B16-78320	HOSE, H208BV081S	1	1	1	1	1	1		
19	1	172B16-78330	HOSE, G608VY060S	1	1	1	1	1	1		
20	1	172B16-78340	HOSE, G612YY044	1	1	1	1	1	1		
21	1	172B16-78350	HOSE, G612YY011	1	1	1	1	1	1		
22	1	23001-022000	CLAMP, HOSE 22	1	1	1	1	1	1		
23	1	23001-025000	CLAMP, HOSE 25	7	7	7	7	7	7		
24	1	172126-11510	BAND	1	1	1	1	1	1		

Remarks  
 \* Fitting(control valve) is shown in Fig.117 & 118.

Fig.126. P.T.O.(BOOM - ARM END)

(A)=VIO25-6A P(US)  
 (B)=VIO25-6A C(US)  
 (C)=VIO25-6A P(AS)

(D)=VIO25-6A C(AS)  
 (E)=VIO25-6A P(NZ)  
 (F)=VIO25-6A C(NZ)

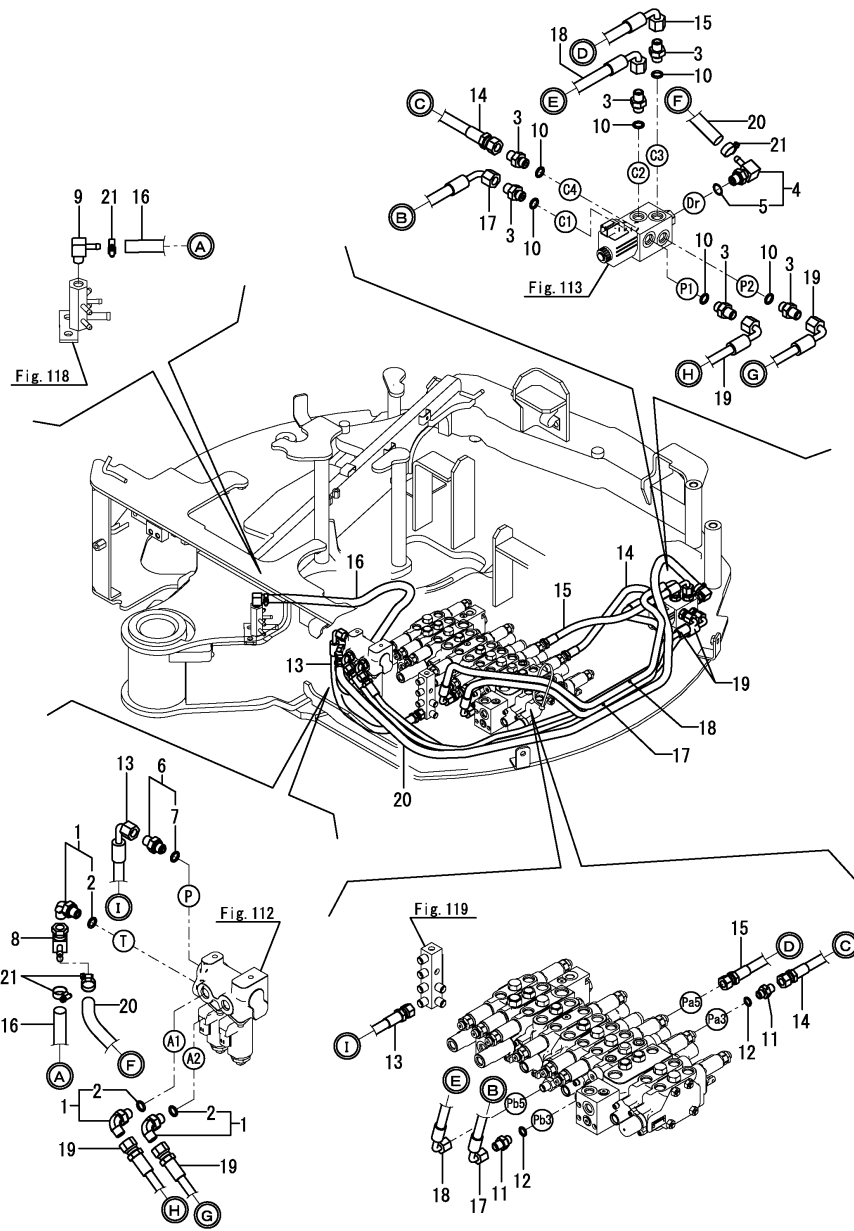


No.	Lev.	Parts No.	Description	Q'ty						I	R
				(A)	(B)	(C)	(D)	(E)	(F)		
1	1	172B03-74900	VALVE ASSY,STOP G1/2	2	2	2	2	2	2		
2	1	172165-76580	PLUG PF1/2,HEX.	2	2	2	2	2	2		
3	1	172B16-76600	TUBE ASSY, PTO L	1	1	1	1	1	1		
4	1	172B16-76620	TUBE ASSY, PTO R	1	1	1	1	1	1		
5	1	172458-76680-Y	STAY	2	2	2	2	2	2		
6	1	172175-76750-Y	CLAMP, PLUMBING 1/2	1	1	1	1	1	1		
7	1	172142-76950-Y	CLAMP, 1/2	4	4	4	4	4	4		
8	1	172112-77361	CONNECTOR	2	2	2	2	2	2		
9	1	172B03-77900	GUIDE ASSY, HOSE	2	2	2	2	2	2		
10	1	26013-100652	BOLT, M10X 65	4	4	4	4	4	4		
11	1	26013-120302	BOLT, M12X 30	2	2	2	2	2	2		
12	1	26013-120402	BOLT, M12X 40	4	4	4	4	4	4		
13	1	26013-120452	BOLT, M12X 45	1	1	1	1	1	1		
14	1	26014-100202	BOLT, M10X 20	4	4	4	4	4	4		
15	1	41851-000180	O-RING	4	4	4	4	4	4		
16	1	172B16-78370	HOSE, H208BE118W	2	2	2	2	2	2		

Fig.127. P.T.O.(SOLENOID VALVE & SELECTOR VALVE)

(A)=VIO25-6A P(US)  
 (B)=VIO25-6A C(US)  
 (C)=VIO25-6A P(AS)

(D)=VIO25-6A C(AS)  
 (E)=VIO25-6A P(NZ)  
 (F)=VIO25-6A C(NZ)



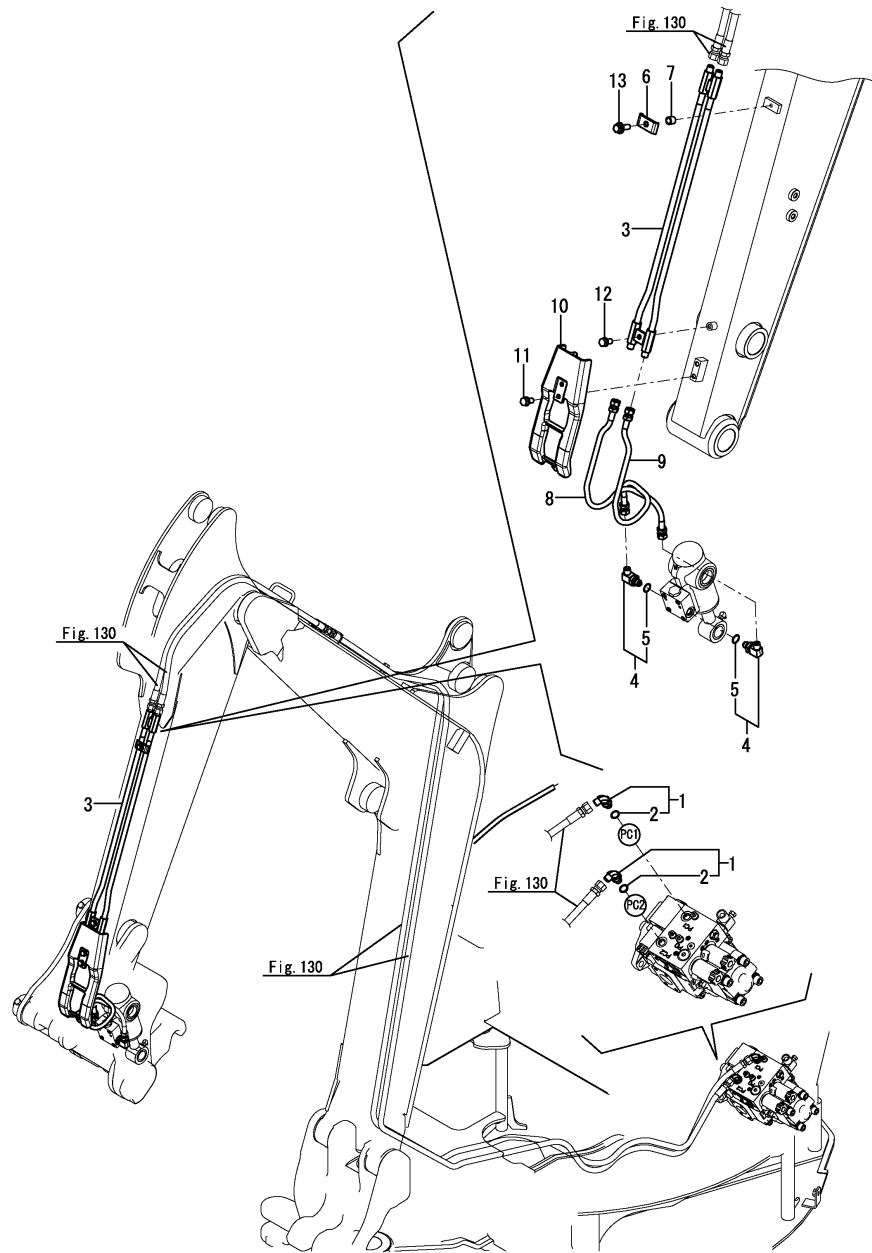
No.	Lev.	Parts No.	Description	Q'ty						I	R
				(A)	(B)	(C)	(D)	(E)	(F)		
1	1	172B03-76010	ELBOW	3	3	3	3	3	3		
2	2	41851-000110	O-RING	3	3	3	3	3	3		
3	1	172123-76121	ADAPTER	6	6	6	6	6	6		
4	1	172458-76150	NIPPLE, ELBOW	1	1	1	1	1	1		
5	2	24315-000110	O-RING, 1BP11.0	1	1	1	1	1	1		
6	1	172B03-76180	CONNECTOR, FILT G1/4	1	1	1	1	1	1		
7	2	41851-000110	O-RING	1	1	1	1	1	1		
8	1	172A47-76320	NIPPLE	1	1	1	1	1	1		
9	1	172186-76390	NIPPLE, ELBOW	1	1	1	1	1	1		
10	1	41851-000110	O-RING	6	6	6	6	6	6		
11	1	172123-76121	ADAPTER	2	2	2	2	2	2		
12	1	41851-000110	O-RING	2	2	2	2	2	2		
13	1	172A79-78620	HOSE F403BC040S	1	1	1	1	1	1		
14	1	172B03-78640	HOSE, F403BB041S	1	1	1	1	1	1		
15	1	172B16-78930	HOSE, F403BC037S	1	1	1	1	1	1		
16	1	172B16-78950	HOSE, G804YY085S	1	1	1	1	1	1		
17	1	172B16-78960	HOSE, F403CC093S	1	1	1	1	1	1		
18	1	172B16-78970	HOSE, F403CC091S	1	1	1	1	1	1		
19	1	172B16-78980	HOSE, F403BC099	2	2	2	2	2	2		
20	1	172B03-79250	HOSE, G804YY134S	1	1	1	1	1	1		
21	1	23000-013000	CLAMP, 13	4	4	4	4	4	4		

Remarks  
 \* Fitting(control valve) is shown in Fig.117, 118 & 119.

Fig.128. QUICK COUPLER(1)(US, NZ SPEC.)

(A)=VIO25-6A P(US)  
 (B)=VIO25-6A C(US)  
 (C)=VIO25-6A P(AS)

(D)=VIO25-6A C(AS)  
 (E)=VIO25-6A P(NZ)  
 (F)=VIO25-6A C(NZ)



No.	Lev.	Parts No.	Description	Q'ty						I	R
				(A)	(B)	(C)	(D)	(E)	(F)		
1	1	172B03-76010	ELBOW	2	2			2	2		
2	2	41851-000110	O-RING	2	2			2	2		
3	1	172958-76102-Y	TUBE, HITCH	1	1			1	1		
4	1	172958-76130	ELBOW	2	2			2	2		
5	2	24315-000110	O-RING, 1BP11.0	2	2			2	2		
6	1	172110-76170	PLATE	1	1			1	1		
7	1	172137-76580	COLLAR	1	1			1	1		
8	1	172958-78200	HOSE	1	1			1	1		
9	1	172958-78210	HOSE	1	1			1	1		
10	1	172958-81904-Y	COVER, ARM	1	1			1	1		
11	1	26013-080162	BOLT, M8X 16	2	2			2	2		
12	1	26013-080162	BOLT, M8X 16	1	1			1	1		
13	1	26014-080252	BOLT, M8X 25	1	1			1	1		

Remarks

\* AS specification are shown in Fig.129.

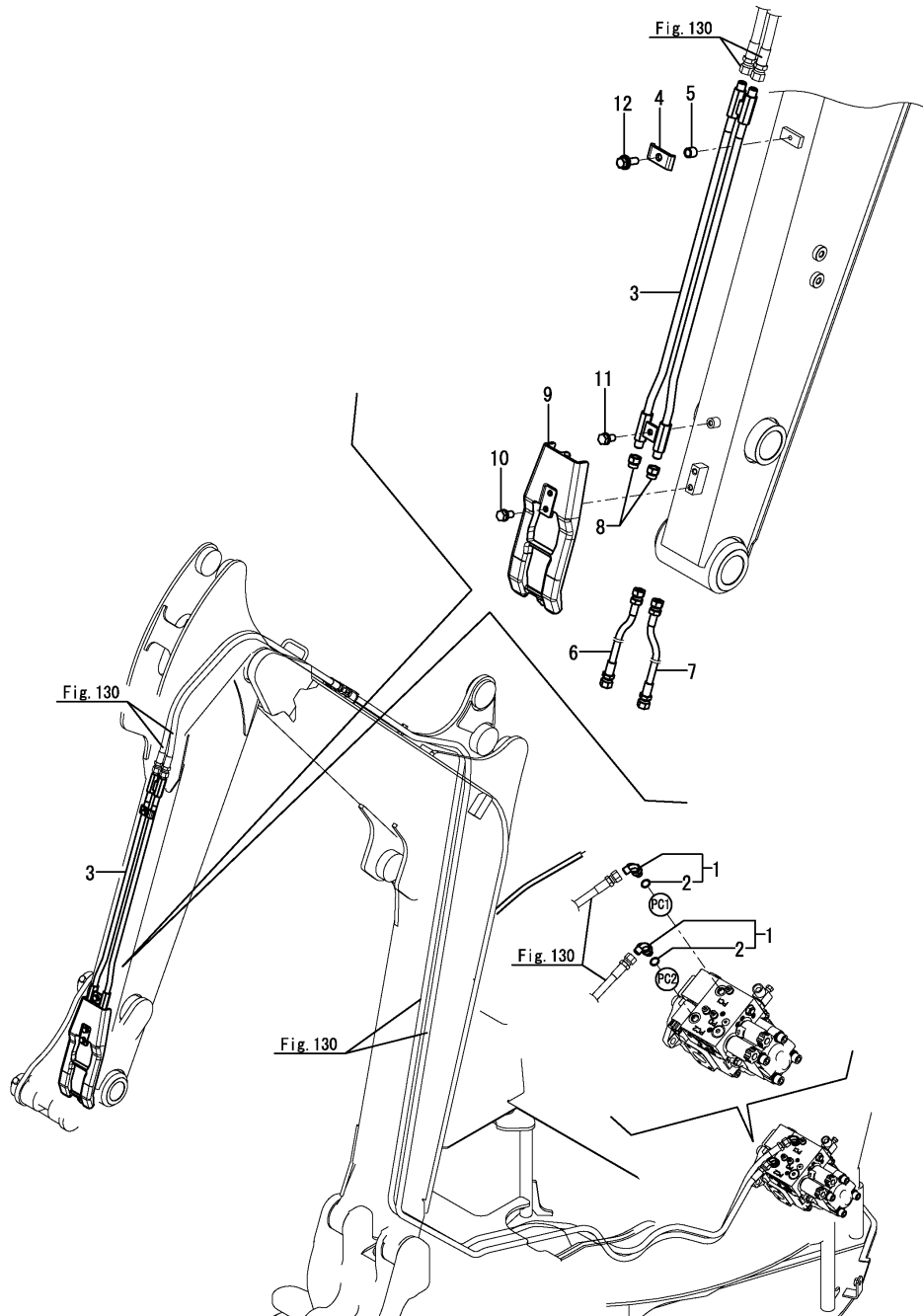
N:Old  $\xrightarrow{\text{Yes}}$  New, Q:Old  $\xrightarrow{\text{No}}$  New, R:Old  $\xrightarrow{\text{Yes}}$  New, S:Old  $\xrightarrow{\text{No}}$  New, W:Add, Z:Discontinued, F:Interchangeable by set, K:Q'ty Change



Fig.129. QUICK COUPLER(1)(AS SPEC.)

(A)=VIO25-6A P(US)  
 (B)=VIO25-6A C(US)  
 (C)=VIO25-6A P(AS)

(D)=VIO25-6A C(AS)  
 (E)=VIO25-6A P(NZ)  
 (F)=VIO25-6A C(NZ)

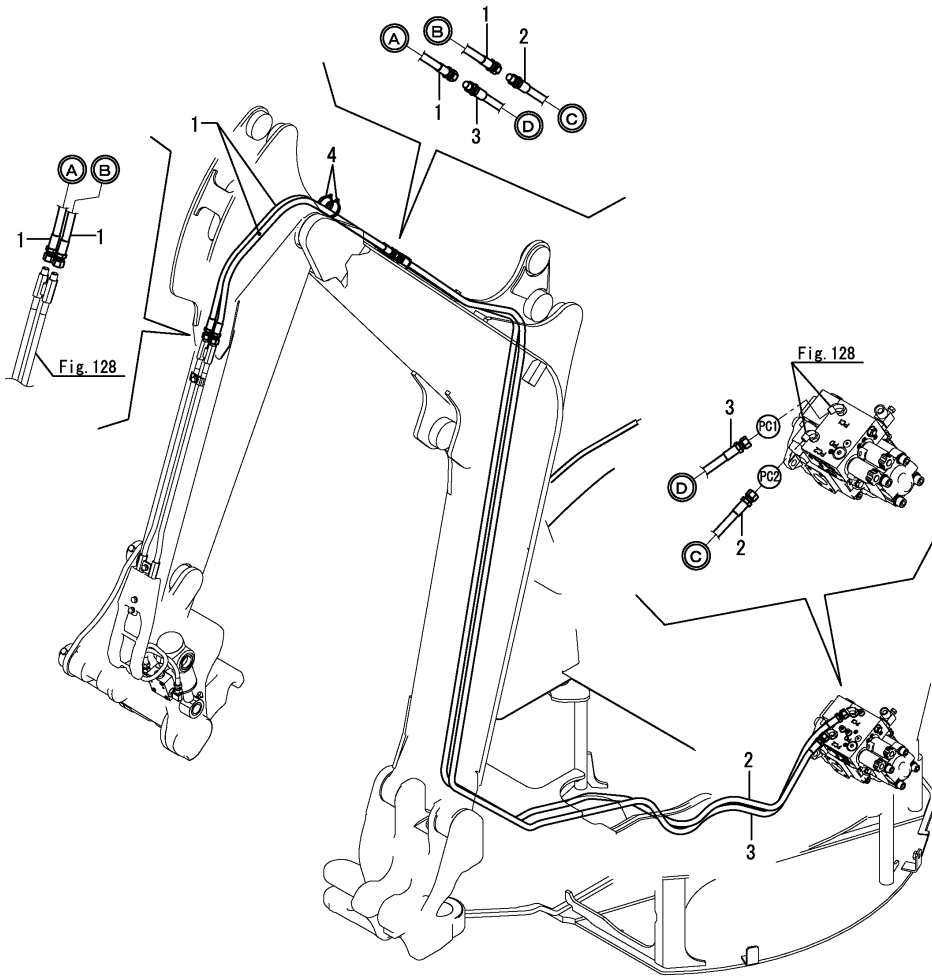


No.	Lev.	Parts No.	Description	Q'ty						I	R
				(A)	(B)	(C)	(D)	(E)	(F)		
1	1	172B03-76010	ELBOW			2	2				
2	2	41851-000110	O-RING			1	1				
3	1	172958-76102-Y	TUBE, HITCH			1	1				
4	1	172110-76170	PLATE			1	1				
5	1	172137-76580	COLLAR			1	1				
6	1	172958-78200	HOSE			1	1				
7	1	172958-78210	HOSE			1	1				
8	1	1E3030-78370	CAP, SCREW			2	2				
9	1	172958-81904-Y	COVER, ARM			1	1				
10	1	26013-080162	BOLT, M8X 16			2	2				
11	1	26013-080162	BOLT, M8X 16			1	1				
12	1	26014-080252	BOLT, M8X 25			1	1				

Fig.130. QUICK COUPLER(2)

(A)=VIO25-6A P(US)  
 (B)=VIO25-6A C(US)  
 (C)=VIO25-6A P(AS)

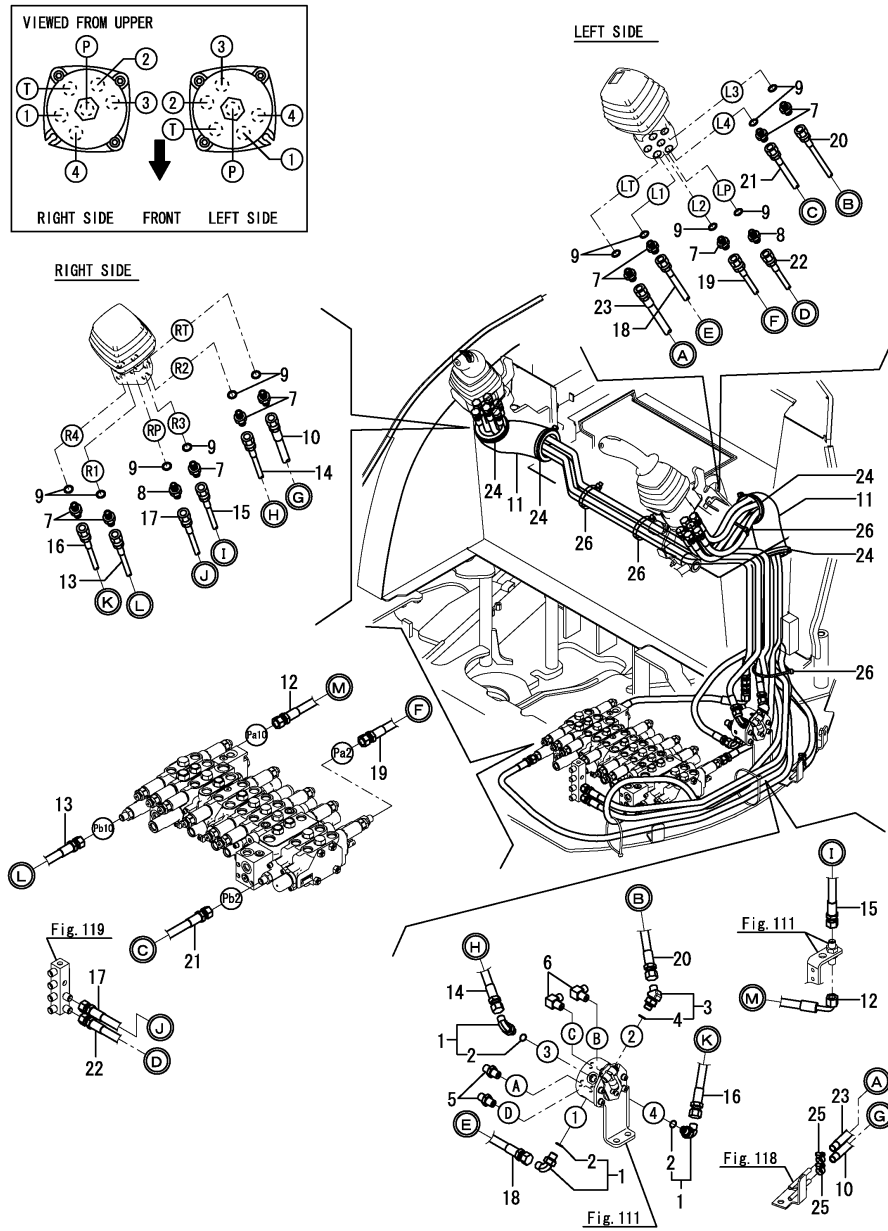
(D)=VIO25-6A C(AS)  
 (E)=VIO25-6A P(NZ)  
 (F)=VIO25-6A C(NZ)



No.	Lev.	Parts No.	Description	Q'ty						I	R
				(A)	(B)	(C)	(D)	(E)	(F)		
1	1	172B16-78020	HOSE, H604BB117K	2	2	2	2	2	2		
2	1	172956-78100	HOSE	1	1	1	1	1	1		
3	1	172956-78110	HOSE	1	1	1	1	1	1		
4	1	172122-79930	CLAMP, HOSE	2	2	2	2	2	2		

(A)=VIO25-6A P(US)  
 (B)=VIO25-6A C(US)  
 (C)=VIO25-6A P(AS)

(D)=VIO25-6A C(AS)  
 (E)=VIO25-6A P(NZ)  
 (F)=VIO25-6A C(NZ)



No.	Lev.	Parts No.	Description	Q'ty						I	R
				(A)	(B)	(C)	(D)	(E)	(F)		
1	1	172B03-76010	ELBOW	3	3	3	3	3	3		
2	2	41851-000110	O-RING	3	3	3	3	3	3		
3	1	172173-76102	CONNECTOR ASSY	1	1	1	1	1	1		
4	2	41851-000110	O-RING	1	1	1	1	1	1		
5	1	23391-020000	JOINT, RGI-1/4	2	2	2	2	2	2		
6	1	23393-020000	JOINT, 90RGI-1/4	2	2	2	2	2	2		
7	1	172123-76121	ADAPTER	10	10	10	10	10	10		
8	1	172455-76220	CONNECTOR	2	2	2	2	2	2		
9	1	41851-000110	O-RING	12	12	12	12	12	12		
10	1	172B16-78470	HOSE, G804BY167	1	1	1	1	1	1		
11	1	172458-78571	SPONGE, HOSE	2	2	2	2	2	2		
12	1	172B03-78760	HOSE, F403BC035	1	1	1	1	1	1		
13	1	172B16-79400	HOSE, F403BB247S	1	1	1	1	1	1		
14	1	172B16-79410	HOSE, F403BB143	1	1	1	1	1	1		
15	1	172B16-79420	HOSE, F403BB143	1	1	1	1	1	1		
16	1	172B16-79440	HOSE, F403BB151	1	1	1	1	1	1		
17	1	172B16-79460	HOSE, F403BB209	1	1	1	1	1	1		
18	1	172B16-79480	HOSE, F403BB101	1	1	1	1	1	1		
19	1	172B16-79490	HOSE, F403BB106	1	1	1	1	1	1		
20	1	172B16-79500	HOSE, F403BB084	1	1	1	1	1	1		
21	1	172B16-79510	HOSE, F403BB165	1	1	1	1	1	1		
22	1	172B16-79520	HOSE, F403BB153	1	1	1	1	1	1		
23	1	172B16-79530	HOSE, G804BY101	1	1	1	1	1	1		
24	1	172122-79930	CLAMP, HOSE	4	4	4	4	4	4		
25	1	23000-013000	CLAMP, 13	2	2	2	2	2	2		
26	1	172126-11510	BAND	4	4	4	4	4	4		

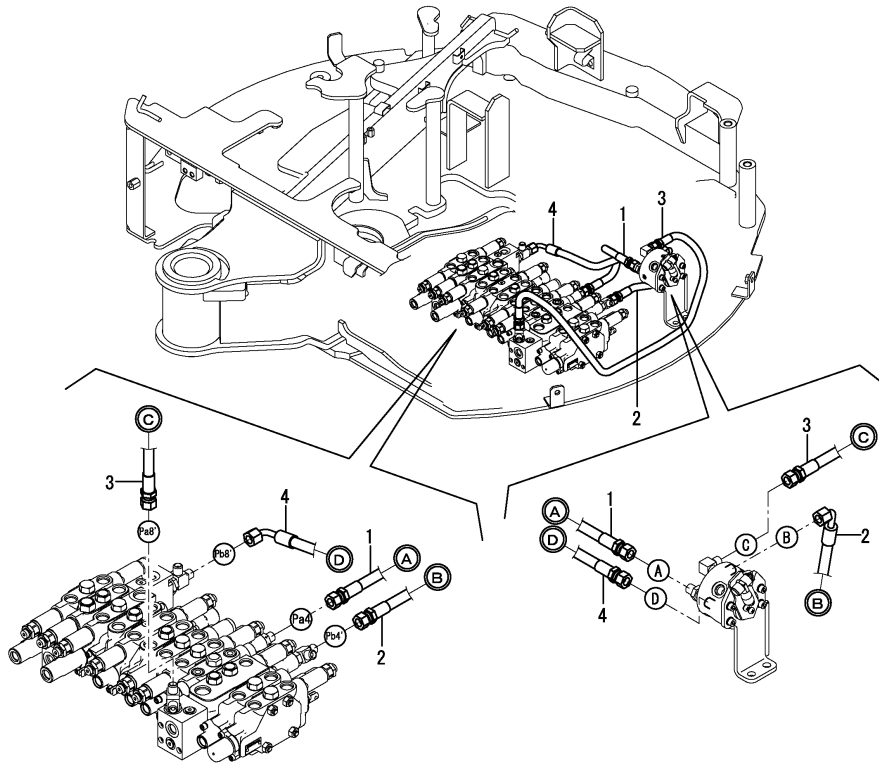
Remarks  
 \* Fitting(control valve) is shown in Fig.117 & 118.

Fig.132. CONTROL PIPING(2)

(A)=VIO25-6A P(US)  
 (B)=VIO25-6A C(US)  
 (C)=VIO25-6A P(AS)

(D)=VIO25-6A C(AS)  
 (E)=VIO25-6A P(NZ)  
 (F)=VIO25-6A C(NZ)

No.	Lev.	Parts No.	Description	Q'ty						I	R
				(A)	(B)	(C)	(D)	(E)	(F)		
1	1	172B16-79540	HOSE, F403BB026	1	1	1	1	1	1		
2	1	172B16-79550	HOSE, F403BC020	1	1	1	1	1	1		
3	1	172B16-79560	HOSE, F403BB090S	1	1	1	1	1	1		
4	1	172B16-79570	HOSE, F403BC029S	1	1	1	1	1	1		



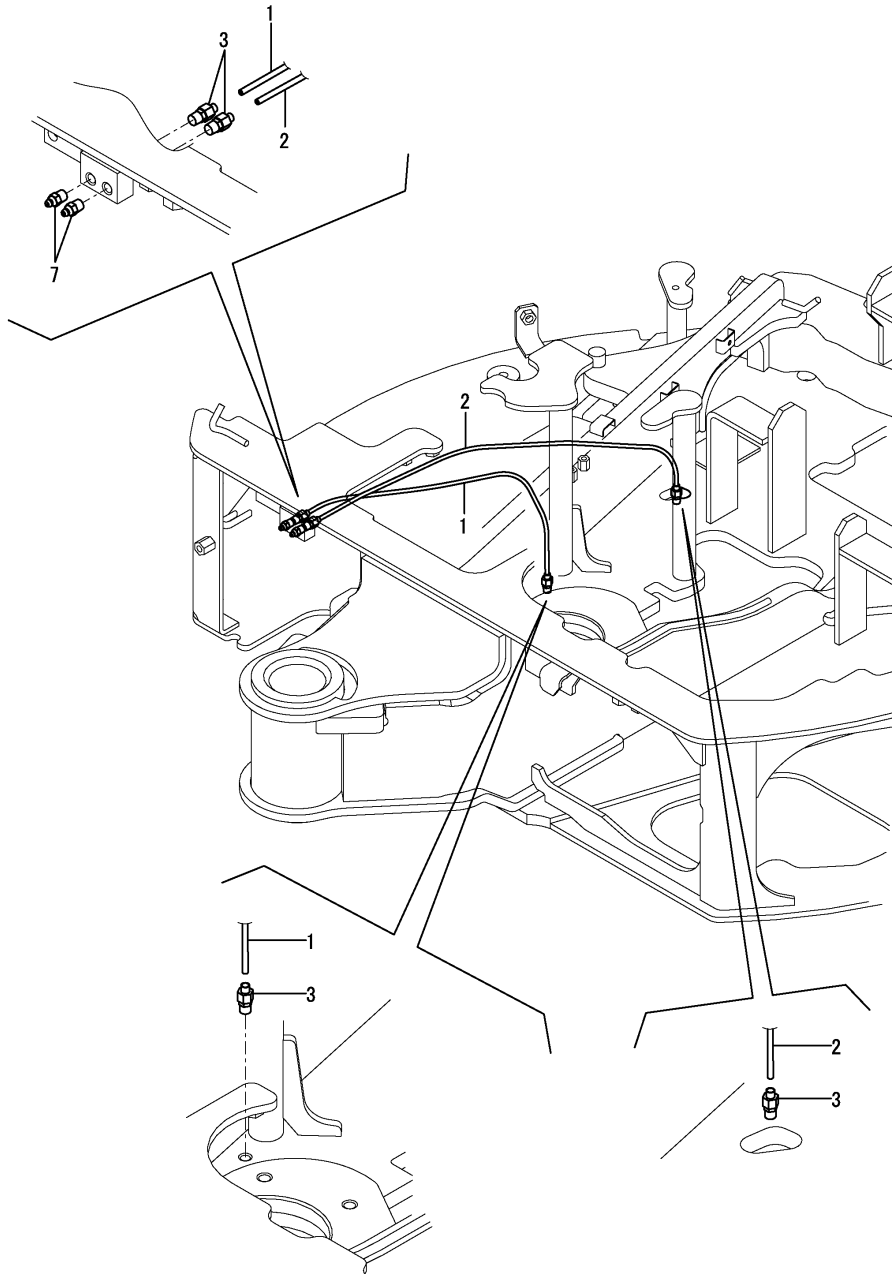
Remarks

\* Fitting(control valve) is shown in Fig.117 & 118.

Fig.133. GREASING

(A)=VIO25-6A P(US)  
 (B)=VIO25-6A C(US)  
 (C)=VIO25-6A P(AS)

(D)=VIO25-6A C(AS)  
 (E)=VIO25-6A P(NZ)  
 (F)=VIO25-6A C(NZ)

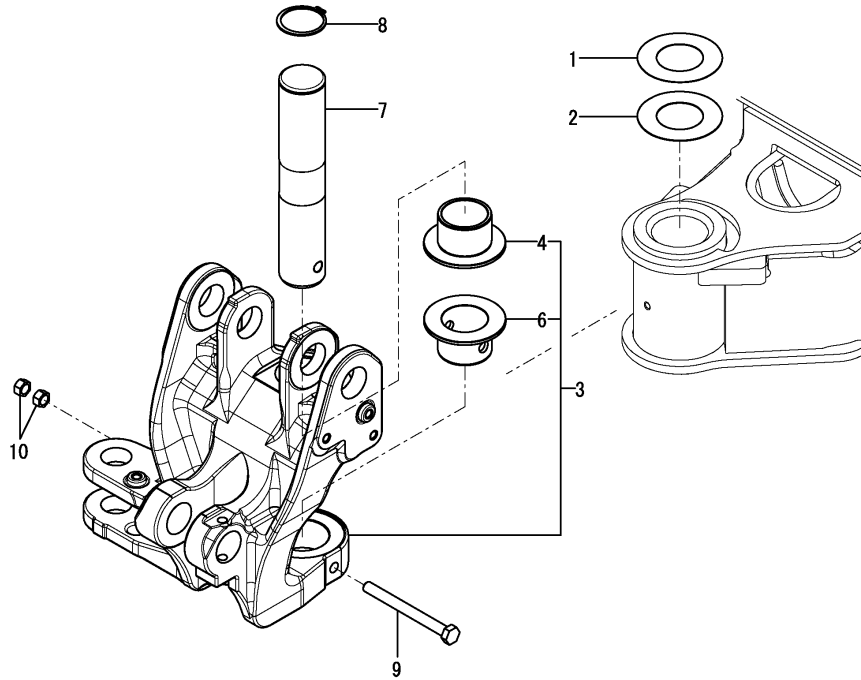


No.	Lev.	Parts No.	Description	Q'ty						I	R
				(A)	(B)	(C)	(D)	(E)	(F)		
1	1	172A52-77800	HOSE	1	1	1	1	1	1		
2	1	172A89-77810	HOSE P602YY075	1	1	1	1	1	1		
3	1	172A47-77820	JOINT, GREASE	4	4	4	4	4	4		
7	1	24761-020000	NIPPLE, GREASE PT1/8	2	2	2	2	2	2		

Fig.134. BOOM BRACKET

(A)=VIO25-6A P(US)  
 (B)=VIO25-6A C(US)  
 (C)=VIO25-6A P(AS)

(D)=VIO25-6A C(AS)  
 (E)=VIO25-6A P(NZ)  
 (F)=VIO25-6A C(NZ)

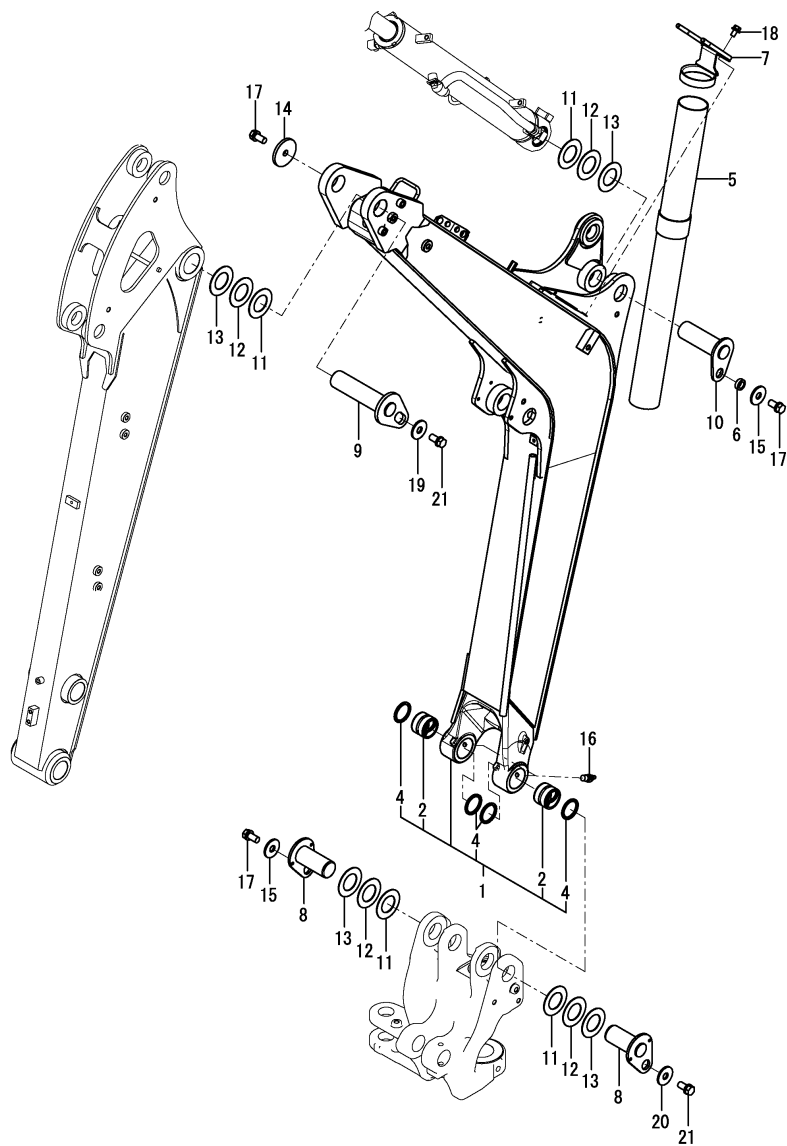


No.	Lev.	Parts No.	Description	Q'ty						I	R
				(A)	(B)	(C)	(D)	(E)	(F)		
1	1	172175-81700	SHIM	1	1	1	1	1	1		
2	1	172175-81710	SHIM	1	1	1	1	1	1		
3	1	172B16-82300	BRACKET ASSY,BOOM	1	1	1	1	1	1		
4	2	172142-82310	BUSH 60X50	1	1	1	1	1	1		
6	2	172458-82320	BUSH 60X50	1	1	1	1	1	1		
7	1	172B16-82350	PIN,60X315.2	1	1	1	1	1	1		
8	1	22242-000600	RING, 60	1	1	1	1	1	1		
9	1	26206-141502	BOLT, M14X150 PLATED	1	1	1	1	1	1		
10	1	26716-140002	NUT, M14	2	2	2	2	2	2		

Fig.135. BOOM

(A)=VIO25-6A P(US)  
 (B)=VIO25-6A C(US)  
 (C)=VIO25-6A P(AS)

(D)=VIO25-6A C(AS)  
 (E)=VIO25-6A P(NZ)  
 (F)=VIO25-6A C(NZ)



No.	Lev.	Parts No.	Description	Q'ty						I	R
				(A)	(B)	(C)	(D)	(E)	(F)		
1	1	172B16-81100	BOOM ASSY	1	1	1	1	1	1		1
2	2	172168-72400	BUSH 45X55X40	2	2	2	2	2	2		
4	2	172168-81410	SEAL, DUST	4	4	4	4	4	4		
4A	1	172437-03432	LABEL, STEERING	1	1	1	1	1	1		2
4B	1	172437-03461	LABEL, BOOM	2	2	2	2	2	2		2
4C	1	172472-03241	LABEL, PIN US	1	1	1	1	1	1		2
4D	1	172B03-04400	LABEL,WARNING HITCH	1	1	1	1	1	1		2
4E	1	172B03-04410	LABEL,SAND US	1	1	1	1	1	1		2
5	1	172B16-81450	HOSE ASSY,GUARD	1	1	1	1	1	1		
6	1	172164-81670	SPACER	1	1	1	1	1	1		
7	1	172458-81751-Y	CLAMP, PIPE	1	1	1	1	1	1		
8	1	172B16-81800	PIN ASSY,45X98	2	2	2	2	2	2		
9	1	172B16-81820	PIN ASSY,45X180	1	1	1	1	1	1		
10	1	172B16-81840	PIN ASSY,45X134	1	1	1	1	1	1		
11	1	172165-82550	SHIM	4	4	4	4	4	4		
12	1	172165-82560	SHIM	4	4	4	4	4	4		
13	1	172165-82570	SHIM	4	4	4	4	4	4		
14	1	172146-82910	SPACER	1	1	1	1	1	1		
15	1	22157-120000	WASHER, 12	2	2	2	2	2	2		
16	1	24761-050000	NIPPLE, GREASE C	2	2	2	2	2	2		
17	1	26013-120252	BOLT, M12X 25	3	3	3	3	3	3		
18	1	26014-080162	BOLT, M8X 16	2	2	2	2	2	2		
19	1	172444-82990	WASHER	1	1	1	1	1	1		
20	1	22157-120000	WASHER, 12	1	1	1	1	1	1		
21	1	26013-120252	BOLT, M12X 25	2	2	2	2	2	2		

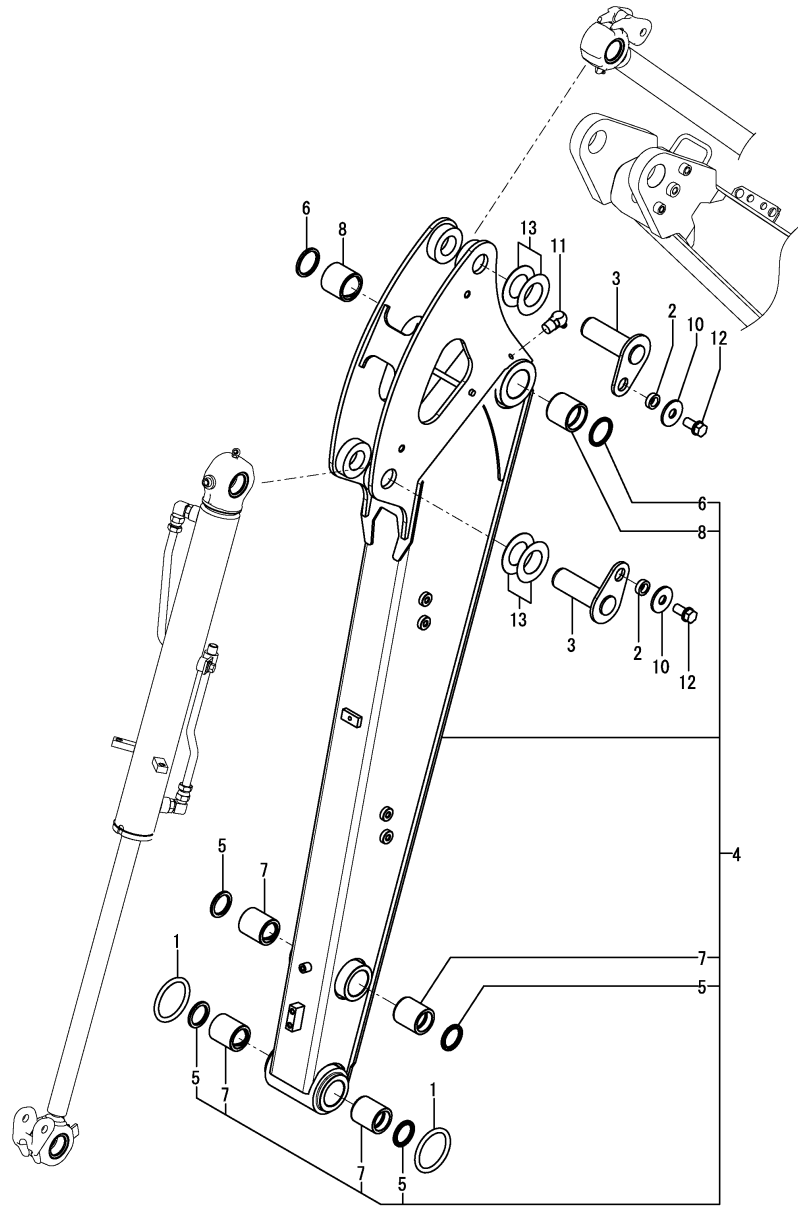
Remarks

- (1)Please use this part with following labels at the same time.  
 No.4A, 4B, 4C, 4D & 4E.
- (2)Not illustrated.

Fig.136. ARM

(A)=VIO25-6A P(US)  
 (B)=VIO25-6A C(US)  
 (C)=VIO25-6A P(AS)

(D)=VIO25-6A C(AS)  
 (E)=VIO25-6A P(NZ)  
 (F)=VIO25-6A C(NZ)



No.	Lev.	Parts No.	Description	Q'ty						I	R
				(A)	(B)	(C)	(D)	(E)	(F)		
1	1	172142-81620	O-RING	2	2	2	2	2	2		
2	1	172164-81670	SPACER	2	2	2	2	2	2		
3	1	172B16-81870	PIN ASSY,38X116	2	2	2	2	2	2		
4	1	172B16-82500	ARM ASSY,1400	1	1	1	1	1	1		1
5	2	172168-81270	SEAL, DUST	4	4	4	4	4	4		
6	2	172168-81410	SEAL, DUST	2	2	2	2	2	2		
7	2	172458-81630	BUSH	4	4	4	4	4	4		
8	2	172B16-81630	BUSH,50-55	2	2	2	2	2	2		
9A	1	172472-03261	LABEL, FINGER	1	1	1	1	1	1		2
9B	1	172472-03330	LABEL, LOCK PIN	1	1	1	1	1	1		2
10	1	22157-120000	WASHER, 12	2	2	2	2	2	2		
11	1	24761-040000	NIPPLE, GREASE B	1	1	1	1	1	1		
12	1	26013-120252	BOLT, M12X 25	2	2	2	2	2	2		
13	1	933171-29751	SHIM SET	2	2	2	2	2	2		

Remarks

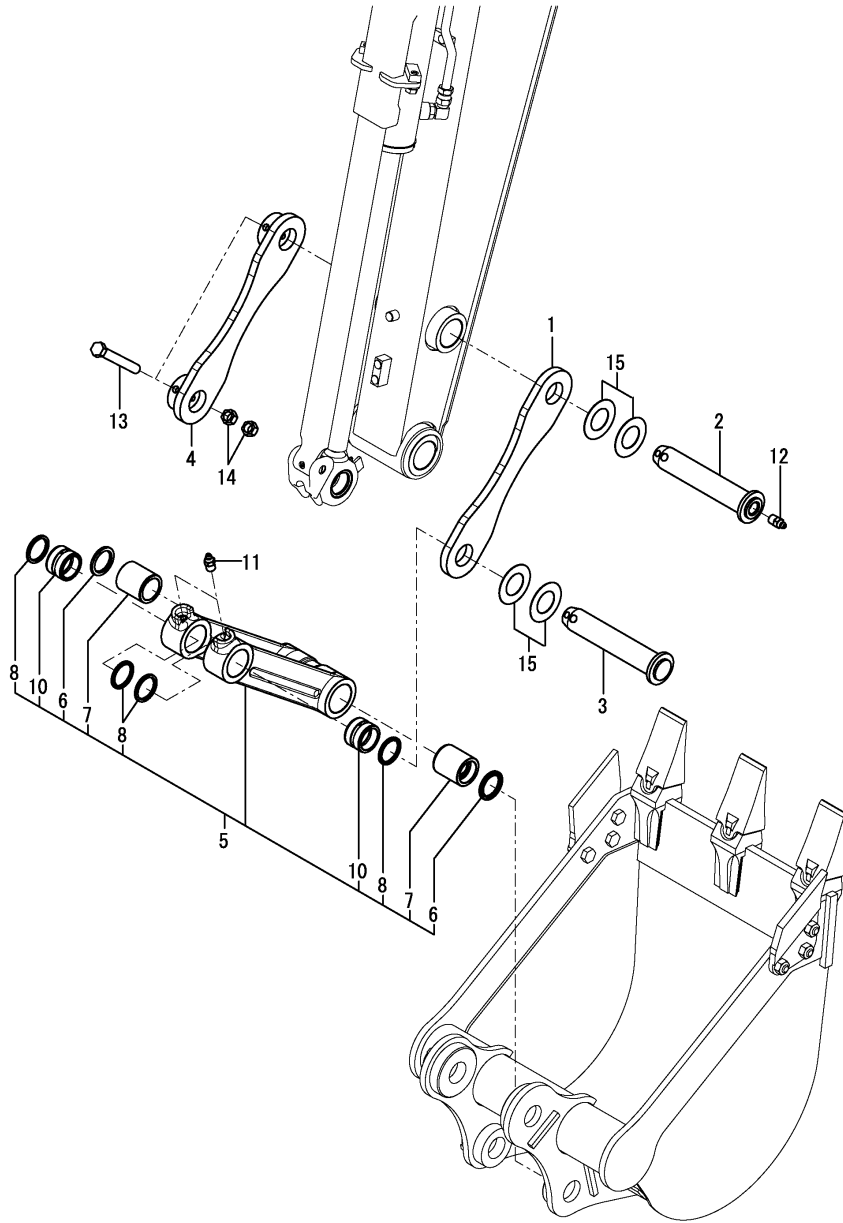
- (1)Please use this part with following labels at the same time.  
No.9A & 9B.
- (2)Not illustrated.



Fig.137. BUCKET ARM & LINK

(A)=VIO25-6A P(US)  
 (B)=VIO25-6A C(US)  
 (C)=VIO25-6A P(AS)

(D)=VIO25-6A C(AS)  
 (E)=VIO25-6A P(NZ)  
 (F)=VIO25-6A C(NZ)

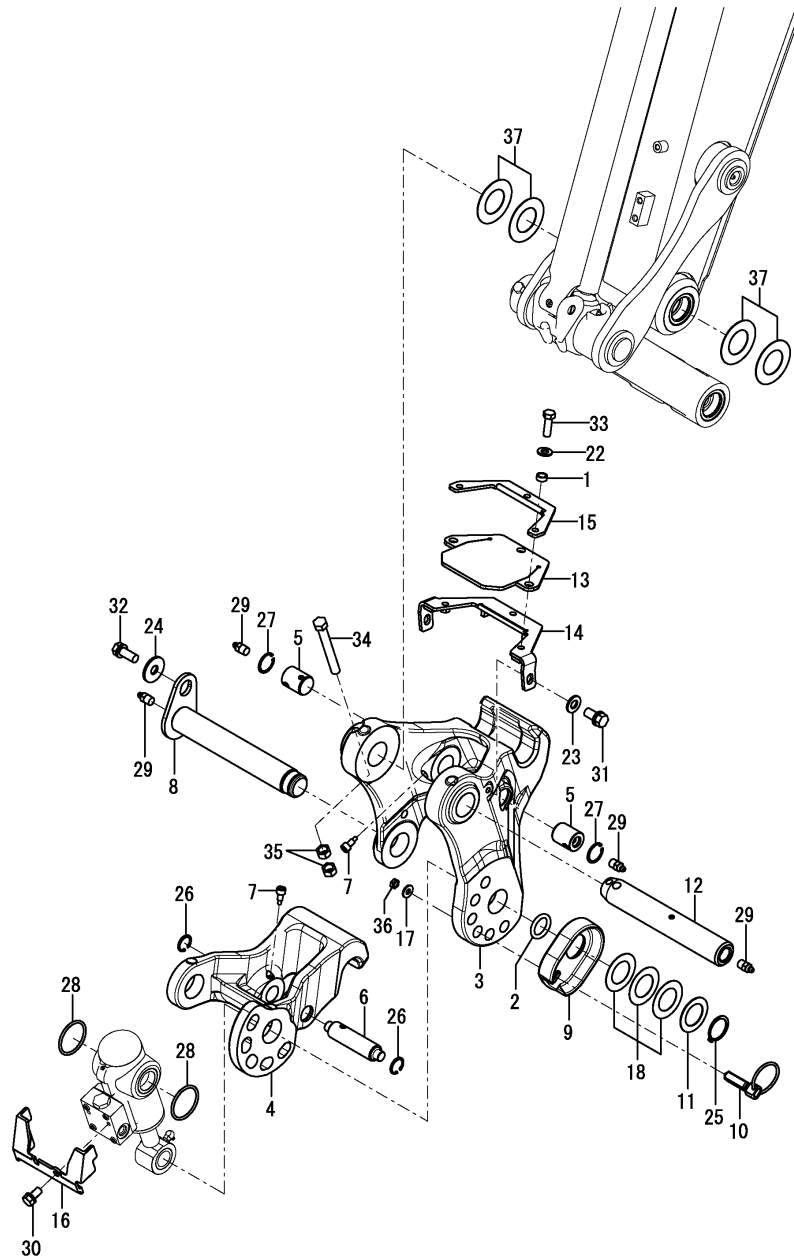


No.	Lev.	Parts No.	Description	Q'ty						I	R
				(A)	(B)	(C)	(D)	(E)	(F)		
1	1	172164-81820-Y	ARM, BUCKET	1	1	1	1	1	1		
2	1	172B03-81851	PIN ASSY,38X182 P	1	1	1	1	1	1		
3	1	172B03-81902	PIN ASSY,38X182 P A	1	1	1	1	1	1		
4	1	172458-82600-Y	ARM, BUCKET	1	1	1	1	1	1		
5	1	172B16-82700	LINK ASSY, BUCKET	1	1	1	1	1	1		
6	2	172168-81270	SEAL, DUST	2	2	2	2	2	2		
7	2	172458-81630	BUSH	2	2	2	2	2	2		
8	2	172122-82290	SEAL, DUST	4	4	4	4	4	4		
10	2	172168-84411	BUSH	2	2	2	2	2	2		
11	1	24761-020000	NIPPLE, GREASE PT1/8	2	2	2	2	2	2		
12	1	24761-020000	NIPPLE, GREASE PT1/8	1	1	1	1	1	1		
13	1	26116-100752	BOLT, M10X 75 PLATED	2	2	2	2	2	2		
14	1	26716-100002	NUT, M10	4	4	4	4	4	4		
15	1	933171-29751	SHIM SET	2	2	2	2	2	2		

Fig.138. QUICK COUPLER(BODY)

(A)=VIO25-6A P(US)  
 (B)=VIO25-6A C(US)  
 (C)=VIO25-6A P(AS)

(D)=VIO25-6A C(AS)  
 (E)=VIO25-6A P(NZ)  
 (F)=VIO25-6A C(NZ)

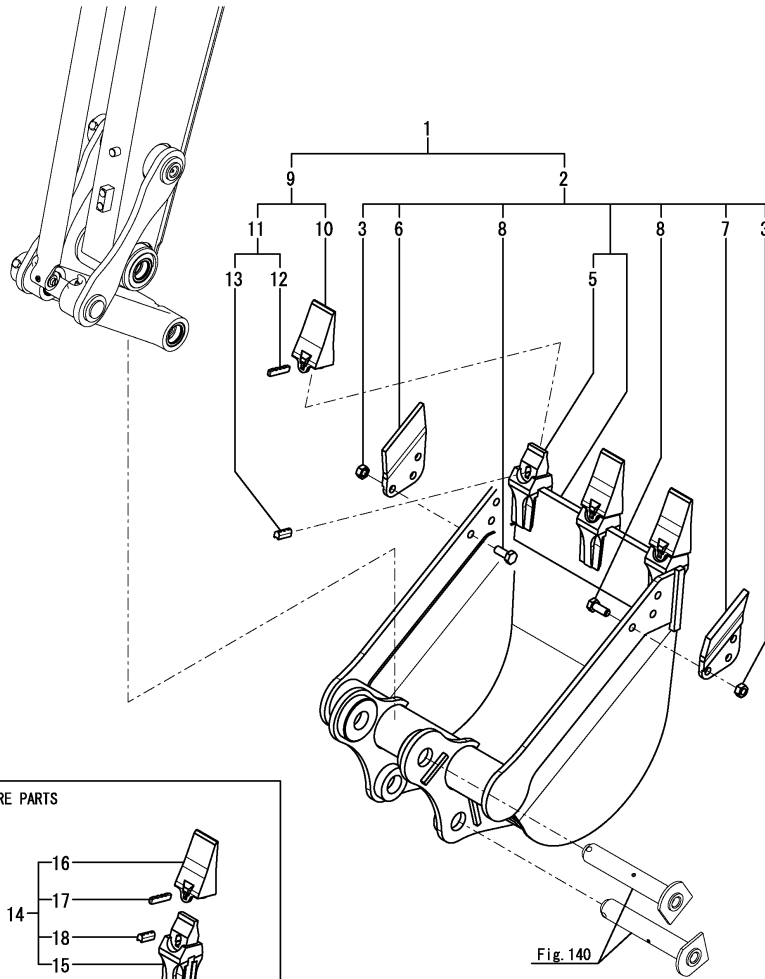


No.	Lev.	Parts No.	Description	Q'ty						I	R
				(A)	(B)	(C)	(D)	(E)	(F)		
1	1	172958-17121	COLLAR, 9X4	3	3			3	3		
2	1	172124-46200	O-RING	1	1			1	1		
3	1	172958-83102-Y	BRACKET	1	1			1	1		
4	1	172958-83111-Y	BRACKET	1	1			1	1		
5	1	172958-83120	PIN	2	2			2	2		
6	1	172958-83131	PIN	1	1			1	1		
7	1	172958-83140	BOLT	3	3			3	3		
8	1	172958-83150	PIN ASSY	1	1			1	1		
9	1	172958-83171-Y	PLATE, LOCK	1	1			1	1		
10	1	172958-83183	PIN ASSY, LOCK	1	1			1	1		
11	1	172960-83210	COLLAR	1	1			1	1		
12	1	172958-83220	PIN	1	1			1	1		
13	1	172958-83252	PLATE, RUBBER	1	1			1	1		
14	1	172958-83271-Y	GUARD ASSY	1	1			1	1		
15	1	172958-83281-Y	GUARD ASSY	1	1			1	1		
16	1	172958-83292-Y	COVER, HITCH	1	1			1	1		
17	1	172958-83330	WASHER	1	1			1	1		
18	1	172141-84601	SHIM	1	1			1	1		
22	1	22137-080000	WASHER, 8	3	3			3	3		
23	1	22137-100000	WASHER, 10	2	2			2	2		
24	1	22157-120000	WASHER, 12	1	1			1	1		
25	1	22242-000350	RING, 35	1	1			1	1		
26	1	22252-000250	RING, 25	2	2			2	2		
27	1	22252-000300	RING, 30	2	2			2	2		
28	1	24311-000480	O-RING, 1AP48.0	2	2			2	2		
29	1	24761-020000	NIPPLE, GREASE PT1/8	4	4			4	4		
30	1	26013-080162	BOLT, M8X 16	2	2			2	2		
31	1	26013-100202	BOLT, M10X 20	2	2			2	2		
32	1	26013-120302	BOLT, M12X 30	1	1			1	1		
33	1	26116-080202	BOLT, M8X 20 PLATED	3	3			3	3		
34	1	26116-100802	BOLT, M10X 80 PLATED	1	1			1	1		
35	1	26716-100002	NUT, M10	2	2			2	2		
36	1	26756-060002	NUT, LOCK M6	1	1			1	1		
37	1	933171-29751	SHIM SET	2	2			2	2		

Fig.139. BUCKET

(A)=VIO25-6A P(US)  
 (B)=VIO25-6A C(US)  
 (C)=VIO25-6A P(AS)

(D)=VIO25-6A C(AS)  
 (E)=VIO25-6A P(NZ)  
 (F)=VIO25-6A C(NZ)



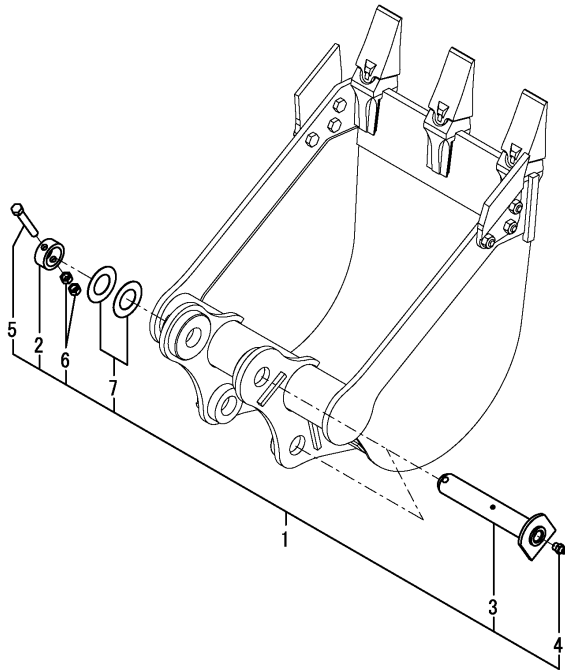
No.	Lev.	Parts No.	Description	Q'ty						I	R	
				(A)	(B)	(C)	(D)	(E)	(F)			
1	1	172B16-82400	BUCKET ASSY,490S							1	1	
2	2	172B16-82410	BUCKET ASSY,490S							1	1	
3	3	172B03-82180	NUT, M14X1.5							6	6	
5	4	172458-82231	ADAPTER							3	3	
6	3	172B03-82810	CUTTER, SIDE R							1	1	
7	3	172B03-82860	CUTTER, SIDE L							1	1	
8	3	26082-140352	BOLT, 14 X 35							6	6	
9	2	172448-82950	TOOTH KIT, POINT							3	3	
10	3	172448-82570	TOOTH, POINT							3	3	
11	3	172448-82960	PIN ASSY, LOCK							3	3	
12	4	172448-82580	PIN, LOCK							3	3	
13	4	172448-82590	RUBBER, PIN							3	3	
14	1	772458-82231	TOOTH ASSY							3	3	1
15	2	172458-82231	ADAPTER							3	3	
16	2	172448-82570	TOOTH, POINT							3	3	
17	2	172448-82580	PIN, LOCK							3	3	
18	2	172448-82590	RUBBER, PIN							3	3	

Remarks  
 (1)Spare parts.

Fig.140. BUCKET PIN

(A)=VIO25-6A P(US)  
 (B)=VIO25-6A C(US)  
 (C)=VIO25-6A P(AS)

(D)=VIO25-6A C(AS)  
 (E)=VIO25-6A P(NZ)  
 (F)=VIO25-6A C(NZ)

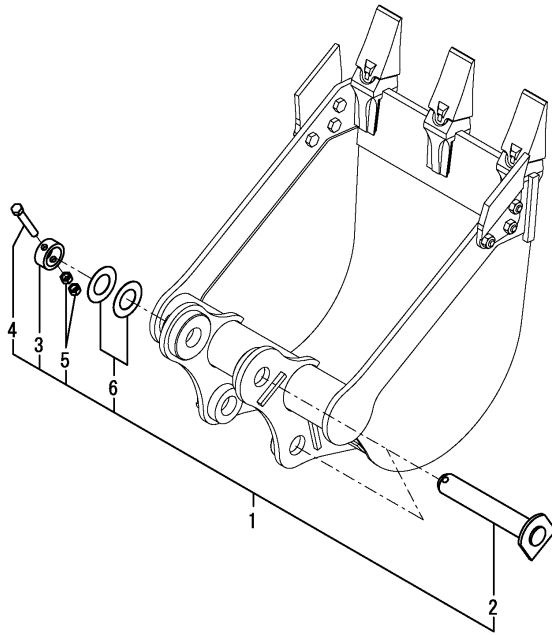


No.	Lev.	Parts No.	Description	Q'ty						I	R
				(A)	(B)	(C)	(D)	(E)	(F)		
1	1	172B03-08790	PIN KIT,BUCKET	2	2	2					
2	2	172164-81700	COLLAR	2	2	2					
3	2	172B03-81970	PIN ASSY,38X229	2	2	2					
4	2	24761-020000	NIPPLE, GREASE PT1/8	2	2	2					
5	2	26116-100652	BOLT, M10X 65 PLATED	2	2	2					
6	2	26716-100002	NUT, M10	4	4	4					
7	2	933171-29751	SHIM SET	2	2	2					

Fig.141. BUCKET PIN(QUICK COUPLER SPEC.)

(A)=VIO25-6A P(US)  
 (B)=VIO25-6A C(US)  
 (C)=VIO25-6A P(AS)

(D)=VIO25-6A C(AS)  
 (E)=VIO25-6A P(NZ)  
 (F)=VIO25-6A C(NZ)

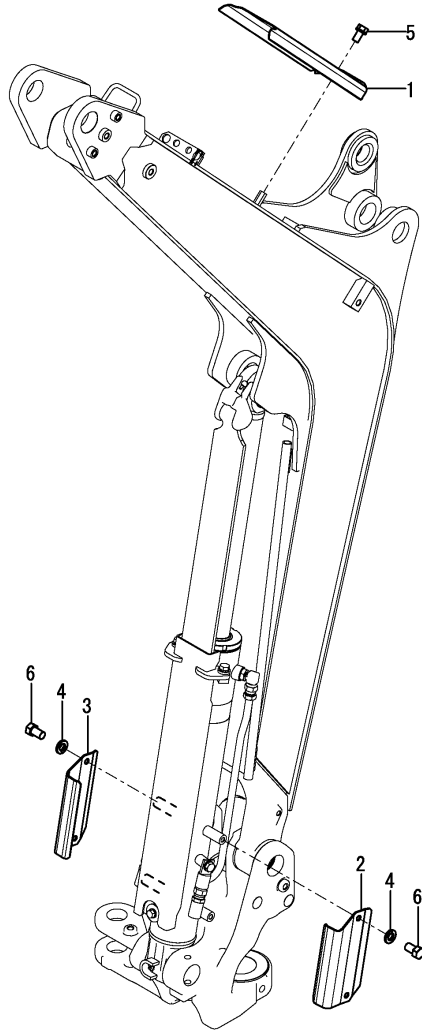


No.	Lev.	Parts No.	Description	Q'ty						I	R
				(A)	(B)	(C)	(D)	(E)	(F)		
1	1	172958-81590	PIN KIT, BUCKET			2	2	2	2		
2	2	172958-81600	PIN ASSY			2	2	2	2		
3	2	172164-81700	COLLAR			2	2	2	2		
4	2	26116-100652	BOLT, M10X 65 PLATED			2	2	2	2		
5	2	26716-100002	NUT, M10			4	4	4	4		
6	2	933171-29751	SHIM SET			2	2	2	2		

Fig.142. COVER(BOOM)

(A)=VIO25-6A P(US)  
 (B)=VIO25-6A C(US)  
 (C)=VIO25-6A P(AS)

(D)=VIO25-6A C(AS)  
 (E)=VIO25-6A P(NZ)  
 (F)=VIO25-6A C(NZ)

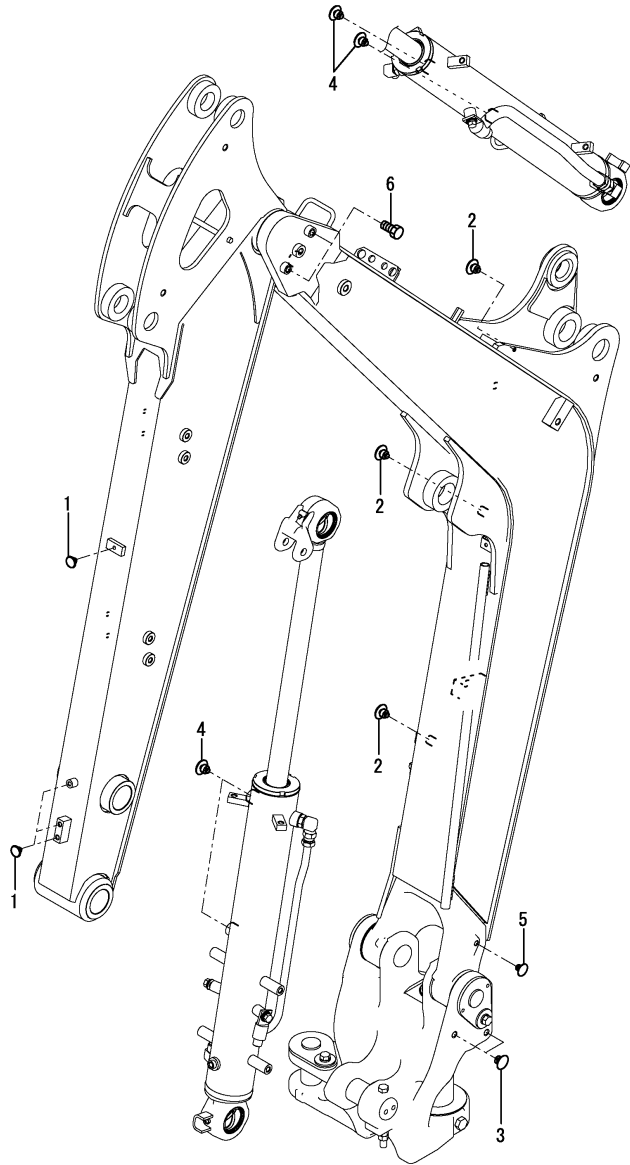


No.	Lev.	Parts No.	Description	Q'ty						I	R
				(A)	(B)	(C)	(D)	(E)	(F)		
1	1	172456-61964-Y	COVER, BOOM	1	1	1	1	1	1		
2	1	172B16-72100	COVER,BOOM CYL L	1	1	1	1	1	1		
3	1	172B16-72110	COVER,BOOM CYL R	1	1	1	1	1	1		
4	1	22217-100000	WASHER, SPRING 10	4	4	4	4	4	4		
5	1	26013-080162	BOLT, M8X 16	2	2	2	2	2	2		
6	1	26116-100162	BOLT, M10X 16 PLATED	4	4	4	4	4	4		

Fig.143. PLUG(IMPLEMENT)

(A)=VIO25-6A P(US)  
 (B)=VIO25-6A C(US)  
 (C)=VIO25-6A P(AS)

(D)=VIO25-6A C(AS)  
 (E)=VIO25-6A P(NZ)  
 (F)=VIO25-6A C(NZ)



No.	Lev.	Parts No.	Description	Q'ty						I	R
				(A)	(B)	(C)	(D)	(E)	(F)		
1	1	172444-17660	CLIP, TREE	4	4	4					1
2	1	172444-17660	CLIP, TREE	3	3	3	3	3	3		
3	1	172176-68210	CLIP, TREE	2	2	2	2	2	2		
4	1	172183-81160	CLIP, TREE	4	4	4	4	4	4		
5	1	172183-81160	CLIP, TREE	2	2	2	2	2	2		
6	1	26116-120162	BOLT, M12X 16 PLATED	2	2	2	2	2	2		

Remarks

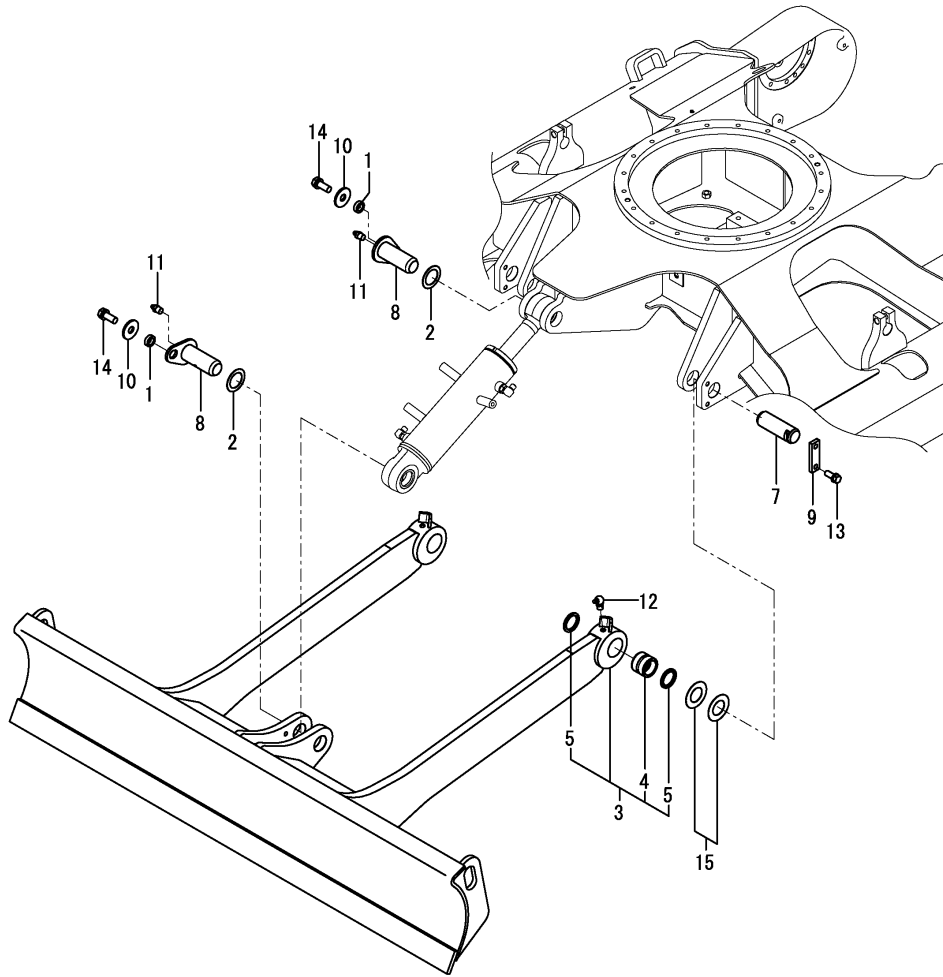
(1)Not applied for quick coupler specification.

N:Old  $\xrightarrow{\text{Yes}}$  New, Q:Old  $\xrightarrow{\text{No}}$  New, R:Old  $\xrightarrow{\text{Yes}}$  New, S:Old  $\xrightarrow{\text{No}}$  New, W:Add, Z:Discontinued, F:Interchangeable by set, K:Q'ty Change

Fig.144. BLADE

(A)=VIO25-6A P(US)  
 (B)=VIO25-6A C(US)  
 (C)=VIO25-6A P(AS)

(D)=VIO25-6A C(AS)  
 (E)=VIO25-6A P(NZ)  
 (F)=VIO25-6A C(NZ)



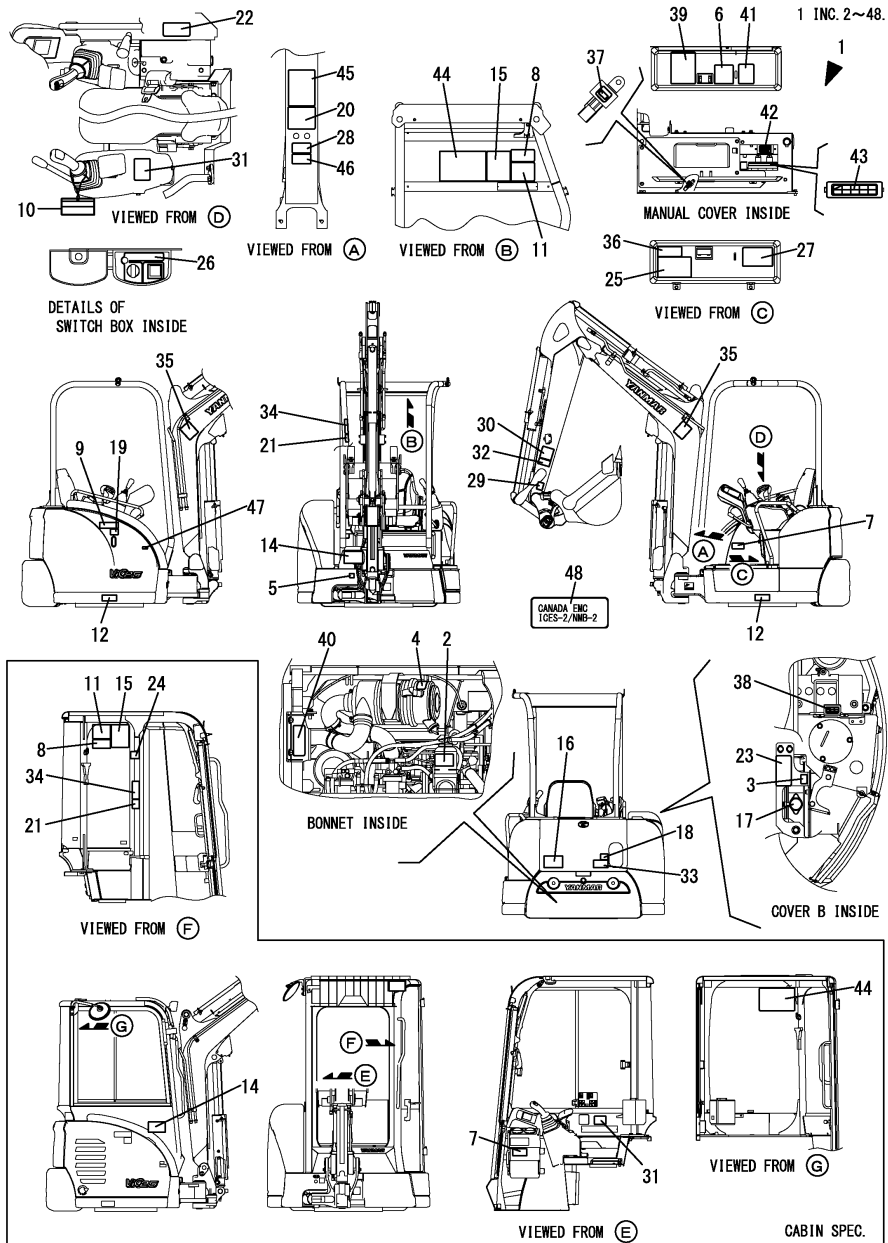
No.	Lev.	Parts No.	Description	Q'ty						I	R
				(A)	(B)	(C)	(D)	(E)	(F)		
1	1	172164-81670	SPACER	2	2	2	2	2	2		
2	1	172112-87860	SHIM	2	2	2	2	2	2		
3	1	172B16-94100	BLADE ASSY	1	1	1	1	1	1		
4	2	172168-72240	BUSH	2	2	2	2	2	2		
5	2	172168-81270	SEAL, DUST	4	4	4	4	4	4		
7	1	172422-94210	PIN	2	2	2	2	2	2		
8	1	172142-94241	PIN	2	2	2	2	2	2		
9	1	172124-94310-5	PLATE, LOCK	2	2	2	2	2	2		
10	1	22157-120000	WASHER, 12	2	2	2	2	2	2		
11	1	24761-020000	NIPPLE, GREASE PT1/8	2	2	2	2	2	2		
12	1	24761-040000	NIPPLE, GREASE B	2	2	2	2	2	2		
13	1	26013-100252	BOLT, M10X 25	4	4	4	4	4	4		
14	1	26013-120302	BOLT, M12X 30	2	2	2	2	2	2		
15	1	933171-29751	SHIM SET	2	2	2	2	2	2		



Fig.145. LABEL KIT(FOR CANADA)(OPTIONAL)

(A)=VIO25-6A P(US)  
 (B)=VIO25-6A C(US)  
 (C)=VIO25-6A P(AS)

(D)=VIO25-6A C(AS)  
 (E)=VIO25-6A P(NZ)  
 (F)=VIO25-6A C(NZ)



No.	Lev.	Parts No.	Description	Q'ty						I	R
				(A)	(B)	(C)	(D)	(E)	(F)		
1	1	172B16-03020	LABEL KIT,CA VIO25-6	1	1						
2	2	172A37-03150	LABEL,SUB-TANK CA	1	1						
3	2	172A37-03160	LABEL,ANTI-FREEZE CA	1	1						
4	2	172A37-03180	LABEL J, AIR CLEANER	1	1						
5	2	172A37-03190	LABEL, GREASE	1	1						
6	2	172A37-03220	LABEL,ADJUST CRAWLER	1	1						
7	2	172A37-03231	LABEL,MANUAL CA.	1	1						
8	2	172A37-03241	LABEL,SLOPE CA.	1	1						
9	2	172A37-03250	LABEL,RESERVOIR CA	1	1						
10	2	172469-03261	TAG ASSY, SERVICING	1	1						
11	2	172A37-03271	LABEL,TRANSPORT CA.	1	1						
12	2	172A37-03280	LABEL,GREASE CYL CA	2	2						
14	2	172A37-03290	LABEL,BATTERY CA	1	1						
15	2	172A37-03300	LABEL,NEWTRAL CA	1	1						
16	2	172A37-03310	LABEL,SWING AREA CA	1	1						
17	2	172469-03320	LABEL,RADIATOR CAP	1	1						
18	2	172A37-03330	LABEL,ENGINE COVER	1	1						
19	2	172469-03360	LABEL,OIL	1	1						
20	2	172A37-03360	LABEL,STERRING CA	1	1						
21	2	172A37-03370	LABEL,ROPS CA	1	1						
22	2	172A37-03400	LABEL,LEVER LOCK CA	1	1						
23	2	172A37-03410	LABEL,RADIATOR CA	1	1						
24	2	172A37-03420	LABEL,WINDOW CA	1	1						1
25	2	172A37-03430	LABEL,2 WAY CA	1	1						
26	2	172469-03480	LABEL,SWITCH	1	1						
27	2	172A37-03500	LABEL,SUPPORT CA	1	1						
28	2	172A37-03520	LABEL,PIN CA	1	1						
29	2	172A37-03530	LABEL,FINGER CA	1	1						
30	2	172469-03540	LABEL,OPERATION PIN	1	1						
31	2	172B16-04470	LABEL,PTO CA	1	1						
32	2	172A37-03680	LABEL,LOCK PIN CA	1	1						
33	2	172A37-03710	LABEL,ENGROOM CA	1	1						
34	2	172A37-03720	LABEL,SEAT BELT CA	1	1						
35	2	172A37-03730	LABEL,BOOM CA	2	2						
36	2	172B16-04110	LABEL, SPEC CA	1	1						
37	2	172B16-04310	LABEL,FUSE CA	1	1						
38	2	172B16-04320	LABEL,FUSE 3 CA	1	1						
39	2	172B16-04380	LABEL,OIL/WATER CA	1	1						
40	2	172B16-04390	LABEL,SILENCER CA	1	1						
41	2	172B16-04430	LABEL,GREASING CA	1	1						
42	2	172B16-04440	LABEL,FUSE BOX CA	1	1						
43	2	172B16-04460	LABEL, RELAY BOX CA	1	1						
44	2	172B16-04480	LABEL,LIFT CA	1	1						
45	2	172B03-04600	LABEL,WARNING HITCH	1	1						
46	2	172B03-04610	LABEL,SAND CA	1	1						
47	2	129942-07761	LABEL, FUEL OIL CAUT	1	1						
48	2	172B03-03230	LABEL,EMC	1	1						W

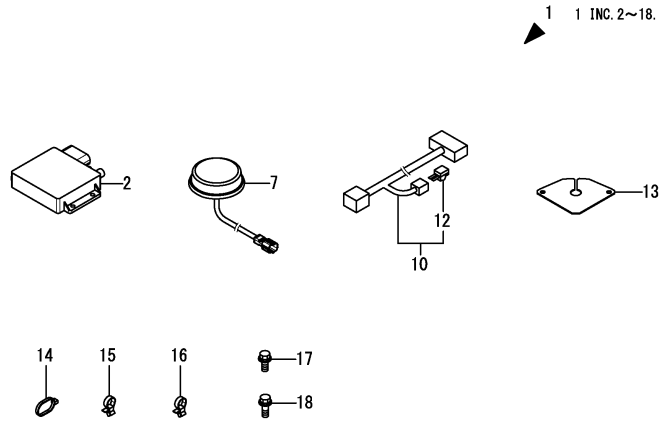
(A)=\*2016.10.) (B)=\*2016.10.)

Remarks  
 (1)Cabin specification.

Fig.146. REMOTE CONTROLLER KIT(OPTIONAL)

(A)=VIO25-6A P(US)  
 (B)=VIO25-6A C(US)  
 (C)=VIO25-6A P(AS)

(D)=VIO25-6A C(AS)  
 (E)=VIO25-6A P(NZ)  
 (F)=VIO25-6A C(NZ)



No.	Lev.	Parts No.	Description	Q'ty						I	R	
				(A)	(B)	(C)	(D)	(E)	(F)			
1	1	172B16-08590	CONTROLLER KIT,RM EX (A=*2014.12.) (B=*2014.12.) (C=*2014.12.) (D=*2014.12.)	1	1	1	1	1	1	1	W	1
2	2	1RF001-00024	CONTROLLER,MOBILE,O	1	1	1	1	1	1	1		1
7	2	172B11-16590	ANTENNA ASSY,MOBILE	1	1	1	1	1	1	1		
10	2	172B16-16620	HARNESS ASSY,GPS	1	1	1	1	1	1	1		
12	3	1E8235-84910	DIODE, 090 31	1	1	1	1	1	1	1		
13	2	172B16-17870	BRACKET, ANTENA	1	1	1	1	1	1	1		
14	2	194202-56460	BAND, 200	6	6	6	6	6	6	6		
15	2	1E8775-84120	CLAMP, BAND	1	1	1	1	1	1	1		
16	2	1E8490-84130	CLAMP, BAND	2	2	2	2	2	2	2		
17	2	26013-060122	BOLT, M6X 12	2	2	2	2	2	2	2		
18	2	26013-060162	BOLT, M6X 16	4	4	4	4	4	4	4		

Remarks  
 (1)Before installing, always set the unique information at an authorized dealer.  
 Carrier registration is required when replacing this part.  
 For more information, contact the service department of the dealer you purchased from.  
 Registration is required when replacing this part.  
 For more information, contact the service department of the dealer you purchased from.

## Parts No. Index

Parts No.	Fig. No.	Ref. No.
101720-55750	21	29
102103-55520	21	24
104200-55321	21	20
104200-55330	21	21
104200-55341	21	22
104200-55750	21	30
106990-44660	20	33
110250-55610	21	25
114110-07761	1	16
	147	16
119255-44660	16	11
119650-77911	26	32
119802-77200	26	30
119808-12520	8	2
	9	9 A
119808-12530	8	3
119808-12540	8	4
	9	9 D
119866-12530	9	9 B
119C10-77600	26	31
121250-49121	17	4
121256-44600	16	10
121257-55720	21	26
121257-55731	21	27
124064-55510	21	23
124450-44550	16	9
124465-44950	36	11
124766-59050	17	13
	14	14
	20	34
	21	34
		35
		36
		37
129051-12530	9	9 C
129211-77920	26	33
129263-44510	16	8
129335-55701	21	19
129612-12650	9	9 E
129612-52100	21	18
129927-44900	114	2
129942-07761	145	47
171081-55910	21	31
172068-28490	44	2
		9
172110-45050	44	5
		12
172110-76170	128	6
	129	4
172112-77361	126	8

Parts No.	Fig. No.	Ref. No.
172112-87860	144	2
172116-76381	117	10
172122-13381	17	6
172122-17190	70	9
172122-46590	46	16
172122-55061	114	35
172122-70350	98	15
172122-70630	99	13
172122-73430	98	24
172122-73470	98	41
	99	14
172122-73480	98	42
172122-79890	121	8
		9
172122-79930	115	28
	130	4
	131	24
172122-82290	137	8
172123-76121	95	22
	115	1
	118	1
	119	2
	123	7
	127	3
		11
	131	7
172124-17640	36	7
172124-46200	46	15
	138	2
172124-65450	74	10
172124-65480	74	13
172124-70380	99	8
172124-70390	99	9
		10
172124-76160	116	4
172124-94310-5	144	9
172125-03951	2	8
	8	4 A
	9	9 F
172126-11510	8	6
		10
	9	2
		6
	10	1
	11	1
	17	1
	22	10 A
	26	2
		3
		4

Parts No.	Fig. No.	Ref. No.
172126-11510	27	1
	29	1
	33	1
	36	1
	80	1
	116	9
	120	1
	125	24
	131	26
	148	1
172137-16560	17	12
	21	17
	22	22
		23
		55
	23	4
	26	17
	29	2
	31	1
172137-17631	36	5
172137-46210	28	4
	30	17
	65	1
	66	1
	148	11
172137-66230	36	13
	56	5
172137-76580	128	7
	129	5
172141-37320	40	4
	41	3
172141-41340	46	1
172141-41360	48	3
172141-41370	46	3
		6
	50	3
172141-50763-1	58	1
172141-57650	55	3
172141-70110	98	11
172141-70150	98	13
172141-70160	98	14
172141-70450	98	4
172141-73770	114	5
172141-76220	122	5
172141-76900	92	31
	93	31
	125	13
172141-76920	115	16
	117	13
172141-84601	138	18

Parts No.	Fig. No.	Ref. No.
172142-65160	76	3
172142-76181	91	30
	92	29
	93	29
	94	28
	122	3
172142-76950-Y	126	7
172142-81620	136	1
172142-82310	134	4
172142-94241	144	8
172146-62880	13	12
	114	15
172146-73730	114	6
172146-82910	135	14
172147-70120	98	12
172147-70280	99	5
172147-70331	99	7
172147-70390	99	11
172147-70500	98	16
	99	12
172147-76260	117	9
172148-70301	99	6
172151-73400	109	2
	110	2
172151-73420	109	3
	110	3
172151-73450	109	4
	110	4
172151-76050	111	19
172156-72400	97	2
172156-72770	97	4
172157-58830	111	1
172162-14200	20	4
172162-61850	34	3
	148	14
172162-76181	118	4
172164-76131	117	3
172164-76330	118	10
172164-81670	91	40
	135	6
	136	2
	144	1
172164-81700	140	2
	141	3
172164-81820-Y	137	1
172165-13220	80	2
	148	2
172165-47550	50	12
172165-53500	79	1
172165-62800	80	10

## Parts No. Index

Parts No.	Fig. No.	Ref. No.
172165-62800	148	16
172165-66220	80	13
	148	18
172165-71200	88	3
172165-76230	115	4
172165-76580	126	2
172165-82550	91	43
	135	11
172165-82560	91	44
	135	12
172165-82570	91	45
	135	13
172165-82580	95	29
172165-82590	95	30
172168-17601	36	3
172168-54750	54	3
172168-54760	54	4
172168-71101-4	88	1
172168-71951	98	5
172168-72240	144	4
172168-72400	135	2
172168-81270	136	5
	137	6
	144	5
172168-81410	135	4
	136	6
172168-84411	137	10
172173-76102	123	5
	131	3
172175-65641	13	14
	32	5
	80	6
	114	37
	148	9
172175-73700	114	3
172175-73710	114	4
172175-76750-Y	126	6
172175-81700	134	1
172175-81710	134	2
172176-07330	6	1
172176-68210	35	4
	77	6
	143	3
172179-13211	14	8
172183-03280	3	9
	4	14
172183-14250	20	13
172183-73510	98	27
172183-73520	98	28
172183-73560	98	29

Parts No.	Fig. No.	Ref. No.
172183-73570	98	30
172183-73660	98	31
172183-73670	98	69
172183-74350	103	5
	107	11
172183-76200	118	8
172183-81160	35	7
	66	6
		6 -1
	80	22
	143	4
		5
	27	27
172186-76390	127	9
172187-45760	46	12
172187-45870	46	13
172187-45880	46	14
172187-53321	53	2
172187-61421	69	2
172187-64900	30	18
172187-75500	114	12
172312-74790	98	70
172421-73400	98	39
172422-37310	40	3
172422-73130	89	15
	90	15
172422-73160	89	12
	90	12
172422-73170	89	21
		67
	90	21
		71
172422-73210	89	22
	90	22
172422-73220	89	23
	90	23
172422-73250	89	16
	90	16
172422-73280	89	24
	90	24
172422-73290	89	25
	90	25
172422-73500	89	26
	90	26
172422-73510	89	27
		68
	90	27
		72
172422-73520	89	28
	90	45

Parts No.	Fig. No.	Ref. No.
172422-73530	89	29
		30
	90	46
		47
172422-73540	89	31
	90	48
172422-73550	89	32
		40
	90	29
		49
172422-73560	89	33
	90	50
172422-73570	89	35
		69
	90	52
		73
172422-73580	89	36
	90	53
172422-73590	89	37
	90	54
172422-73610	89	38
	90	55
172422-73620	89	41
	90	30
172422-73630	89	42
	90	31
172422-73640	89	44
	90	33
172422-73650	89	46
	90	35
172422-73660	89	47
	90	36
172422-73670	89	48
	90	37
172422-73700	89	66
	90	70
172422-76100	89	61
	90	65
172422-76140	118	2
172422-76180	125	12
172422-78200	122	6
172422-94210	144	7
172423-73110	89	2
	90	2
172423-73530	99	16
172423-76120	100	3
172425-17630	36	6
172437-03242	3	3
	4	11
172437-03252	3	8

Parts No.	Fig. No.	Ref. No.
172437-03252	4	12
172437-03302	3	10
	4	16
	36	2 A
	68	11 A
172437-03312	3	11
	4	17
	77	1 A
	83	21 A
172437-03322	1	6
	76	7 A
	147	6
172437-03343	3	13
	4	19
	77	1 B
	83	21 B
172437-03352	1	7
	59	3 A
	60	3 A
	147	7
172437-03361	3	14
	4	20
	77	1 C
	81	23 A
172437-03372	3	15
	4	21
	77	1 D
	83	21 C
172437-03381	1	8
	73	6 A
	147	8
172437-03391	2	6
	16	5 B
172437-03402	1	9
	73	6 B
	147	9
172437-03432	1	11
	135	4 A
	147	11
172437-03441	3	25
	4	31
	77	1 E
	81	23 B
172437-03451	3	19
	4	25
	77	1 F
	81	23 C
172437-03461	1	12
	135	4 B
	147	12

## Parts No. Index

Parts No.	Fig. No.	Ref. No.
172437-03471	3	21
	4	27
	68	11 B
172437-03501	1	13
	147	13
172437-03511	1	14
	147	14
172437-03551	4	32
	81	23 D
172437-03601	3	28
	4	30
	69	7 D
172437-03610	2	9
172437-03620	2	10
172437-68520	84	4
172437-68640	81	10
172437-68720	86	18
172437-74711	111	4
172437-74720	111	6
172441-37302	40	1
172441-44320	49	1
172444-13210	17	2
172444-13220	17	3
172444-14130	22	13
172444-14200	20	5
172444-14270	20	23
172444-14410	20	31
172444-14450	20	6
172444-14460	20	7
172444-14470	20	8
172444-14480	20	9
172444-14490	20	10
172444-17620	59	2
	60	2
172444-17660	12	5
		6
	13	11
	35	1
		5
	143	1
		2
	148	10
172444-65190	74	4
172444-82990	135	19
172445-76153	118	3
172446-14250	20	28
172446-45820	11	4
172446-75250	114	7
172447-14160	20	3
172447-14330	114	10

Parts No.	Fig. No.	Ref. No.
172447-65710	68	11
172447-74221	104	2
	106	2
172447-74230	106	16
172447-75600	114	21
172448-65490	56	9
	73	14
172448-78460	122	9
172448-82570	139	10
		16
172448-82580	139	12
		17
172448-82590	139	13
		18
172448-82950	139	9
172448-82960	139	11
172450-73120	89	5
	90	5
172450-73130	89	6
	90	6
172450-73330	98	17
172450-73501	98	44
172450-73510	98	45
172450-73551	98	57
172450-73620	98	59
172450-73751	99	21
172450-73830	99	22
172450-73850	99	23
172450-73860	99	24
172450-73870	99	25
172450-77050	99	47
172450-77070	99	48
172450-77080	99	49
172450-77090	99	50
172450-77110	99	51
172450-77120	99	52
172450-77130	99	53
172450-77140	99	54
172450-77170	99	55
172450-77190	99	56
172450-77220	99	57
172455-29140	99	1
172455-46890	50	11
172455-53331	53	4
172455-61710	70	1
172455-75290	114	22
172455-75300	114	23
172455-76220	131	8
172456-13120	14	4
172456-13140	14	6

Parts No.	Fig. No.	Ref. No.
172456-13150	14	7
172456-13310	16	2
172456-14630	20	32
172456-53700	35	9
	53	5
172456-61100-2	57	5
172456-61964-Y	142	1
172456-67970	81	20
	82	33
172456-68100	81	2
	85	3
172456-68110	83	12
172456-68120	83	13
172456-68130	83	14
172456-68140	83	15
172456-68160	83	16
172456-68170	83	17
172456-68180	81	3
172456-68220	82	34
172456-68230	82	35
172456-68240	81	21
172456-68250	82	36
172456-68260	82	3
172456-68300-1	81	4
172456-68430	83	9
172456-68440	83	10
172456-68490	83	11
172456-68520	84	5
172456-68530	82	4
172456-68540	81	6
172456-68550	87	18
172456-68560	81	7
172456-68570	82	6
172456-68600-1	84	6
172456-68610	84	7
	85	10
172456-68620	82	7
172456-68630	81	9
172456-68640	82	8
172456-68650	82	9
	85	11
172456-68660	82	10
172456-68670	82	11
172456-68680	82	12
172456-68700	81	11
172456-68710	81	12
172456-68720	86	19
172456-68730	86	20
172456-68750	86	21
172456-68760	82	13

Parts No.	Fig. No.	Ref. No.	
172456-68770	82	14	
172456-68780	82	15	
	87	2	
172456-68790	82	16	
172456-68800	82	17	
	87	3	
172456-68810	80	21	
	148	24	
172456-68830	82	18	
172456-68840	82	19	
172456-68850	82	20	
172456-68860	82	21	
172456-68870	82	22	
172456-68880	82	23	
172456-68890	82	24	
172456-68930	82	25	
	86	22	
172456-68940-1	82	26	
172456-68950	82	27	
		38	
		84	17
		86	23
		87	19
172456-68990	84	9	
172456-69170-1	84	10	
172456-69180	84	11	
172456-69190	84	12	
172456-69200	84	13	
172456-69210	84	14	
172456-69220	84	15	
172456-69240	86	24	
172456-69260	86	25	
172456-69280	81	17	
172456-69290	81	18	
172456-69300-1	82	29	
172456-69310	82	30	
172456-69320	82	31	
172456-69330-1	87	1	
172456-69340-1	87	4	
172456-69350	87	5	
172456-69360-1	87	6	
172456-69370	87	7	
172456-69380	87	8	
172456-69390	87	9	
172456-69400	87	10	
172456-69410	87	11	
172456-69420	87	12	
172456-69430	87	13	
172456-69440-1	87	14	
172456-69450	87	15	

## Parts No. Index

Parts No.	Fig. No.	Ref. No.
172456-69460	87	16
172456-69470-1	87	20
172456-69480-1	87	21
172456-69490	87	22
172456-69520	82	39
	83	18
	84	18
	87	23
172456-69530	87	17
172456-69540	87	24
172456-69551	87	25
172456-69561	87	26
172456-69580	87	27
172456-69630	86	9
172456-69640	86	10
172456-69650	86	11
172456-69660	86	12
172456-69670	86	13
172456-69680	86	14
172456-69690	86	15
172456-69710	86	26
172456-69720-1	86	27
172456-69730	86	28
172456-69740	86	29
172456-69750	86	30
172456-69770	86	31
172456-69830	86	32
172456-69840	86	33
172456-69850-1	86	34
172456-69860	86	35
172456-69880	86	36
172456-69900	86	37
172456-69910	83	19
	86	38
172456-69920	86	39
172456-69930	86	40
172456-69940	86	41
172456-69950	86	42
172456-69970	85	4
172456-69980	85	5
172456-69990	85	6
172456-73351	98	18
172456-73360	98	19
172456-73370	98	20
172456-73390	98	22
172456-73420	98	23
172456-73430	98	25
172456-73440	98	26
172456-73510	98	46
172456-73520	98	47

Parts No.	Fig. No.	Ref. No.
172456-73540	98	49
172456-73570	98	58
172456-73980	98	35
172456-74440	103	27
172456-78200	121	1
172456-78210	121	2
172456-82400-3	95	28
172457-29100-2	37	1
172457-73730	98	32
172457-73740	98	33
172457-73770	98	34
172457-78221	123	15
172458-03220	3	7
	4	7
172458-03240	5	4
172458-14203	20	11
172458-14370	20	14
172458-16110	22	8
172458-16300	22	10
		10 B
172458-17400	148	3
172458-17410-4	148	5
172458-17420	148	4
172458-17551	36	2
172458-17700	36	9
172458-18850	16	5
	75	2
	80	5
	148	8
172458-18860	66	3
172458-37102	38	3
172458-37120	38	6
	39	3
172458-37131	38	7
	39	4
172458-37151	38	10
	39	7
172458-37172	39	8
172458-37500-2	42	1
172458-37570	42	3
172458-37580	42	4
172458-37590	42	5
172458-37700	38	15
	39	15
172458-38201	43	8
172458-38210	43	9
172458-38220	43	10
172458-38230	43	11
172458-45250	46	9
172458-45510-1	46	11

Parts No.	Fig. No.	Ref. No.
172458-50480-2	51	2
172458-50800-2	52	2
172458-50810-2	52	3
172458-54750	80	7
	148	12
172458-61261	76	1
172458-62110-1	63	1
172458-63470	36	12
172458-63900	80	11
	148	17
172458-64610	80	12
172458-65050	74	3
172458-73530	89	17
	90	17
172458-73540	89	18
	90	18
172458-73560	89	34
	90	51
172458-73620	89	39
172458-73621	89	39 -1
172458-73630	89	43
	90	32
172458-73640	89	45
	90	34
172458-73660	89	52
	90	56
172458-73670	89	19
	90	19
172458-73680	89	39 A
	90	38
172458-73690	89	39 B
	90	39
172458-73790	90	40
172458-73960	99	26
172458-73970	99	27
172458-73980	99	28
172458-73990	99	29
172458-74130	104	15
	105	15
	108	3
172458-74140	104	16
	105	16
	108	4
172458-74150	103	30
	104	4
	106	4
		19
	108	5
		17
172458-74160	103	31

Parts No.	Fig. No.	Ref. No.
172458-74160	104	5
	106	5
		20
	108	6
		18
172458-74170	104	17
	105	17
	108	8
172458-74230	103	32
	104	6
	105	3
	106	6
		21
	107	4
		27
	108	20
172458-74240	103	33
	104	7
	106	7
		22
	107	28
	108	21
172458-74250	103	34
	104	8
	106	8
		23
	107	6
		29
	108	22
172458-74260	103	35
	104	9
	105	4
	106	9
		24
	107	8
		30
	108	23
172458-74290	103	4
	104	18
	105	18
	107	10
172458-74310	99	30
172458-74320	99	31
172458-74330	99	32
172458-74360	103	6
	104	19
	105	19
	107	12
172458-74530	105	8
172458-74540	105	9

## Parts No. Index

Parts No.	Fig. No.	Ref. No.
172458-74550	105	10
172458-74630	103	38
	104	12
	106	12
		25
	108	10
		25
172458-74640	103	12
	104	22
	105	22
	107	14
172458-74670	105	11
	107	15
172458-74700	108	15
172458-74710	103	40
	106	14
		17
172458-74720	103	41
172458-74730	103	42
172458-74910	99	33
172458-75070	114	16
172458-76150	127	4
172458-76160	116	5
172458-76230	116	7
172458-76680-Y	126	5
172458-78571	131	11
172458-81630	136	7
	137	7
172458-81751-Y	135	7
172458-82231	139	5
		15
172458-82320	134	6
172458-82600-Y	137	4
172459-73740	99	20
172460-16700	22	24
172460-19180	56	7
172460-37750	38	16
	39	16
172460-76560	115	3
172460-76570	115	7
		9
		13
172462-03320	2	4
172463-03290	1	5
	147	5
172469-03261	145	10
172469-03320	145	17
172469-03360	145	19
172469-03480	145	26
172469-03540	145	30

Parts No.	Fig. No.	Ref. No.
172469-76110	125	8
172472-03141	3	5
	4	3
	69	7 C
172472-03230	5	3
172472-03241	5	5
	135	4 C
172472-03261	5	6
	136	9 A
172472-03290	30	2
172472-03300	30	3
172472-03330	5	7
	136	9 B
172472-68570	81	8
172472-68790	81	13
172478-17201	27	2
	29	8
172480-13530	80	16
172482-57620	55	2
172487-11400	7	3
172487-13091	14	2
172487-13101	14	3
172487-76410	115	2
172490-37320	40	9
	41	10
172490-74310	107	32
172490-74320	107	33
172490-74330	107	34
172498-12250	12	3
172499-74860	107	16
172511-17351	27	3
172519-63240	12	8
	13	13
	32	4
	49	4
		5
	67	4
		5
172538-17100	35	8
172538-19730	69	7 A
172538-53320	53	3
172638-73330	98	6
172638-73470	99	15
172644-76161	117	5
	123	8
172645-76570	117	11
172653-73200	12	10 -1
172725-16160	22	9
172730-05250	52	1
172730-61890	68	1

Parts No.	Fig. No.	Ref. No.
172730-75141	116	1
	117	2
		16
	123	1
		2
172732-65180	35	3
172734-14620	17	11
172734-65270	74	5
172738-47860	46	31
172956-78100	130	2
172956-78110	130	3
172958-03160	5	2
172958-07330	6	1 -1
172958-17111	30	1
172958-17121	138	1
172958-17140	30	7
172958-17150	30	8
172958-17160	30	9
172958-17170	30	10
172958-17180	30	11
172958-17190	30	12
172958-17200	30	13
172958-17210	30	14
172958-17220	30	15
172958-17230	30	14 -1
172958-17410	30	1 -1
172958-64500	30	21
172958-64600	30	21 -1
172958-72750	97	3
172958-72760	97	6
172958-72770	97	11
172958-72801-N	97	1
172958-72811-N	97	14
172958-72860	97	17
172958-72890	97	20
172958-72950	97	21
172958-72960	97	22
172958-72970	97	16
172958-72983-N	97	23
172958-73510	90	28
172958-73511	90	28 -1
172958-76102-Y	128	3
	129	3
172958-76130	128	4
172958-78200	128	8
	129	6
172958-78210	128	9
	129	7
172958-81590	141	1
172958-81600	141	2

Parts No.	Fig. No.	Ref. No.
172958-81904-Y	128	10
	129	9
172958-83102-Y	138	3
172958-83111-Y	138	4
172958-83120	138	5
172958-83131	138	6
172958-83140	138	7
172958-83150	138	8
172958-83171-Y	138	9
172958-83183	138	10
172958-83220	138	12
172958-83252	138	13
172958-83271-Y	138	14
172958-83281-Y	138	15
172958-83292-Y	138	16
172958-83330	138	17
172960-83210	138	11
172A20-78220	122	7
172A21-61600	35	6
172A21-68840	81	14
172A21-68930	84	8
172A21-68970	82	28
172A21-68990	81	15
172A21-69030	81	16
172A21-69520	82	32
172A23-11600	8	8
		12
	9	4
		8
172A23-13130	14	5
172A23-13530	17	8
172A23-68191	80	15
172A23-68500-2	80	19
	148	21
172A23-68550	80	30
172A23-68600	80	31
172A23-72043	91	1
	92	1
	93	1
	94	1
172A23-72052	91	2
	92	2
	93	2
	94	2
172A23-72081	91	4
	92	4
	93	4
	94	4
172A23-73140	89	4
	90	4

## Parts No. Index

Parts No.	Fig. No.	Ref. No.
172A23-73160	89	13
	90	13
172A23-73530	98	48
172A23-78090	115	22
172A24-72951-N	91	38
172A24-76900	115	12
172A25-68301-2	80	18
	148	20
172A25-68500	80	20
	148	22
172A25-76570	115	8
172A25-81900	95	25
172A29-03800	1	15
	147	15
172A36-03411	1	10
	73	6 C
	147	10
172A36-74750	111	7
172A36-74780	111	8
172A37-03150	145	2
172A37-03160	145	3
172A37-03180	145	4
172A37-03190	145	5
172A37-03220	145	6
172A37-03231	145	7
172A37-03241	145	8
172A37-03250	145	9
172A37-03271	145	11
172A37-03280	145	12
172A37-03290	145	14
172A37-03300	145	15
172A37-03310	145	16
172A37-03330	145	18
172A37-03360	145	20
172A37-03370	145	21
172A37-03400	145	22
172A37-03410	145	23
172A37-03420	145	24
172A37-03430	145	25
172A37-03500	145	27
172A37-03520	145	28
172A37-03530	145	29
172A37-03680	145	32
172A37-03710	145	33
172A37-03720	145	34
172A37-03730	145	35
172A38-03201	2	2
	16	8 A
172A38-03211	2	3
	16	5 A

Parts No.	Fig. No.	Ref. No.
172A46-14650	21	13
172A46-16360	22	10 C
172A46-46500	49	2
172A46-46530	49	3
172A46-72070	80	34
	91	3
	92	3
	93	3
	94	3
172A46-75500	114	13
172A47-13780	114	34
172A47-72840	91	37
	92	39
	93	39
	94	34
172A47-74260	107	9
172A47-74270	103	3
172A47-74380	105	5
172A47-74460	103	7
172A47-74560	103	9
172A47-74570	103	10
172A47-74580	103	11
172A47-74920	103	13
172A47-74930	103	14
172A47-74950	107	17
172A47-75460	107	39
172A47-75620	103	15
	107	36
172A47-75680	103	16
	107	18
172A47-75690	103	17
172A47-75720	107	19
172A47-76111	27	4
172A47-76180	118	6
172A47-76230	119	6
172A47-76310	119	8
172A47-76320	127	8
172A47-77820	133	3
172A47-78680	120	3
172A52-77800	133	1
172A64-17250	26	19
172A64-64920	18	10
	19	10
172A64-74590	109	9
	110	5
172A64-74600	109	11
	110	7
172A64-74610	109	12
	110	8
172A64-74620	109	13

Parts No.	Fig. No.	Ref. No.
172A64-74620	110	9
172A64-74630	109	14
	110	10
172A64-74640	109	15
	110	11
172A64-74650	109	16
	110	12
172A64-74660	109	17
	110	13
172A64-74670	109	7
172A64-74680	109	18
	110	14
172A64-74900	109	19
	110	17
172A64-74930	109	20
	110	18
172A64-76160	117	7
172A65-17150	29	7
172A65-64680	13	10
	125	2
172A66-03220	1	4
172A69-03220	3	23
	4	8
172A69-12100	13	1
172A69-12120	13	7
172A69-14230	20	21
172A69-46270	50	7
172A77-37370	38	5
	39	10
172A77-46050	50	1
172A78-14600	21	9
172A78-74650	109	22
	110	20
172A79-72570	91	36
	92	36
	93	36
	94	33
172A79-76110	29	15
172A79-78250	120	2
172A79-78620	127	13
172A82-62120	80	9
	148	15
172A86-03790	147	4
172A89-64740	71	11
172A89-64780	71	12
172A89-64790	71	13
172A89-64800	71	14
172A89-64810	71	15
172A89-64820	71	16
172A89-64830	71	17

Parts No.	Fig. No.	Ref. No.
172A89-64840	71	18
172A89-64850	71	19
172A89-64860	71	20
172A89-64870	71	21
172A89-64880	71	22
172A89-64890	71	23
172A89-64900	71	24
172A89-64910	71	25
172A89-64920	71	26
172A89-64950	71	5
172A89-77810	133	2
172B02-03300	147	19
172B02-64210	71	2
172B02-64250	71	9
172B02-64260	71	10
172B02-64270	71	2 A
172B02-64800	70	5
	71	1
172B02-65350	73	12
172B02-68810	35	2
		10
		11
172B02-69040	69	2 -1
172B02-73800	101	1
172B02-73810	101	2
172B02-73840	101	3
172B02-73850	101	4
172B02-73860	101	5
172B02-73870	101	11
172B02-73880	101	12
172B02-73890	101	11 -1
172B02-73900	101	10
172B02-73910	101	10 -1
172B02-74240	107	5
172B02-74250	107	7
172B03-03220	3	29
	4	9
172B03-03230	145	48
172B03-04400	5	8
	135	4 D
172B03-04410	5	9
	135	4 E
172B03-04600	145	45
172B03-04610	145	46
172B03-08200	5	1
172B03-08790	140	1
172B03-14230	20	22
172B03-16650	78	1
172B03-17254	26	20
172B03-17261	26	21



## Parts No. Index

Parts No.	Fig. No.	Ref. No.
172B03-17301	29	9
	32	1
172B03-17320	29	10
172B03-17331	33	3
172B03-17341	33	4
172B03-17350	29	9 A
	32	1 A
172B03-17370	29	10 A
172B03-17380	33	3 A
172B03-17390	33	4 A
172B03-17460	31	3
172B03-17470	31	4
172B03-17500	48	1
172B03-37100	38	1
172B03-37110	38	2
172B03-37120	39	1
172B03-37130	39	2
172B03-37300	41	1
172B03-37320	41	4
172B03-37700	38	14
	39	14
172B03-37780	38	17
	39	17
172B03-37840	38	18
	39	18
172B03-37850	38	19
	39	19
172B03-46010	47	1
172B03-46060	47	2
172B03-61540	56	1
172B03-61950	74	1
172B03-63110	67	1
172B03-63120	67	2
172B03-63610	67	1 -1
172B03-63620	67	2 -1
172B03-64960	70	6
172B03-65310	73	11
172B03-65320	73	4
172B03-65330	73	5
172B03-65391	73	13
172B03-66170	73	15
	74	17
	86	2
172B03-72900	96	23
172B03-73330	98	7
172B03-73340	98	8
172B03-74560	110	1
172B03-74590	109	10
	110	6
172B03-74660	109	6

Parts No.	Fig. No.	Ref. No.
172B03-74680	110	15
172B03-74720	112	2
172B03-74750	112	3
172B03-74770	112	8
172B03-74790	112	9
172B03-74860	112	4
172B03-74870	112	5
172B03-74880	112	6
172B03-74900	126	1
172B03-76010	116	2
	122	1
	123	3
	127	1
	128	1
	129	1
	131	1
172B03-76080	119	1
172B03-76170	125	10
172B03-76180	119	4
	127	6
172B03-76310	118	9
172B03-77900	126	9
172B03-78320	123	18
172B03-78330	123	19
172B03-78640	127	14
172B03-78760	131	12
172B03-79250	127	20
172B03-81851	137	2
172B03-81902	137	3
172B03-81970	140	3
172B03-82180	139	3
172B03-82810	139	6
172B03-82860	139	7
172B04-03980	147	18
172B04-46100	50	2
172B11-16590	146	7
172B11-17100	25	1
172B11-17110	25	2
172B11-17120	25	3
172B11-17130	25	4
172B11-17140	25	5
172B11-73600	100	1
172B11-73630	100	2
172B16-03020	145	1
172B16-03110	3	4
	4	2
172B16-03150	1	2
172B16-03160	1	3
172B16-03180	3	2
	4	4

Parts No.	Fig. No.	Ref. No.
172B16-03200	3	6
	4	5
172B16-03220	3	24
	4	10
172B16-03250	3	26
	4	13
172B16-03270	1	17
	147	17
172B16-03280	4	15
172B16-03310	3	12
	4	18
172B16-03320	2	5
172B16-03380	3	16
	4	22
172B16-03390	2	7
	73	8 A
172B16-03430	3	17
	4	23
172B16-03440	3	18
	4	24
172B16-03461	3	20
	4	26
172B16-03470	3	27
	4	28
172B16-03480	3	22
	4	29
	77	1 G
172B16-03570	147	2
172B16-03790	147	3
172B16-04110	145	36
172B16-04310	145	37
172B16-04320	145	38
172B16-04380	145	39
172B16-04390	145	40
172B16-04430	145	41
172B16-04440	145	42
172B16-04460	145	43
172B16-04470	145	31
172B16-04480	145	44
172B16-08130	1	1
172B16-08131	147	1
172B16-08170	2	1
172B16-08240	3	1
172B16-08270	4	1
172B16-08370	114	1
172B16-08390	20	1
172B16-08590	146	1
172B16-11300	7	1
172B16-11350	7	2
172B16-11510	8	1

Parts No.	Fig. No.	Ref. No.
172B16-11550	8	5
	9	1
172B16-11560	8	9
	9	5
172B16-11610	9	9
172B16-12140	12	1
172B16-12180	12	2
172B16-12200	10	2
172B16-12220	10	3
172B16-12300	12	4
172B16-12320	11	2
172B16-12350	11	3
172B16-13200	16	1
172B16-13210	16	1 A
172B16-13220	16	1 B
172B16-13401	16	3
172B16-13450	16	6
172B16-13471	17	7
172B16-13520	18	3
	19	3
172B16-13530	18	4
	19	4
172B16-13540	18	1
	19	1
172B16-13560	18	7
	19	7
172B16-13590	15	2
	18	9
	19	9
172B16-13650	18	5
		13
	19	5
		12
172B16-13660	18	14
	19	13
172B16-13670	18	6
		15
	19	6
		14
172B16-13680	18	16
	19	15
172B16-13691	18	11
172B16-13751	19	11
172B16-13800	16	7
172B16-13900	15	1
172B16-13950	15	3
172B16-13960	15	4
172B16-13970	15	5
172B16-13980	17	9
172B16-13990	17	10

## Parts No. Index

Parts No.	Fig. No.	Ref. No.
172B16-14050	21	1
172B16-14060	21	5
172B16-14080	20	17
172B16-14150	20	18
172B16-14190	20	20
172B16-14220	20	12
172B16-14350	20	24
172B16-14370	20	27
172B16-14400	20	30
172B16-16060	22	1
172B16-16070	22	2
172B16-16100	22	3
172B16-16111	22	4
172B16-16150	22	58
172B16-16200	23	1
172B16-16300	22	11
172B16-16340	22	12
172B16-16400	22	10 -1
172B16-16500	22	15
172B16-16541	26	5
172B16-16542	26	5 -1
172B16-16543	26	5 -2
172B16-16560	31	2
172B16-16600	29	3
172B16-16620	146	10
172B16-16660	29	6
172B16-16850	33	2
172B16-17100	28	2
172B16-17160	28	3
172B16-17170	28	1 -1
172B16-17190	22	25
172B16-17200	26	18
172B16-17350	29	11
	32	2
172B16-17500	29	12
172B16-17520	13	8
172B16-17570	80	3
	148	6
172B16-17600	29	13
172B16-17620	36	4
172B16-17660	36	8
172B16-17700	29	14
172B16-17830	34	1
172B16-17860	34	2
172B16-17870	146	13
172B16-17900	30	19
172B16-17920	31	5
172B16-19860	36	10
172B16-38100	43	1
172B16-38110	43	2

Parts No.	Fig. No.	Ref. No.
172B16-38120	43	3
172B16-38600	43	12
172B16-45100	46	2
172B16-45150	46	5
172B16-45180	46	8
172B16-45400	46	10
172B16-45450	48	2
172B16-45600	44	1
172B16-45610	44	3
172B16-45650	44	4
172B16-45690	48	5
172B16-45700	44	8
172B16-45710	44	10
172B16-45730	44	11
172B16-45801	45	1
172B16-46200	50	6
172B16-46310	50	8
172B16-46350	50	9
172B16-46400	50	10
172B16-50100	51	1
172B16-53310	53	1
172B16-54101	54	1
172B16-54102	54	1 -1
172B16-54103	54	1 -2
172B16-54530	54	5
172B16-57650	55	4
172B16-61010	57	1
172B16-61020	57	2
172B16-61030	57	3
172B16-61040	57	4
172B16-61100	59	1
172B16-61210	60	1
172B16-61310	61	1
172B16-61350	62	1
172B16-61390	58	2
172B16-61700	56	2
172B16-61760	56	4
172B16-61790	56	6
172B16-62160	63	2
172B16-62170	64	1
172B16-62200	63	3
172B16-62210	64	2
172B16-62220	63	3 -1
172B16-62250	63	4
	64	3
172B16-62270	63	6
	64	5
172B16-62801	26	27
172B16-62850	26	28
172B16-63140	67	3

Parts No.	Fig. No.	Ref. No.
172B16-63200	32	3
172B16-63500	72	1
172B16-63550	72	2
172B16-63640	67	3 -1
172B16-63650	26	29
172B16-63680	66	2
172B16-63700	66	5
172B16-63701	66	5 -1
172B16-63780	65	2
172B16-63790	65	3
172B16-63800	65	4
172B16-63801	65	4 -1
172B16-63900	66	2 -1
172B16-63930	65	2 -1
172B16-63940	65	3 -1
172B16-64030	70	3
172B16-64031	70	3 -1
172B16-64040	70	2
172B16-64041	70	2 -1
172B16-64080	69	3
172B16-64160	69	7
172B16-64180	69	5
172B16-64190	69	6
172B16-64201	68	2
172B16-64202	68	2 -1
172B16-64203	68	2 -2
172B16-64800	68	12
172B16-64891	68	4
172B16-64892	68	4 -1
172B16-64900	68	5
172B16-64910	68	6
172B16-64930	68	7
172B16-64940	68	8
172B16-64950	68	9
172B16-64960	68	10
172B16-64970	68	13
172B16-65100	73	2
172B16-65170	73	7
172B16-65200	73	8
172B16-65250	73	9
172B16-65280	73	27
172B16-65290	73	10
172B16-65300	79	2
172B16-65340	73	6
172B16-65350	79	3
172B16-65400	74	6
172B16-65420	74	8
172B16-65430	74	9
172B16-65450	74	11
172B16-65470	74	12

Parts No.	Fig. No.	Ref. No.
172B16-65600	75	1
172B16-65670	75	4
172B16-65700	73	2 -1
172B16-65840	76	5
172B16-65850	76	6
172B16-65860	76	2
172B16-65870	76	7
172B16-65900	74	14
172B16-65930	74	15
172B16-65970	74	16
172B16-66160	76	8
172B16-66300	77	1
172B16-67510	79	4
172B16-68000	80	14
172B16-68001	148	19
172B16-68020	84	1
172B16-68030	84	2
172B16-68040	83	1
172B16-68050	83	2
172B16-68060	83	3
172B16-68070	83	4
172B16-68080	83	5
172B16-68090	83	6
172B16-68100	83	7
172B16-68110	82	1
172B16-68120	85	1
172B16-68130	85	2
172B16-68140	83	8
172B16-68150	82	2
172B16-68160	84	19
172B16-68170	84	20
172B16-68180	84	3
172B16-68190	86	1
172B16-68200	86	6
172B16-68210	86	7
172B16-68220	86	8
172B16-68230	86	16
172B16-68240	86	17
172B16-68260	82	37
172B16-68270	84	16
172B16-68280	81	22
172B16-68290	85	7
172B16-68300	85	8
172B16-68310	85	9
172B16-68330	81	5
172B16-68800	148	23
172B16-68840	148	25
172B16-68910	148	26
172B16-71200	95	2
	96	2

## Parts No. Index

Parts No.	Fig. No.	Ref. No.
172B16-71210	96	3
172B16-71230	95	4
172B16-71250	95	3
172B16-71260	95	6
172B16-71280	95	9
172B16-71310	95	14
172B16-71320	95	15
172B16-71340	92	17 -1
	93	16 -1
172B16-72010	91	6
172B16-72020	91	9
172B16-72030	91	12
172B16-72040	91	15
172B16-72070	91	8
		11
172B16-72080	91	21
172B16-72090	91	22
	94	6
	95	16
172B16-72100	142	2
172B16-72110	142	3
172B16-72140	91	23
	96	4
172B16-72150	91	24
	96	5
172B16-72200	91	25
172B16-72210	91	26
172B16-72240	91	27
	92	6
	93	6
172B16-72250	91	5
172B16-72260	91	28
172B16-72270	124	1
172B16-72280	91	29
172B16-72301	92	5
172B16-72302	92	5 -1
172B16-72310	92	7
172B16-72320	92	8
	93	7
172B16-72330	92	11
	93	10
172B16-72340	92	14
	93	13
	95	17
172B16-72350	92	17
	93	16
172B16-72361	93	5
172B16-72362	93	5 -1
172B16-72370	93	21
172B16-72400	92	13

Parts No.	Fig. No.	Ref. No.
172B16-72400	93	12
	94	9
		12
172B16-72410	92	10
	93	9
172B16-72420	92	22
	93	22
172B16-72430	92	23
	93	23
	96	6
172B16-72460	92	24
	93	24
172B16-72470	92	25
	93	25
172B16-72500	94	5
172B16-72540	92	26
	93	26
	94	7
172B16-72550	94	8
172B16-72560	94	11
172B16-72570	94	14
172B16-72580	94	17
172B16-72610	94	22
172B16-72620	94	23
172B16-72650	96	1
172B16-72680	94	24
	95	20
172B16-72690	94	25
	95	21
172B16-72700	95	1
172B16-72720	94	26
172B16-72730	94	27
172B16-72750	96	7
172B16-72760	96	10
172B16-72770	96	13
172B16-72780	96	16
172B16-72800	92	37
	93	37
172B16-72830	92	38
	93	38
172B16-72860	95	8
	96	9
		12
172B16-72870	96	21
172B16-72880	96	22
172B16-72900	94	35
172B16-72930	94	36
172B16-72960	91	39
172B16-73101	89	1
172B16-73111	90	1

Parts No.	Fig. No.	Ref. No.
172B16-73130	89	3
	90	3
172B16-73140	89	10
	90	10
172B16-73150	89	11
	90	11
172B16-73160	89	14
	90	14
172B16-73300	98	1
172B16-73350	98	79
172B16-73360	98	9
172B16-73370	98	10
172B16-73380	98	21
172B16-73390	98	38
172B16-73400	98	40
172B16-73430	92	27
	93	27
172B16-73450	92	28
	93	28
172B16-73700	99	2
172B16-73710	99	17
172B16-73720	99	18
172B16-73730	99	19
172B16-74110	102	1
172B16-74150	108	1
172B16-74160	107	1
172B16-74180	106	1
172B16-74200	105	1
172B16-74210	104	1
172B16-74220	103	1
172B16-74230	103	28
172B16-74240	108	2
172B16-74250	108	16
172B16-74260	107	2
172B16-74280	106	3
172B16-74300	105	14
172B16-74310	105	2
172B16-74320	104	14
172B16-74330	104	3
172B16-74340	103	2
172B16-74350	103	29
172B16-74360	108	9
172B16-74370	108	24
172B16-74380	107	13
172B16-74400	113	5
172B16-74420	106	11
172B16-74440	104	21
	105	21
172B16-74450	111	2
172B16-74470	105	7

Parts No.	Fig. No.	Ref. No.
172B16-74480	104	11
172B16-74500	109	1
172B16-74510	109	5
172B16-74550	103	36
172B16-74570	105	13
172B16-74580	107	24
172B16-74650	113	1
172B16-74680	112	1
172B16-74700	111	3
172B16-74710	111	5
172B16-74760	125	1
172B16-74800	125	4
172B16-74920	107	25
172B16-74930	106	15
172B16-74940	107	26
172B16-74950	106	18
172B16-74960	107	35
172B16-74970	106	26
172B16-75301	114	36
172B16-75351	114	39
172B16-75400	114	8
172B16-75430	114	9
172B16-75450	114	18
172B16-75460	114	19
172B16-75470	20	26
	114	20
172B16-75501	114	14
172B16-76110	125	9
172B16-76171	119	3
172B16-76410	115	2 -1
172B16-76600	126	3
172B16-76620	126	4
172B16-78020	130	1
172B16-78030	68	14
172B16-78070	115	20
172B16-78080	115	21
172B16-78090	120	11
172B16-78110	115	23
172B16-78120	115	24
172B16-78130	115	25
172B16-78140	115	26
172B16-78150	115	27
172B16-78200	123	13
172B16-78210	123	14
172B16-78230	123	16
172B16-78240	123	17
172B16-78250	122	8
172B16-78280	120	12
172B16-78300	125	16
172B16-78310	125	17

# Parts No. Index

Parts No.	Fig. No.	Ref. No.
172B16-78320	125	18
172B16-78330	125	19
172B16-78340	125	20
172B16-78350	125	21
172B16-78370	126	16
172B16-78470	131	10
172B16-78710	120	4
172B16-78720	121	3
172B16-78730	121	4
172B16-78740	121	5
172B16-78750	124	2
172B16-78760	121	6
172B16-78770	121	7
172B16-78790	120	5
172B16-78800	124	5
172B16-78820	120	6
172B16-78840	120	7
172B16-78870	116	10
172B16-78900	116	11
172B16-78910	116	12
172B16-78920	116	13
172B16-78930	127	15
172B16-78950	127	16
172B16-78960	127	17
172B16-78970	127	18
172B16-78980	127	19
172B16-79400	131	13
172B16-79410	131	14
172B16-79420	131	15
172B16-79440	131	16
172B16-79460	131	17
172B16-79480	131	18
172B16-79490	131	19
172B16-79500	131	20
172B16-79510	131	21
172B16-79520	131	22
172B16-79530	131	23
172B16-79540	132	1
172B16-79550	132	2
172B16-79560	132	3
172B16-79570	132	4
172B16-79600	120	13
172B16-81100	135	1
172B16-81450	135	5
172B16-81630	136	8
172B16-81800	135	8
172B16-81820	135	9
172B16-81840	91	41
	135	10
172B16-81870	136	3

Parts No.	Fig. No.	Ref. No.
172B16-81920	95	26
172B16-81950	95	27
172B16-82210	91	42
172B16-82300	134	3
172B16-82350	134	7
172B16-82400	139	1
172B16-82410	139	2
172B16-82500	136	4
172B16-82700	137	5
172B16-94100	144	3
172M09-03480	83	20 A
183341-91800	80	12 -1
194145-04810	14	1
194151-57100	24	1
194202-56460	22	26
		56
		57
		59
	26	48
	30	20
	80	8
	146	14
	148	13
194630-42120	38	11
	39	11
	42	6
	26	24
194680-51670	26	24
194940-24350	55	1
198155-51290	26	23
198220-61480	59	4
198360-52160	25	6
198535-52110	26	9
198535-52120	26	10
198535-52130	26	11
198535-52140	26	12
1A1030-48250	40	5
	41	5
1A1040-56900	10	5
1A1380-62160	48	7
	74	2
1A6240-37360	98	2
	99	3
		4
1A6382-51510	26	8
1A7000-52820	22	18
1A7030-87411	36	15
1A7400-61250	18	17
	19	17
1A7410-87900	68	15
1A7500-51140	26	7

Parts No.	Fig. No.	Ref. No.
1A7500-51140	29	5
1A7522-52950	26	26
1A7611-86270	78	5
1A7611-86351	78	4
1A7805-04980	28	1
1A7880-51710	26	25
1A8060-84280	67	6 -1
1A8110-84210	67	6
1C6281-52310	10	4
	12	7
	48	6
	73	1
1C6900-06190	22	16
1C7100-99650	6	5
1D4103-18301	26	22
1D4180-22850	117	1
1E3030-78370	129	8
1E8235-84910	22	21
	26	16
	146	12
1E8490-84130	22	28
		29
	26	34
	36	14
	65	5
	78	3
	121	10
	146	16
	148	28
1E8665-05100	26	1
1E8775-84120	22	27
	31	6
	146	15
1E8915-84120	66	7
	78	2
1E9570-83900	26	13
1N1730-61190	69	1
1RF001-00024	146	2
22117-040000	46	17
22117-060000	73	19
22117-080000	46	18
	111	9
22117-100000	89	62
	90	66
22137-040000	29	17
22137-050000	22	30
	26	49
	48	8
22137-060000	10	6
	12	9

Parts No.	Fig. No.	Ref. No.
22137-060000	21	38
	26	35
		36
		37
	80	23
	114	40
	148	29
22137-080000	22	31
		32
		33
	23	5
	44	6
		13
	46	19
	50	13
	69	8
	74	21
	114	41
	138	22
22137-100000	7	7
	16	12
		13
		14
	18	18
	19	18
	20	35
	22	34
		35
		36
	23	7
	29	18
	36	16
	63	7
	64	6
	78	7
	91	32
	92	33
	93	33
	94	30
	124	4
	138	23
22137-120000	12	10
	58	3
	63	8
	148	30
22137-140000	114	42
22137-200000	50	14
22137-240000	111	10
22157-060000	22	37
	73	20

## Parts No. Index

Parts No.	Fig. No.	Ref. No.
22157-100000	59	5
	60	4
22157-120000	91	46
	95	31
	135	15
		20
	136	10
	138	24
	144	10
22190-120002	114	26
22212-080000	89	53
	90	57
22217-040000	29	19
22217-050000	22	38
	26	50
	125	5
22217-060000	11	5
		6
	22	39
	111	11
22217-080000	21	39
	22	40
	69	9
22217-100000	14	9
	36	17
	91	47
		48
	92	40
	93	40
	94	37
		38
	101	6
	142	4
22217-120000	77	2
	80	24
	148	31
22217-140000	42	12
	114	43
22217-160000	40	10
	41	11
	77	3
	79	5
22242-000200	50	15
22242-000250	42	7
	89	54
	90	58
22242-000300	38	12
	39	12
22242-000350	138	25
22242-000451	101	7

Parts No.	Fig. No.	Ref. No.
22242-000600	134	8
22252-000250	138	26
22252-000300	138	27
22252-000350	89	20
	90	20
22252-000520	89	55
	90	59
22252-000521	42	8
22252-000620	40	6
	41	6
22252-000750	40	7
	41	7
22272-000070	50	16
	56	10
	73	21
	74	22
22312-050100	103	18
22351-030028	30	16
22351-035040	50	17
22351-060016	89	56
	90	60
22351-060040	50	18
22372-080000	114	44
22417-160160	46	20
22417-200160	111	12
22417-200200	50	19
	74	23
		24
22417-200250	22	41
22487-080300	111	13
22853-300161	109	8
	110	16
22857-600160	73	22
22859-500160	71	8
22859-500200	71	8 -1
23000-013000	20	15
	116	14
	120	8
		9
		14
	122	10
	127	21
	131	25
23000-060000	8	13
	9	13
23000-070000	8	14
		15
	9	10
		11
23001-016000	120	10

Parts No.	Fig. No.	Ref. No.
23001-022000	36	18
	115	29
	116	15
	125	22
23001-025000	125	23
23001-041000	17	15
		16
23001-060000	115	30
23080-013000	20	36
23391-020000	131	5
23393-020000	131	6
23418-060000	21	32
23871-005000	97	31
23871-010000	111	14
	119	9
23871-020000	101	8
	119	10
24101-060024	98	71
24101-060044	98	72
24101-062054	42	9
24101-062064	41	8
24102-062054	42	10
24311-000060	103	19
24311-000100	89	49
24311-000110	90	41
24311-000120	104	23
	105	23
	108	11
24311-000160	17	5
24311-000200	103	43
24311-000250	111	15
24311-000320	111	16
24311-000480	138	28
24311-240100	21	33
24315-000050	107	20
24315-000070	89	7
		70
	90	7
		74
24315-000080	27	5
	29	16
	89	8
		50
		71
	90	8
		42
		75
	103	20
	105	12
	107	21

Parts No.	Fig. No.	Ref. No.
24315-000090	104	27
24315-000100	103	21
	104	28
24315-000110	89	57
		58
		72
		73
	90	61
		62
		76
		77
	103	22
		39
	104	13
		24
	105	24
	106	13
		28
	107	22
		37
	108	12
		26
	127	5
	128	5
24315-000120	89	59
		74
	90	63
		78
24315-000140	89	51
	90	43
	91	31
	92	30
	93	30
	94	29
	103	23
	107	38
	115	11
		17
	116	6
	117	6
		8
		12
		14
	122	4
	123	9
24315-000180	92	32
	93	32
	103	24
	115	6
		15

## Parts No. Index

Parts No.	Fig. No.	Ref. No.
24315-000180	117	4
	125	14
24315-000200	109	21
	110	19
	112	7
24315-000560	101	13
24315-000750	101	14
24321-000300	38	13
	39	13
24321-000400	89	63
	90	67
24321-000900	114	27
24321-001050	114	28
24325-000400	38	21
	39	21
24325-000550	89	9
		75
	90	9
		79
24325-000700	101	15
24341-000300	114	29
24550-025150	97	19
24761-020000	38	20
	39	20
	46	21
	50	5
	91	33
	133	7
	137	11
		12
	138	29
	140	4
	144	11
24761-040000	91	34
	92	34
	93	34
	94	31
	136	11
	144	12
24761-050000	54	6
	95	23
	97	32
	135	16
26013-060102	114	45
26013-060122	11	7
	15	6
	24	2
	26	38
	80	25
	114	46

Parts No.	Fig. No.	Ref. No.
26013-060122	146	17
	148	32
26013-060162	21	40
	26	39
		40
		41
	146	18
26013-060202	36	19
	80	35
26013-060302	44	15
	109	23
	110	21
26013-080122	22	42
		43
	23	6
	74	25
		26
26013-080162	15	7
	16	15
	17	17
		18
	20	37
	22	44
	26	42
	27	6
	46	22
	48	9
	70	7
	112	10
	113	2
	128	11
		12
	129	10
		11
	138	30
	142	5
26013-080202	7	4
	8	16
	9	12
	10	7
	11	8
	80	26
	148	33
26013-100162	22	45
		46
		47
	29	20
	68	16
	102	2
	114	47

Parts No.	Fig. No.	Ref. No.
26013-100202	14	10
	16	16
		17
		18
	18	19
	19	19
	20	38
	22	48
	28	5
	36	20
	46	23
	58	4
	78	8
	95	32
	113	3
	118	11
		12
	124	3
	138	31
	148	34
		35
26013-100252	14	11
		12
	16	19
	37	2
	46	24
	59	6
	60	5
	63	9
	64	7
	76	9
	80	27
	111	20
		21
	112	11
	119	11
	125	6
	144	13
	148	36
26013-100302	88	2
	89	64
	90	68
	98	78
26013-100402	38	24
	39	24
26013-100452	45	2
	113	4
26013-100552	7	5
	101	16
26013-100652	126	10

Parts No.	Fig. No.	Ref. No.
26013-120252	52	4
	58	5
	91	49
	135	17
		21
	136	12
26013-120302	63	10
	95	33
	126	11
	138	32
	144	14
26013-120352	89	65
	90	69
26013-120402	126	12
	148	37
26013-120452	126	13
26014-060162	22	49
	26	43
		44
		45
	29	21
26014-060202	26	46
		47
	47	3
		4
26014-080162	30	22
	68	17
	69	10
	114	30
	135	18
26014-080202	31	7
	34	4
	68	18
	100	4
	114	31
26014-080252	114	32
	128	13
	129	12
26014-100202	20	39
	56	11
		12
	66	8
	68	19
	70	8
	73	23
		25
	74	27
	75	5
	76	10
	79	6

## Parts No. Index

Parts No.	Fig. No.	Ref. No.
26014-100202	79	7
	126	14
26014-100252	20	40
	50	20
		21
	61	2
	62	2
	65	6
	68	20
	72	3
	73	24
	76	11
	115	18
26014-100302	20	41
	72	4
26022-050122	20	16
	111	17
26023-050102	59	7
26051-080002	46	25
26076-100162	91	35
	92	35
	93	35
	94	32
26076-100252	91	50
	92	41
	93	41
	94	39
26076-100352	101	9
26076-120302	77	4
26076-120352	80	28
	148	38
26076-160402	77	5
26082-140352	139	8
26106-080162	71	27
		28
26106-100122	51	3
	96	24
26106-100162	57	6
		7
		8
		9
		10
	71	29
26106-100252	71	30
26116-050102	22	50 -1
26116-050122	22	50
26116-050202	26	47 -1
26116-080202	138	33
26116-080254	12	11
	48	10

Parts No.	Fig. No.	Ref. No.
26116-080702	21	41
26116-100162	23	8
	91	51
	94	40
	142	6
26116-100404	46	26
26116-100454	46	26 -1
26116-100604	46	27
26116-100652	140	5
	141	4
26116-100752	137	13
26116-100802	138	34
26116-120162	143	6
26116-121302	91	52
26116-140302	114	48
26116-140352	114	49
26116-140652	42	13
26116-160452	79	8
26206-141502	134	9
26346-100002	148	39
26347-080002	44	7
		14
26347-100002	73	26
	74	28
26366-100002	7	6
26367-100002	20	42
26450-050102	104	25
	105	25
	108	13
26450-050182	104	26
	105	26
	108	14
26450-050302	103	25
26450-050452	90	44
	125	7
26450-050502	107	23
26450-060162	111	18
26450-060302	97	33
26450-060652	103	26
26450-080202	98	77
26450-120402	88	4
26476-050142	65	7
26559-050202	71	31
26587-040062	48	11
26587-040122	29	22
	36	21
	46	28
26657-080002	69	11
26711-080002	89	60
	90	64

Parts No.	Fig. No.	Ref. No.
26716-060002	11	9
		10
	22	51
		52
26716-080002	12	12
	22	53
	80	29
	103	44
26716-100002	14	13
	46	29
		29 -1
	137	14
	138	35
	140	6
	141	5
26716-120002	91	53
26716-140002	42	14
	134	10
26756-060002	138	36
26756-080002	48	12
26756-120002	12	13
27260-520000	42	11
41800-210040	1	18
41851-000110	95	24
	115	19
	116	3
	118	5
		7
		13
	119	5
		7
		12
	122	2
	123	4
		6
		10
	127	2
		7
		10
		12
	128	2
	129	2
	131	2
		4
		9
41851-000140	116	8
	117	15
		17
	123	11
		12

Parts No.	Fig. No.	Ref. No.
41851-000140	125	11
		15
41851-000180	100	5
	126	15
772458-82231	139	14
933110-54100	46	30
	48	13
933111-23600	38	22
	39	22
933111-73800	40	8
933147-03400	91	54
	94	41
933152-02710	114	33
933168-14170	91	55
	94	42
933170-01490	12	14
933171-13691	38	23
	39	23
	41	9
933171-15680	31	8
933171-15801	22	54
933171-29751	136	13
	137	15
	138	37
	140	7
	141	6
	144	15